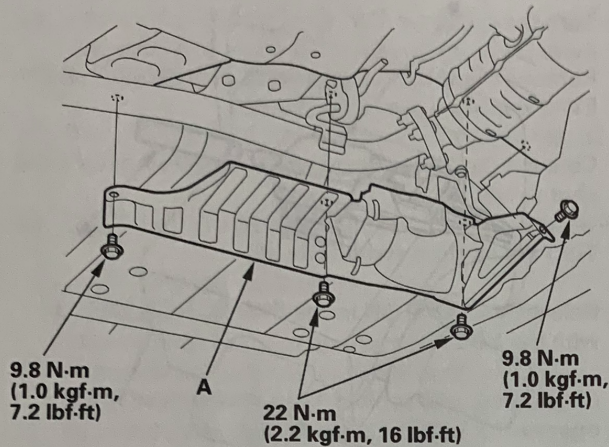


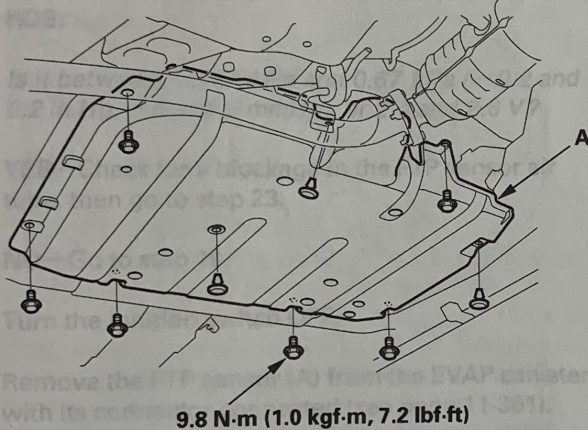
# EVAP System

## EVAP Canister Replacement

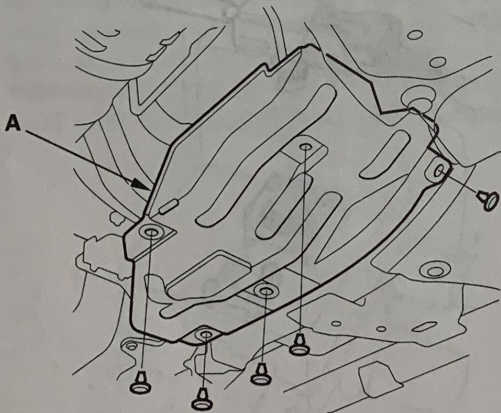
1. Remove the floor center cross-member stiffener (A).



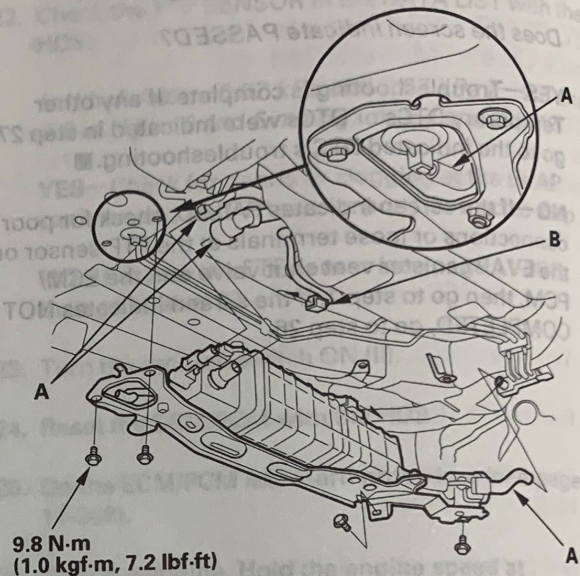
2. Remove the fuel tank cover (A).



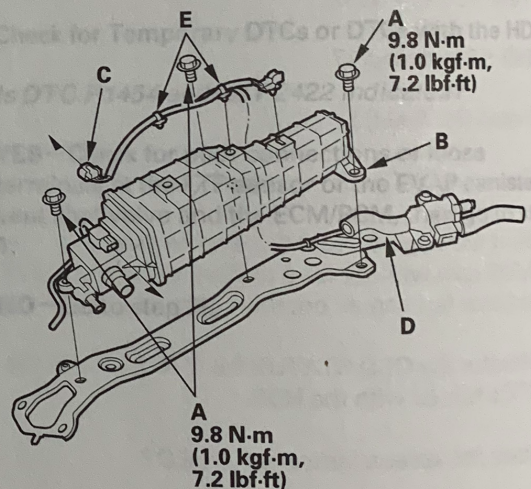
3. Remove the fuel pipe cover (A).



4. Remove the hoses (A), and disconnect the EVAP canister subharness 6P connector (B).



5. Remove the bolts (A).



6. Remove the EVAP canister assembly (B).
7. Disconnect the FTP sensor connector (C), hose (D), and clips (E).
8. Install the parts in the reverse order of removal.