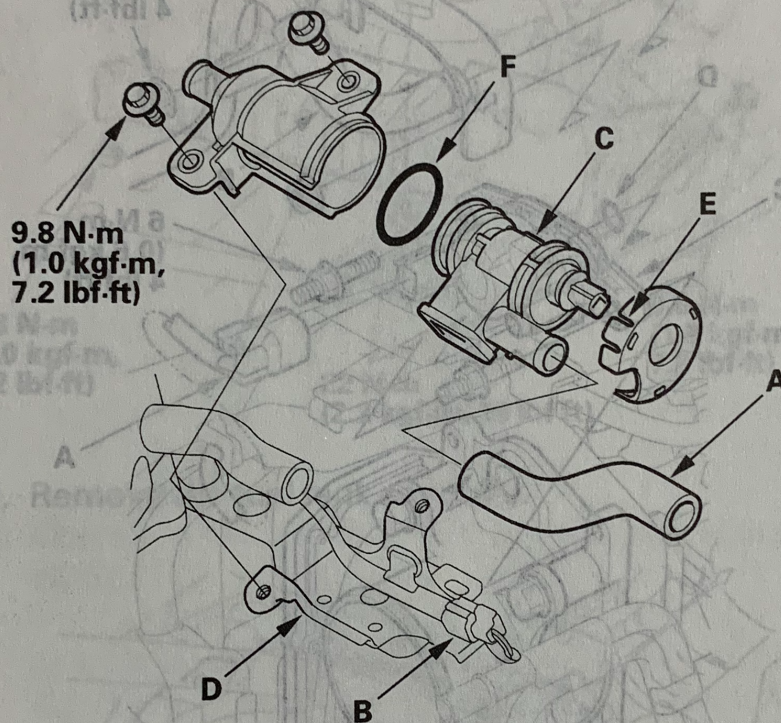


# EVAP System

## EVAP Canister Vent Shut Valve Replacement

1. Remove the EVAP canister (see page 11-360).
2. Remove the hose (A), and disconnect EVAP canister vent shut valve connector (B).



3. Remove the EVAP canister vent shut valve (C) from the canister bracket (D).
4. Pry the lock tabs (E) outward and remove the EVAP canister vent shut valve.

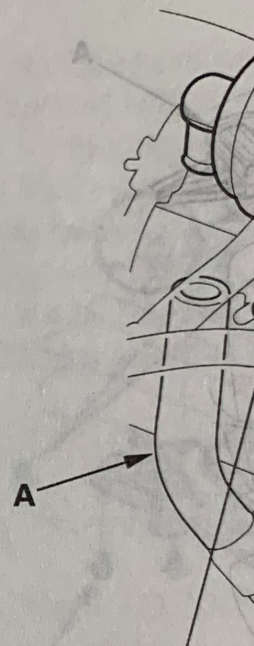
NOTE: Be careful not to damage the lock tabs.

5. Install the parts in the reverse order of removal with a new O-ring (F).

NOTE: Do not coat the O-ring with oil.

## EVAP Canist

1. Remove the air
2. Disconnect the



9.8 N·m  
(1.0 kgf·m)

3. Remove the E
4. Install the par