

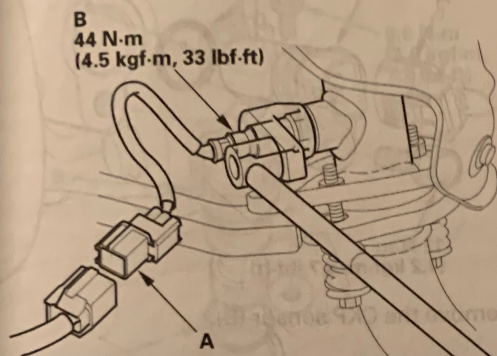


A/F Sensor Replacement

Special Tools Required

O2 sensor wrench, Snap-on YA8875, or SWR2, or equivalent, commercially available

1. Disconnect the A/F sensor connector (A), then remove the A/F sensor (B).



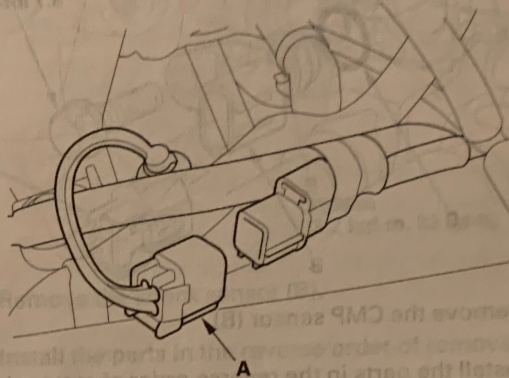
2. Install the parts in the reverse order of removal.

Secondary HO2S Replacement

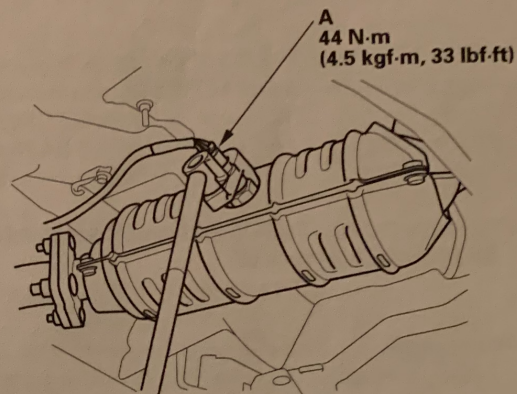
Special Tools Required

O2 sensor wrench, Snap-on YA8875, or SWR2, or equivalent, commercially available

1. Remove the center console (see page 20-71), and the rear heater upper duct.
2. Disconnect the secondary HO2S connector (A).



3. Remove the secondary HO2S (A).



4. Install the parts in the reverse order of removal.