

Power Relay Test

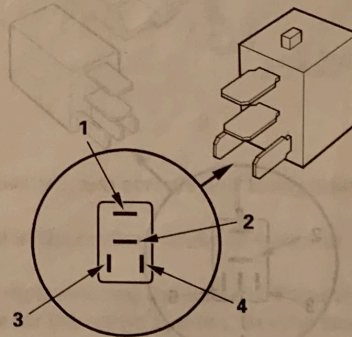
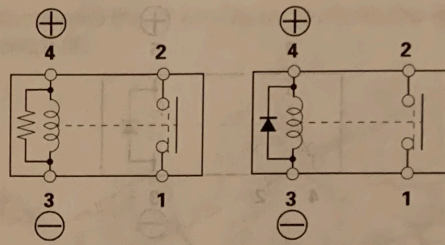
Use this chart to identify the type of relay, then do the test listed for it.

Relay	Test
A/C compressor clutch relay	Normally-open type
A/C condenser fan relay	
A/F sensor relay	
A/T reverse relay	
Blower motor relay	
Daytime running lights relay (Canada models)	
Fog light relay	
Headlight relay	
Horn relay	
PGM-FI main relay 1, 2	
Power window relay	
Radiator fan relay	
Rear window defogger relay	
Starter cut relay	
Taillight relay	
Throttle actuator control module relay	
Driver's door unlock relay	Five-terminal type
Low beam cut relay (Canada models)	
Door lock relay	
Passengers' doors/tailgate unlock relay	

Normally-open type

Check for continuity between the term

- There should be continuity between the No. 1 and No. 2 terminals when battery positive terminal is connected to the No. 4 terminal, and battery negative terminal is connected to the No. 3 terminal.
- There should be no continuity between the No. 1 and No. 2 terminals when power is disconnected.



(cont'd)