

Your Current Vehicle: 2008 Honda Fit

Rate this article: ★ ★ ★ ★ ★

Thermostat Replacement

NOTE

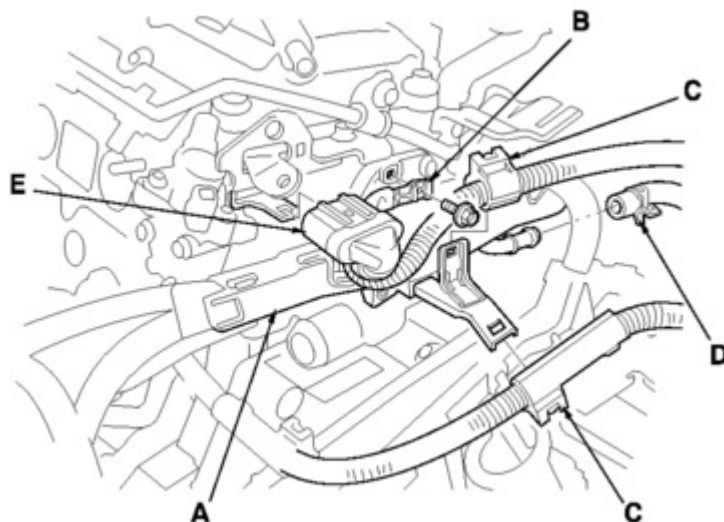
Applicable vehicles:

- 2007-08 Honda FIT

Thermostat Replacement

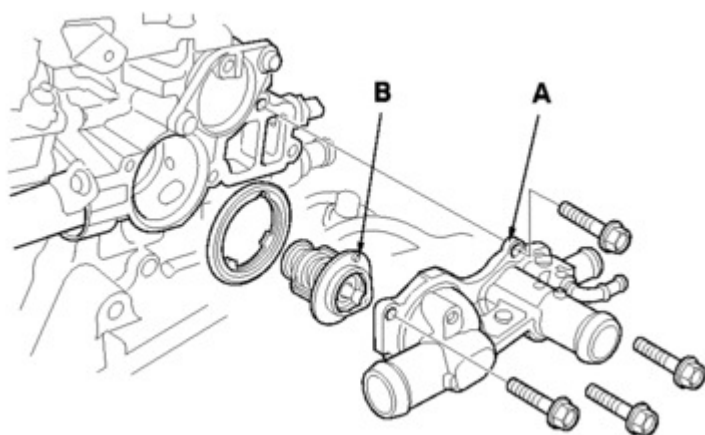
Removal

- Drain the engine coolant.
- Remove the air cleaner assembly.
- Disconnect the radiator hoses.
- Remove the harness holder (A), the ground cable (B), harness clamps (C), the water bypass hose (D) and the engine junction connector clamp (E).



[Click to Enlarge](#)

- Remove the **thermostat** housing (A), then remove the **thermostat** (B).



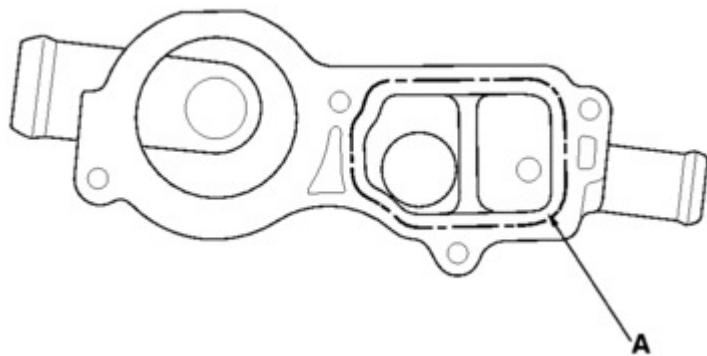
[Click to Enlarge](#)

Installation

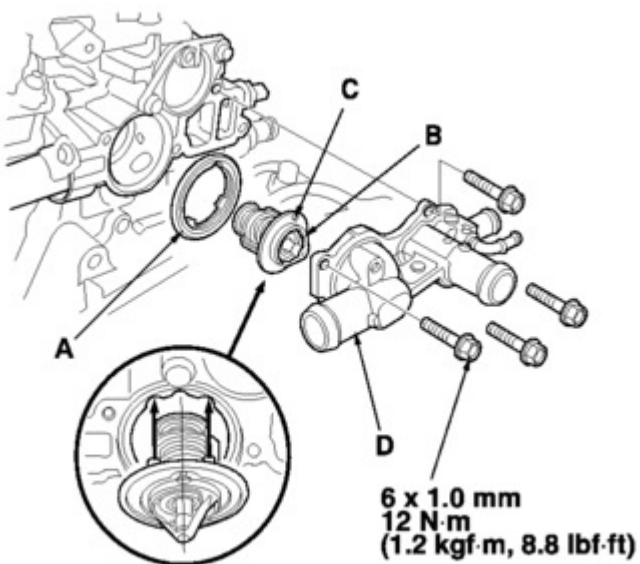
- Remove old liquid gasket from the **thermostat** housing mating surfaces, bolts and bolt holes.
- Apply a 1.5 mm wide bead of the liquid gasket, P/N 08717-0004, 08718-0001, 08718-0003, or 08718-0009, along the broken lines. Install the component within 5 minutes of applying the liquid gasket.

NOTE:

- If you apply liquid gasket P/N 08718-0012, the component must be installed within 4 minutes.
- If too much time has passed after applying the liquid gasket, remove the old liquid gasket and residue, then reapply new liquid gasket.



- Install the rubber seal (A) on the **thermostat** (B), then install the **thermostat** with the pin (C) on the top side.



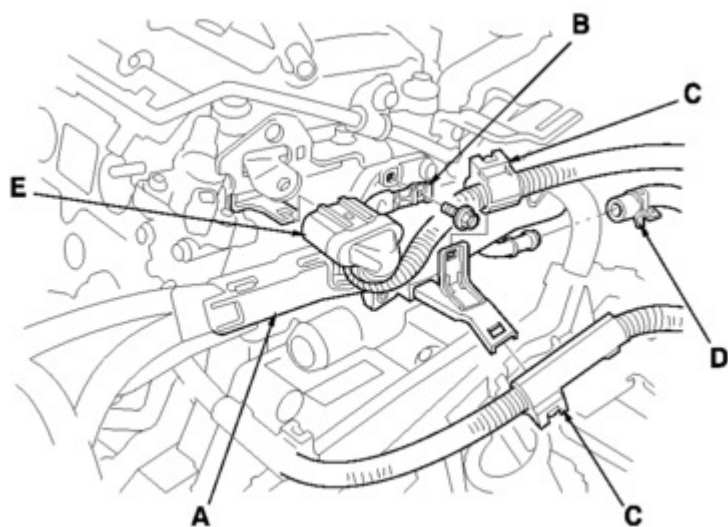
Click to Enlarge

- Install the **thermostat** housing (D).

NOTE:

- Wait at least 30 minutes to allow liquid gasket to cure before filling the engine with engine coolant.
- Do not run the engine for at least 3 hours after installing the **thermostat** housing.
- Install the harness holder (A), the ground cable (B), harness clamps (C), the water bypass hose

(D) and the engine junction connector clamp (E).



Click to Enlarge

- Install the radiator hoses.
- Install the air cleaner assembly.

Copyright ©2018 by Chilton, an imprint of Cengage Learning

(/lh/Home/Index/mwellVrw8Y1PM5WjFCChatFZDP0B2XE7rqvxCxe5vWwBHNcZ01)Home

Terms and Conditions (http://www.cengage.com/content/footer/terms_of_use.aspx)

Privacy Statement (http://www.cengage.com/content/footer/privacy_statement.aspx)

Contact Us (<http://www.cengage.com/contact/>)

