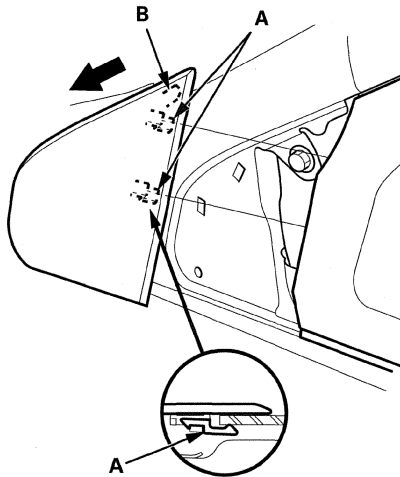


# Exterior Trim

## A-Pillar Corner Trim Replacement (cont'd)

- Slide the A-pillar corner trim forward in the direction shown, and detach the clips (A) and the tab (B) from the body, then remove the trim.



- Install the trim in the reverse order of removal, and note these items:
  - If the clips are damaged or stress-whitened, replace them with new ones.
  - Push the clips into place securely.

## Cowl Cover Replacement

### Special Tools Required

KTC Trim Tool Set SOJATP2014\*

\*Available through the Honda Tool and Equipment Program; call 888-424-6857

### Removal

#### NOTE:

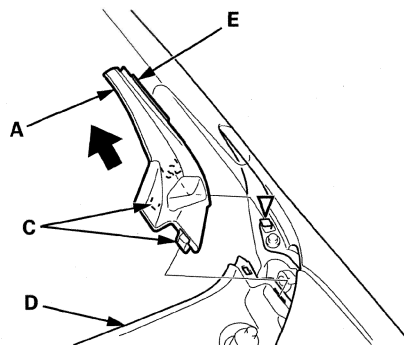
- Put on gloves to protect your hands.
- Take care not to damage the body.
- Use the appropriate tool from the KTC trim tool set to avoid damage when removing components.

- Close the hood.
- Remove the driver's hood hinge cover (A) and the passenger's hood hinge cover (B).
  - Carefully pull the bottom of the cover up to release the hooks (C) from the cowl cover (D).
  - Release the rib (E) from the edge of the body.
  - Carefully slide the cover up along the A-pillar to release it from the clip.
  - Remove the clip from the body.

### Driver's cowl cover

#### Fastener Location

▷ : Clip, 1

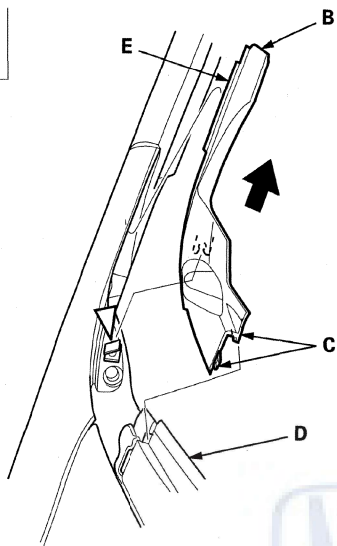




### Passenger's cowl cover

#### Fastener Location

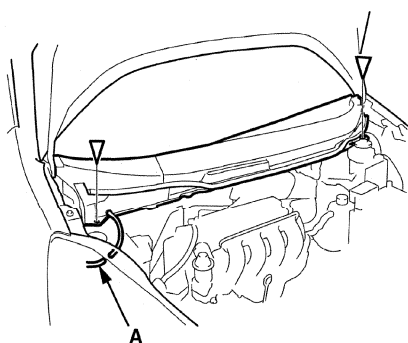
▷ : Clip, 1



3. Open the hood.
4. Remove the windshield wiper arms (see page 22-264).
5. Detach the clips from the cowl cover with a clip remover, then disconnect the windshield washer tube (A).

#### Fastener Locations

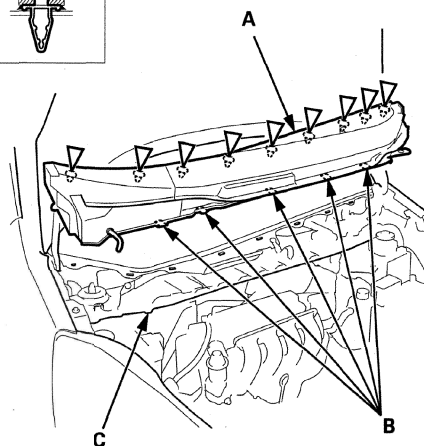
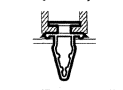
▷ : Clip, 2



6. Detach the clips by carefully pulling the windshield side edge of the cowl cover (A) upward. Pull the cowl cover forward to release the front hooks (B) from the under-cowl panel (C), then remove the cover.

#### Fastener Locations

▷ : Clip, 9 (Blue)



7. If the clips are damaged or stress-whitened, replace them with new ones.

(cont'd)

# Exterior Trim

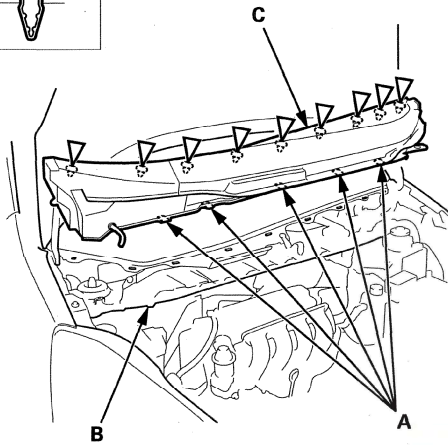
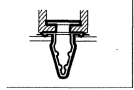
## Cowl Cover Replacement (cont'd)

### Installation

1. Install all of the front hooks (A) on the edge of the under-cowl panel (B), and fit the clips into the holes on the body, then push on the cowl cover (C) until the clips snap into place securely.

#### Fastener Locations

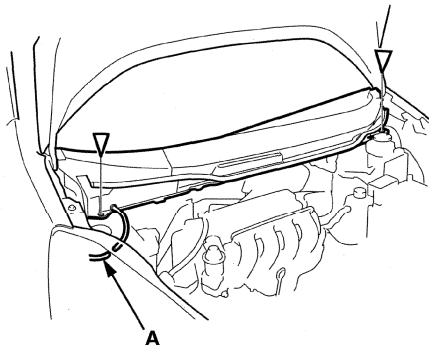
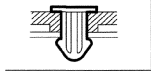
▷ : Clip, 9  
(Blue)



2. Install the clips on the cowl cover, then connect the windshield washer tube (A) securely.

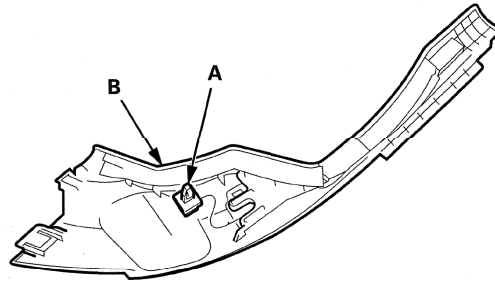
#### Fastener Locations

▷ : Clip, 2



3. Install the windshield wiper arms (see page 22-264).
4. Close the hood.

5. Install the clips (A) on both hood hinge covers (B). The passenger's hood hinge cover is shown; the driver's hood hinge cover is similar.



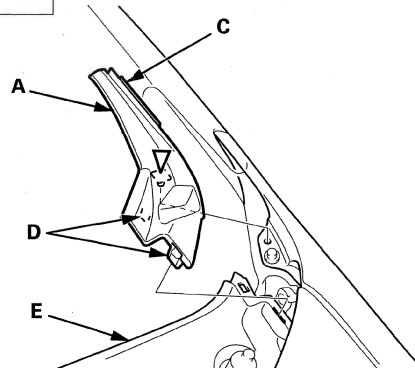
6. Install the hood hinge covers (A, B).

- 1. Install the rib (C) to the edge of the body.
- 2. Fit the clip and the hooks (D) into the holes in the body and the cowl cover (E), then push on the cover until they snap into place securely.

#### Driver's cowl cover

#### Fastener Location

▷ : Clip, 1



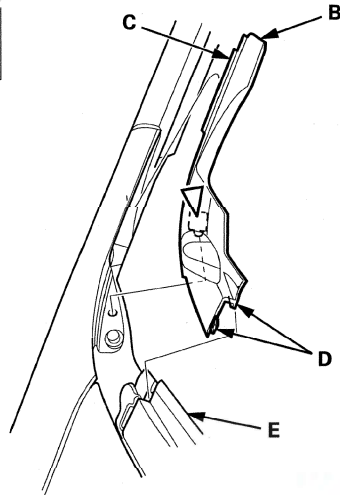
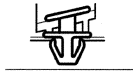


## Roof Molding Replacement

### Passenger's cowl cover

#### Fastener Location

▷ : Clip, 1



### Special Tools Required

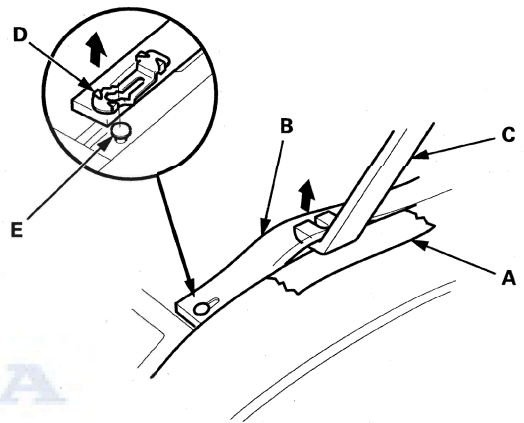
KTC Trim Tool Set SOJATP2014\*

\*Available through the Honda Tool and Equipment Program; call 888-424-6857

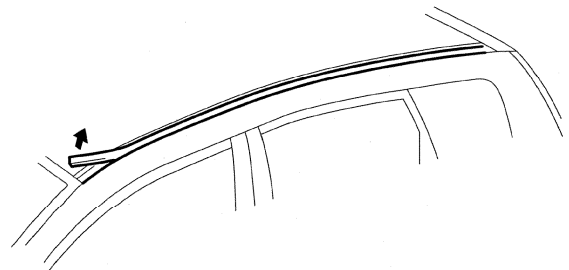
### NOTE:

- Take care not to scratch the body.
- Take care not to bend the roof molding.
- Use the appropriate tool from the KTC trim tool set to avoid damage when removing components.

1. Apply protective tape (A) to the body. Pry up on the roof molding (B) with the appropriate trim tool (C).



2. Pull up and slide the roof molding to release the front bracket (D) from the pin (E).
3. Pull up the front portion of the roof molding.



(cont'd)