

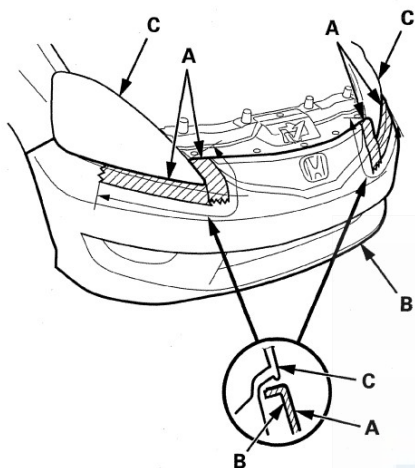
Bumpers

Front Bumper Removal/Installation

NOTE:

- Put on gloves to protect your hands.
- Have an assistant help you when removing and installing the front bumper.
- Take care not to scratch the front bumper or the body.

1. Apply protective tape (A) to the front bumper (B) beside edges of both headlights (C). Make sure the protective tape covers the edge of the bumper as shown.



2. Remove the screws (A, B) and the clips (C, D) securing the front bumper (E).

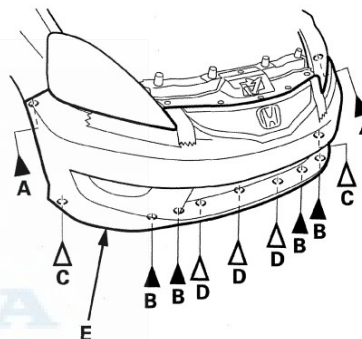
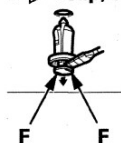
NOTE: To release the clips, pry up on the center pin at the notch (F).

Fastener Locations

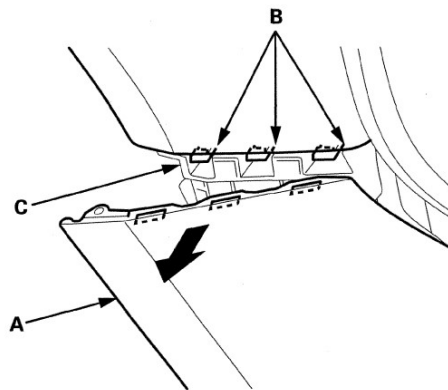
A ▶ : Screw, 2 B ▶ : Screw, 4 C ▷ : Clip, 2



D ▷ : Clip, 3

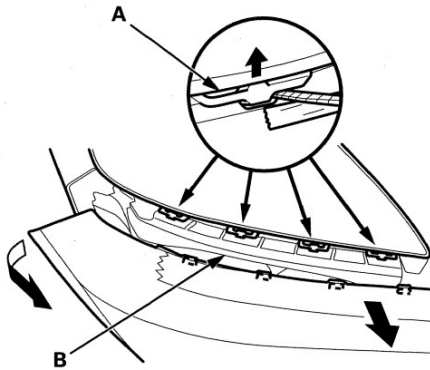


3. Pull on the front bumper (A) at the wheel arch areas to release it from the hooks (B) on the side spacers (C).





4. With the help of an assistant, release the bumper from the hooks (A) on the upper beam (B).



5. While holding the front bumper, remove the front grille cover (A).

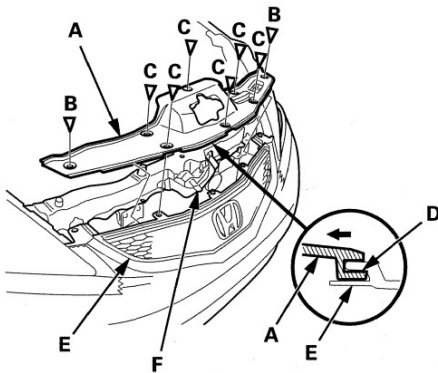
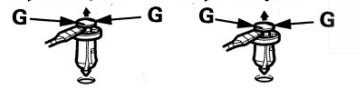
- 1. Remove the clips (B, C).
- 2. While pulling the rear edge of the cover up, slide the entire cover rearward to release it from the groove (D) of the front grille (E).
- 3. Pass the hood latch handle (F) through the hole in the cover.

NOTE: To release the clips, pry up on the center pin at the notch (G).

Fastener Locations

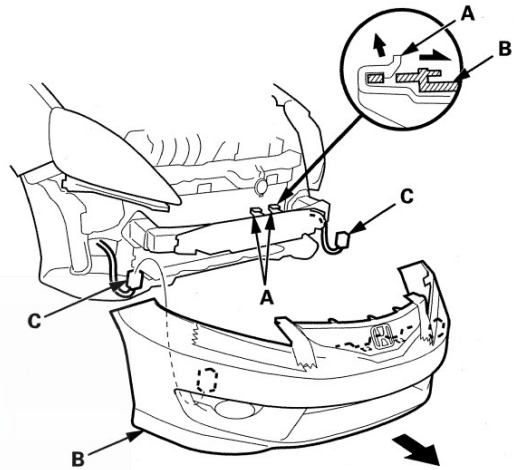
B ▷ : Clip, 2

C ▷ : Clip, 6



6. Release the hooks (A), and pull the front bumper (B) forward. Then hold the bumper, and disconnect the front fog light connectors (C), if equipped. Carefully remove the bumper.

NOTE: Have an assistant help you remove both sides of the bumper at the same time. This helps prevent scratches on the bumper or the body.



(cont'd)

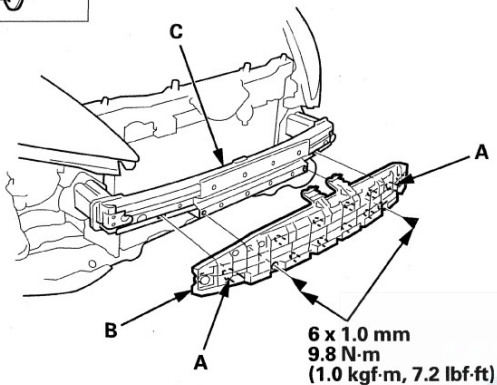
Bumpers

Front Bumper Removal/Installation (cont'd)

- Remove the bolts and release the hooks (A), then remove the front bumper absorber (B) from the front bumper beam (C).

Fastener Locations

▶ : Bolt, 2



- Install the bumper in the reverse order of removal, and note these items:

- If equipped, make sure the front fog light connectors are plugged in properly.
- Make sure the front bumper securely engages the hooks on both upper beams and both side spacers.
- If the clips are damaged or stress-whitened, replace them with new ones.
- Push the clips and the hooks into place securely.

Lower Front Bumper Grille Replacement

Special Tools Required

KTC Trim Tool Set SOJATP2014*

*Available through the Honda Tool and Equipment Program; call 888-424-6857

With Front Fog Lights

NOTE:

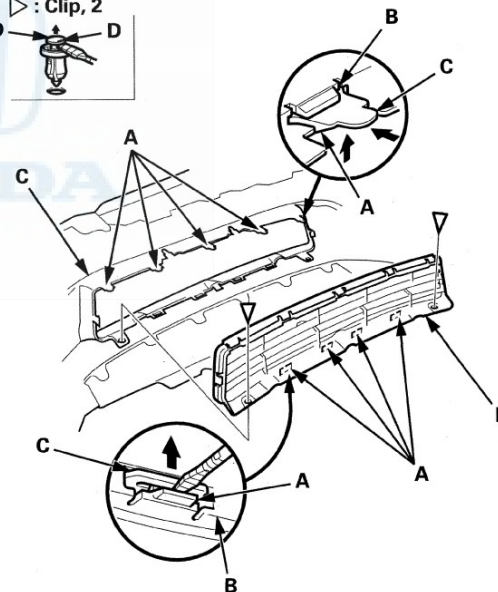
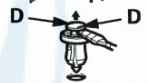
- Take care not to scratch the front bumper.
- Use the appropriate tool from the KTC trim tool set to avoid damage when removing components.

- Remove the front bumper (see page 20-144).
- Remove the clips, and release the hooks (A), then remove the lower front bumper grille (B) from the front bumper (C).

NOTE: To release the clips, pry up on the center pin at the notch (D).

Fastener Locations

▷ : Clip, 2



- Install the bumper grille in the reverse order of removal, and note these items:

- If the clips are damaged or stress-whitened, replace them with new ones.
- Push the clips and the hooks into place securely.