

Trim Removal/Installation - Pillar Areas

Special Tools Required

KTC Trim Tool Set SOJATP2014*

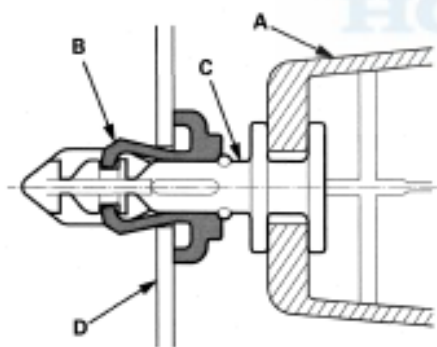
*Available through the Honda Tool and Equipment Program; call 888-424-6857

A-Pillar Trim

SRS components are located in this area. Review the SRS component locations (see page 24-13) and the precautions and procedures (see page 24-15) before doing repairs or service.

NOTE:

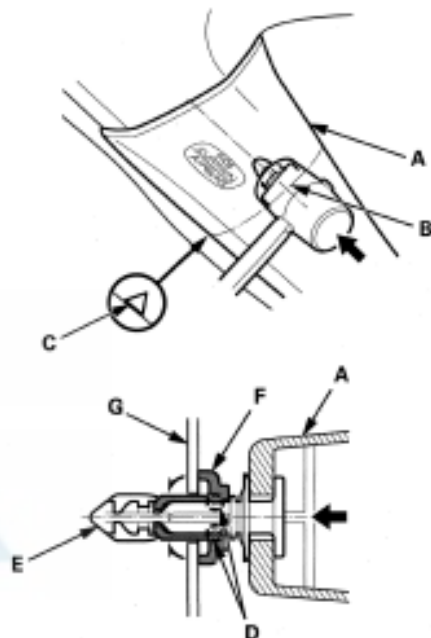
- Follow the A-pillar trim installation procedure carefully; improper installation could cause the side curtain airbags to deploy improperly and possibly cause injury.
- Put on gloves to protect your hands.
- Use the appropriate tool from the KTC trim tool set to avoid damage when removing components.
- Take care not to scratch the trim and the panels.
- The upper clip for the A-pillar trim (A) consists of a plastic grommet (B) expanded by a metal pin (C), which secures the grommet to the body (D).
- The grommet breaks during removal, so a new upper clip must be used every time the trim is reinstalled.



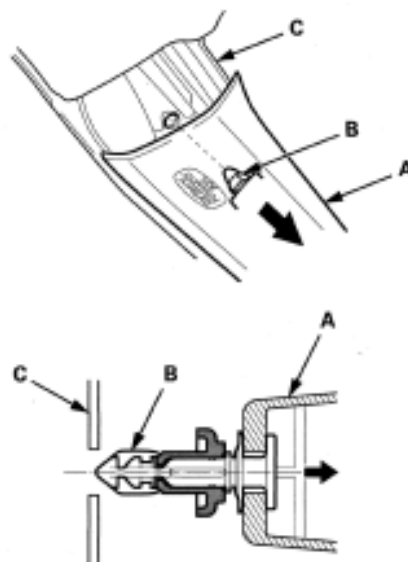
1. Pull the door inner seal away from the A-pillar as needed (see step 4 on page 20-67).

2. Hit the upper clip in the A-pillar trim (A) with a rubber mallet. The clip is located under the point (B) where the triangle mark (C) on the edge of the trim indicates. Hitting the clip slides the projections (D) on the pin (E) into the grommet (F). The projections break the grommet, which releases the clip from the body (G).

NOTE: The upper clip must be replaced with a new one when the A-pillar trim is reinstalled.



3. Pull the top of the A-pillar trim (A) back by hand to remove the upper clip (B) from the body (C).



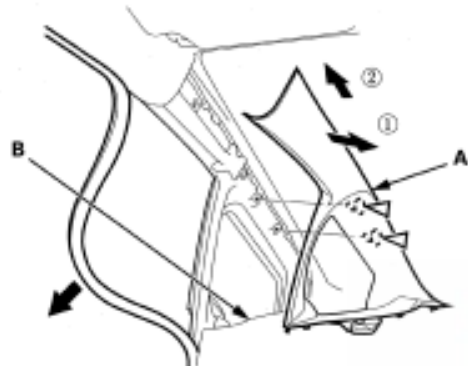
(cont'd)

Trim Removal/Installation - Pillar Areas (cont'd)

4. Pull out the A-pillar trim (A) by hand to detach the clips. Pull the trim up from the dashboard (B), then remove it.

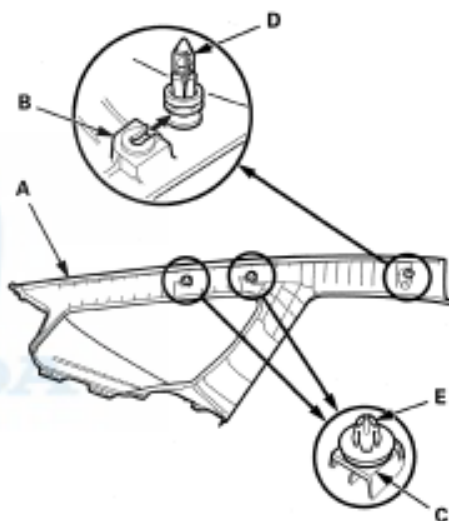
Fastener Locations

▷ : Clip, 2
(Purple)

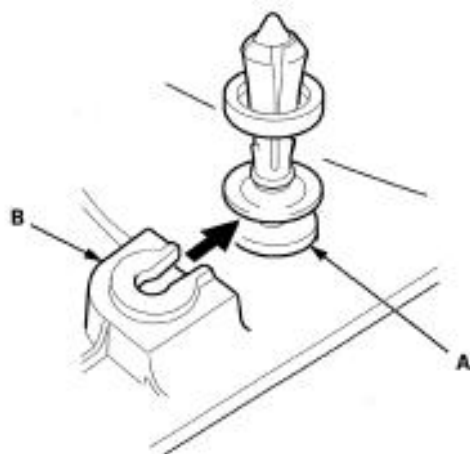


5. If the side curtain airbag has deployed, replace the A-pillar trim, along with the other parts listed for side curtain airbag deployment (see page 24-168).

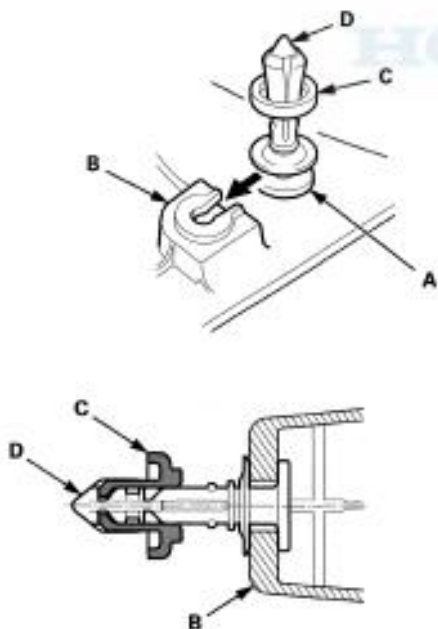
6. If the side curtain airbag has not deployed, check the A-pillar trim (A) and note the following items:
- To prevent the side curtain airbags from deploying improperly and possibly causing injury, inspect the A-pillar trim and replace it if it has any of the following damage:
 - Any cracks, deformations, or stress-whitened areas in the A-pillar trim
 - Any cracks or stress-whitened areas in the clip seating surfaces (B, C)
 - Always replace the upper clip (D) with a new one.
 - If the clips (E) are damaged or stress-whitened, replace them with new ones.



7. Temporarily remove the new upper clip (A) from the A-pillar trim (B).



8. Check the overlap between the headliner and the A-pillar trim, and if necessary, adjust it (see page 24-170).
9. Carefully install the new upper clip (A) on the A-pillar trim (B). Be sure that the grommet (C) is nearest to the top of the pin (D) as shown.



10. Reinstall the A-pillar trim (A).

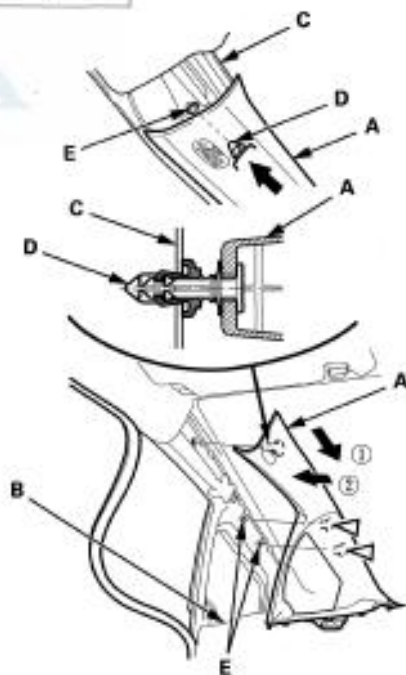
- 1. Insert the bottom of the trim into the dashboard (B).
- 2. Place the trim over the A-pillar (C), and fit its upper clip (D), and the lower clips into the holes (E) in the A-pillar, then lightly push the trim into place.

NOTE:

- Always use a new upper clip when installing the trim.
- If the clips are damaged or stress-whitened, replace them with new ones.
- Make sure the side curtain airbag is not pinched by the trim or the clips.
- Do not push too hard on the trim. Pushing too hard damages the upper clip, which will not hold the trim properly.
- Gently tug on the A-pillar trim to make sure that all clips are securely fastened.

Fastener Locations

▷ : Clip, 2 (Purple)



11. Reinstall the door opening seal.

(cont'd)