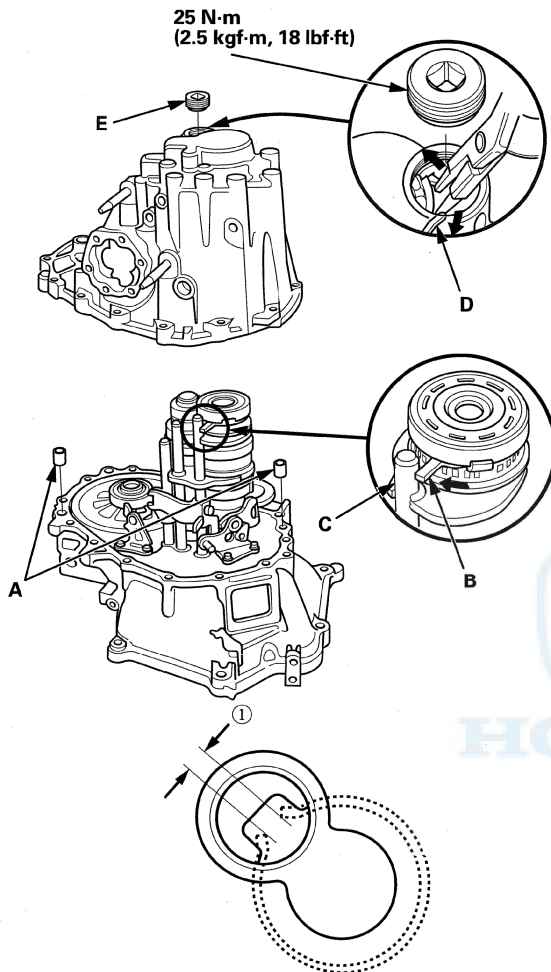


Manual Transmission

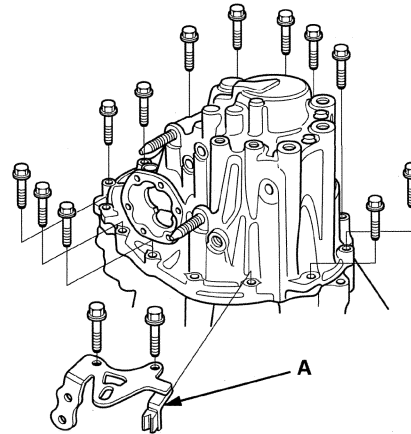
Transmission Reassembly (cont'd)

11. Install the two 14 x 20 mm dowel pins (A).



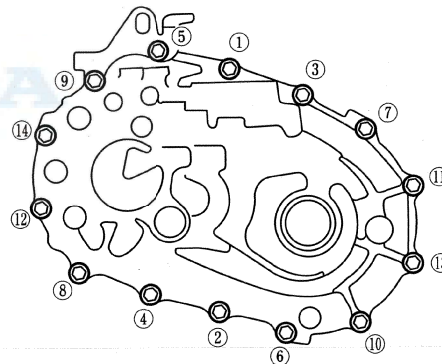
12. Make sure the finger (B) of the tapered cone ring contacts the 5th shift fork (C) as shown.
13. Lower the transmission housing the rest of the way as you expand the 52 mm snap ring (D). Release the snap ring so it seats in the groove of the countershaft bearing.
14. Make sure that the 52 mm snap ring is securely seated in the groove of the countershaft bearing.
- Dimension ① as installed: 4.6–8.3 mm (0.181–0.327 in)**
15. Apply liquid gasket (P/N 08717-0004, 08718-0001, 08718-0003, 08718-0004, or 08718-0009) to the threads of the 32 mm sealing screw (E), and install it on the transmission housing.

16. Install the transmission hanger (A) and the 8 mm flange bolts finger-tight.



17. Torque the 8 mm flange bolts in a crisscross pattern in several steps.

**Specified Torque: 8 x 1.25 mm
27 N·m (2.8 kgf·m, 20 lbf·ft)**



18. Clean any dirt or oil from the change lever assembly sealing surface.