

Doors

Front Door Panel Removal/Installation

Special Tools Required

- KTC Trim Tool Set SOJATP2014*
- Trim Pad Remover, Snap-on A 177A or equivalent, commercially available

*Available through the Honda Tool and Equipment Program; call 888-424-6857

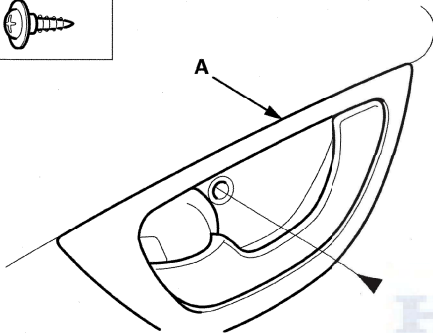
NOTE:

- Take care not to scratch the door or related parts.
- Use the appropriate tool from the KTC trim tool set to avoid damage when removing components.

1. Remove the screw securing the inner handle (A).

Fastener Location

► : Screw, 1

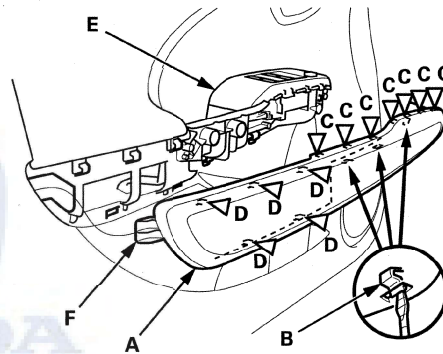


2. Remove the grip cover (A).

- 1. Pry out the front bottom edge of the cover, using a flat-tip screwdriver wrapped with protective tape, while pushing up the hooks (B).
- 2. From front to rear, pry out along the edge of the cover to release the hooks (C, D) from the power window switch panel (E).
- 3. Release the rear hook (F) by pulling the cover forward.

Fastener Locations

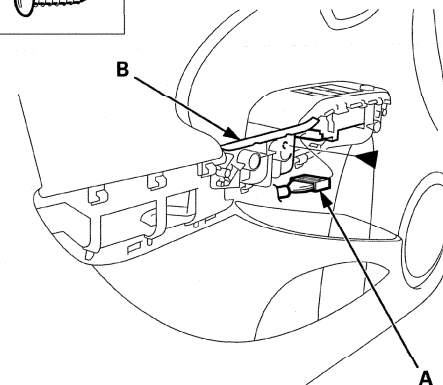
C ▷ : Hook, 7 D ▷ : Hook, 5



3. Disconnect the power window switch connector (A). Remove the screw from the grip base (B).

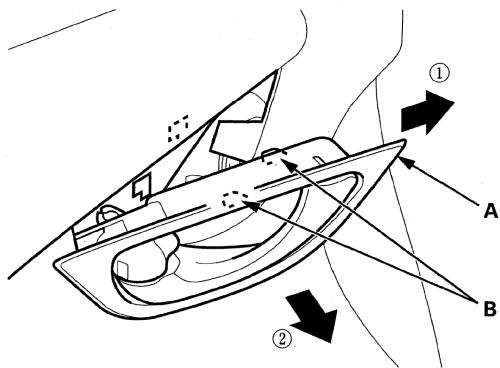
Fastener Location

► : Screw, 1

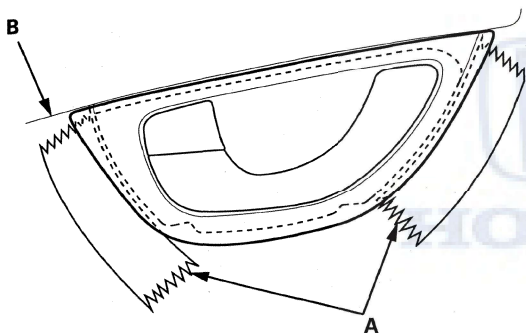




4. Pull the inner handle (A) forward and out half-way to release the hooks (B).



5. Apply protective tape (A) to the door panel (B) as shown.



6. Remove the door panel (A) with as little bending as possible to avoid creasing or breaking it.

-1. Start at the bottom edge of the door panel, release the clips that are just above the marks (B) on the edge of the panel with a commercially available trim pad remover.

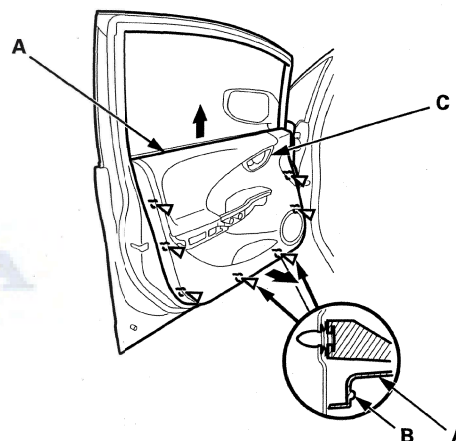
-2. Detach the upper clips.

-3. Starting at the rear, pull the door panel upward.

NOTE: Do not pull the door panel up too far, or the door panel will be damaged by the inner handle (C).

Fastener Locations

▷ : Clip, 7 (Red)

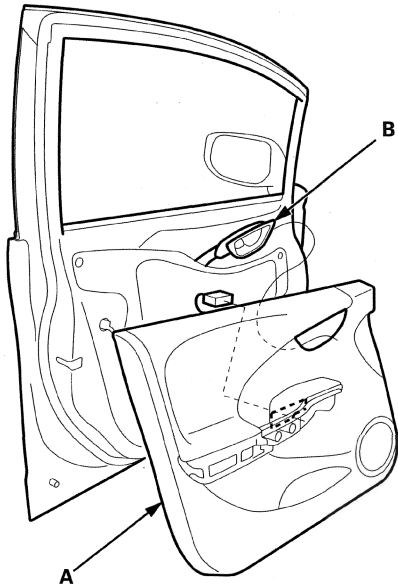


(cont'd)

Doors

Front Door Panel Removal/Installation (cont'd)

7. Remove the door panel (A) while pulling the inner handle (B) out through the hole in the door panel.



8. Install the door panel in the reverse order of removal, and note these items:

- If the clips are damaged or stress-whitened, replace them with new ones.
- Make sure the power window switch connector is plugged in properly.
- When reinstalling the door panel, make sure the plastic cover is installed properly and sealed around its outside perimeter to seal out water.

Front Door Outer Handle Replacement

Special Tools Required

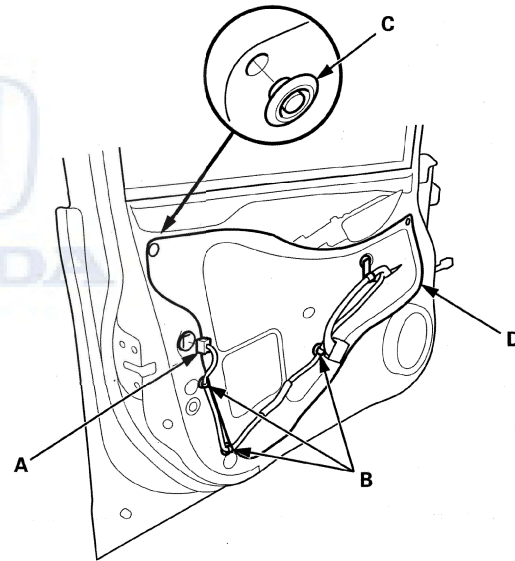
KTC Trim Tool Set SOJATP2014*

*Available through the Honda Tool and Equipment Program; call 888-424-6857

NOTE:

- Put on gloves to protect your hands.
- Take care not to scratch the door or related parts.
- Use the appropriate tool from the KTC trim tool set to avoid damage when removing components.

1. Remove the door panel (see page 20-6).
2. Raise the glass fully.
3. With power door lock: Disconnect the power door lock actuator connector (A), and detach the harness clips (B).



4. Remove the rear plug cap (C), then remove the plastic cover (D) as needed.

NOTE: If the plastic cover is damaged or torn, replace it.