

CHILTON[®]LIBRARY

Your Current Vehicle: 2011 Honda Fit

Rate this article: ★ ★ ★ ★ ★

Fluid Replacement

NOTE

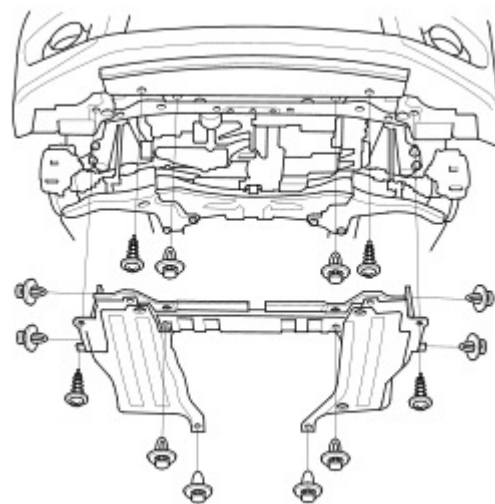
Applicable vehicles:

- 2009-13 Honda FIT; A/T

ATF Replacement

NOTE: Keep all foreign particles out of the transmission.

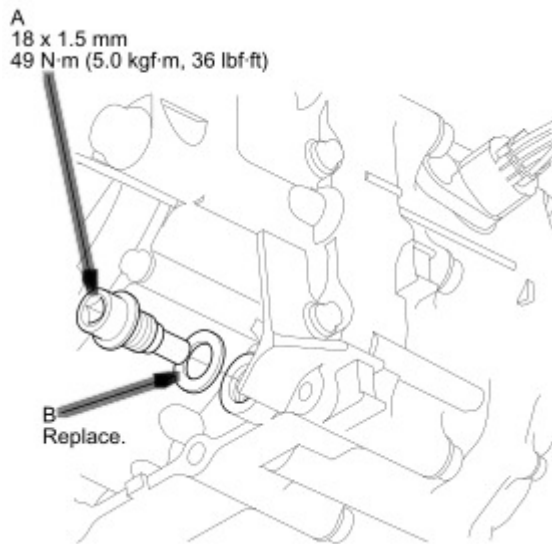
1. Warm up the engine to normal operating temperature (the radiator fan comes on), and turn the engine off.
2. Raise the vehicle on a lift, or apply the parking brake, block both rear wheels, and raise the front of the vehicle. Make sure it is securely supported.
3. Remove the splash shield.



4. Remove the drain plug (A), and drain the

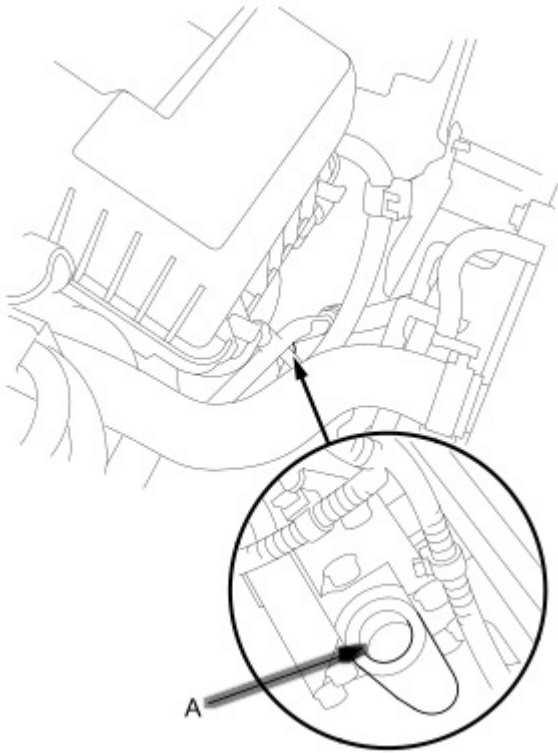
automatic transmission **fluid** (ATF).

NOTE: If a cooler cleaning is done, refer to ATF cooler cleaning.

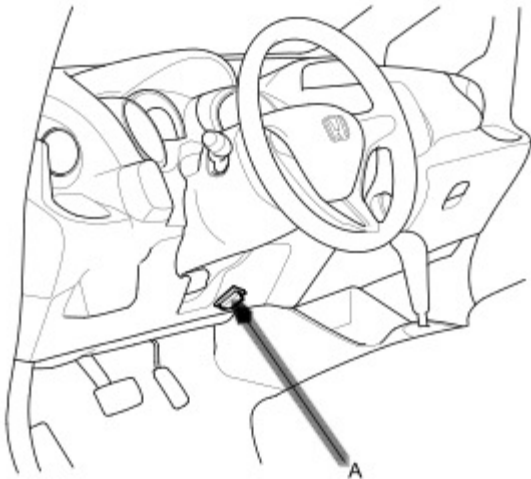


5. Reinstall the drain plug with a new sealing washer (B).
6. Remove the dipstick, and refill the transmission with the recommended **fluid** into the dipstick guide opening (A). Always use Honda ATF DW-1 Automatic Transmission **Fluid** (ATF). Using a non-Honda ATF can affect shift quality.

Automatic Transmission Fluid Capacity:	
	2.5 L (2.6 US qt) at change
	5.85 L (6.18 US qt) at overhaul



7. Insert the dipstick back into the transmission.
8. Check the ATF level.
9. Install the splash shield.
10. Connect the HDS to the DLC (A).



11. Turn the ignition switch to ON (II), and go to the system selection menu on the HDS. If the HDS does not communicate with the PCM, troubleshoot

the DLC circuit.

12. Select BODY ELECTRICAL with the HDS.
13. Select ADJUSTMENT in the GAUGE MENU with the HDS.
14. Select RESET in the MAINTENANCE MINDER with the HDS.
15. Select MAINTENANCE SUB ITEM 3 Reset, and reset the ATF life with the HDS.

Copyright ©2019 by Chilton, an imprint of Cengage Learning

[\(/lh/Home/Index/mwellMtoCHzpkzBuC6dYalqY_fLwFj98ZKi4sRA7TI7IbJL41\)Home](#)

[Terms and Conditions \(/www.cengage.com/content/footer/terms_of_use.aspx\)](#)

[Privacy Statement \(/www.cengage.com/content/footer/privacy_statement.aspx\)](#)

[Contact Us \(/www.cengage.com/contact/\)](#)

