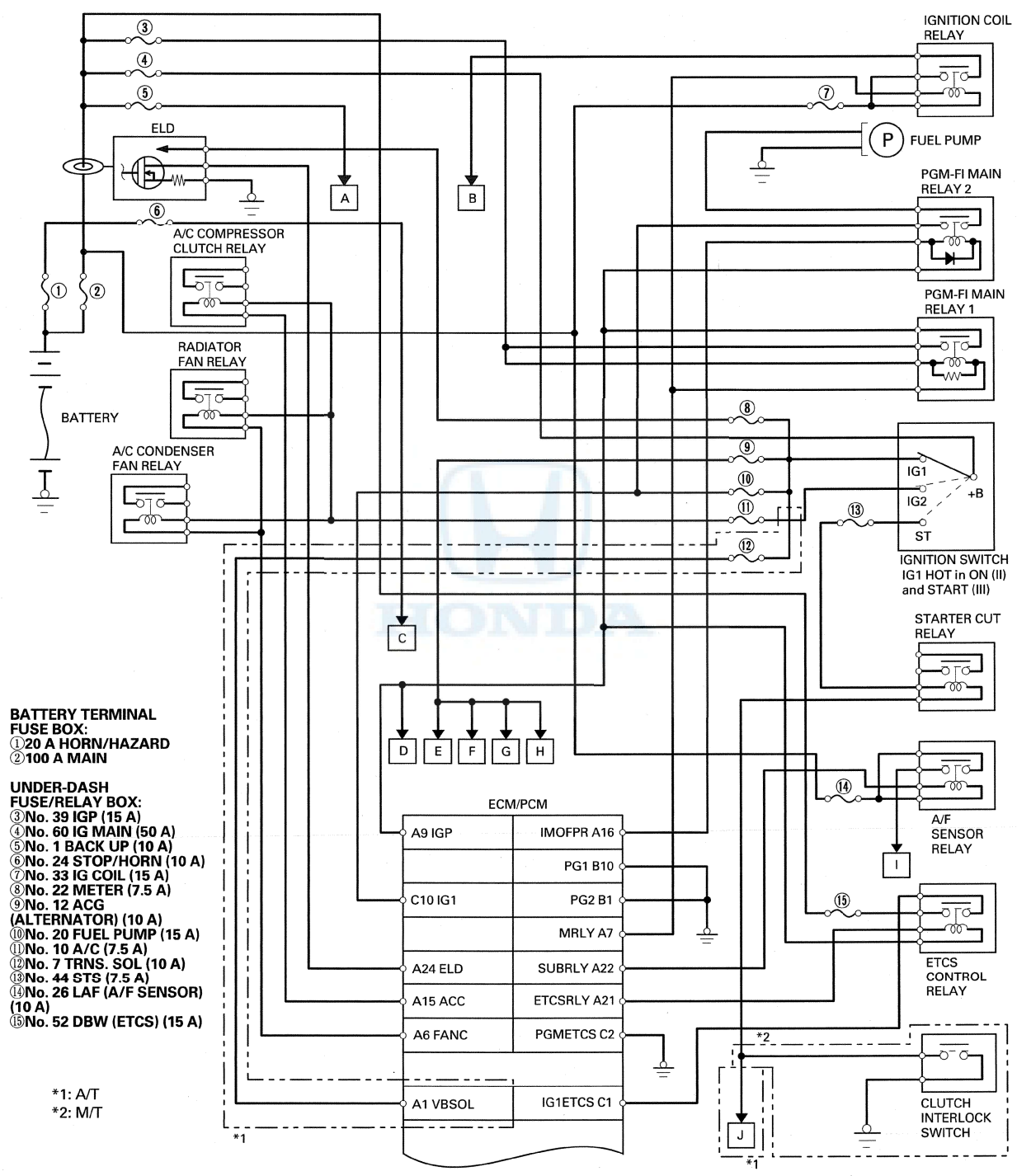


Fuel and Emissions Systems

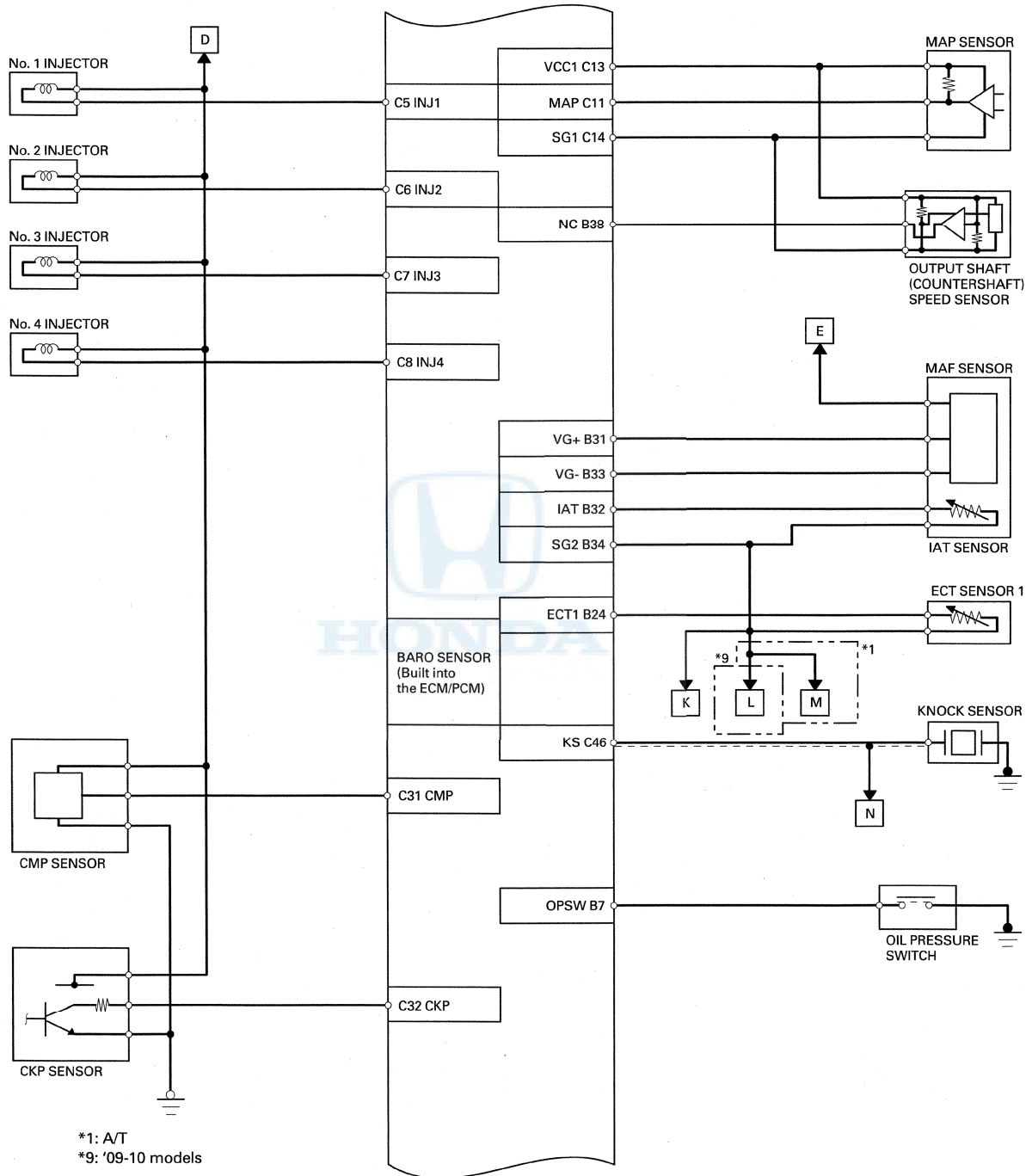
System Description (cont'd)

ECM/PCM Electrical Connections



- BATTERY TERMINAL FUSE BOX:**
 ① 20 A HORN/HAZARD
 ② 100 A MAIN
- UNDER-DASH FUSE/RELAY BOX:**
 ③ No. 39 IGP (15 A)
 ④ No. 60 IG MAIN (50 A)
 ⑤ No. 1 BACK UP (10 A)
 ⑥ No. 24 STOP/HORN (10 A)
 ⑦ No. 33 IG COIL (15 A)
 ⑧ No. 22 METER (7.5 A)
 ⑨ No. 12 ACG (ALTERNATOR) (10 A)
 ⑩ No. 20 FUEL PUMP (15 A)
 ⑪ No. 10 A/C (7.5 A)
 ⑫ No. 7 TRNS. SOL (10 A)
 ⑬ No. 44 STS (7.5 A)
 ⑭ No. 26 LAF (A/F SENSOR) (10 A)
 ⑮ No. 52 DBW (ETCS) (15 A)

*1: A/T
 *2: M/T



(cont'd)