

# Body

## Doors

Component Location Index	
Front Door .....	20-2
Rear Door .....	20-4
Front Door Panel Removal/Installation .	20-6
Front Door Outer Handle Replacement .	20-8
Front Door Latch Replacement .....	20-11
Front Door Glass and Regulator Replacement .....	20-15
Front Door Pad Replacement .....	20-16
Front Door Sash Outer Trim Replacement .....	20-17
Front Door Glass Outer Weatherstrip Replacement .....	20-17
Front Door Weatherstrip Replacement .	20-18
Rear Door Panel Removal/Installation .	20-18
Rear Door Outer Handle Replacement .	20-21
Rear Door Latch Replacement .....	20-23
Rear Door Glass and Regulator Replacement .....	20-26
Rear Door Rear Sash Trim Replacement .....	20-30
Rear Door Glass Outer Weatherstrip Replacement .....	20-30
Rear Door Sash Outer Trim Replacement .....	20-31
Rear Door Weatherstrip Replacement .	20-31
Door Glass Adjustment .....	20-32
Door Position Adjustment .....	20-34
Door Striker Adjustment .....	20-35

## Mirrors

Component Location Index .....	20-36
Power Mirror Replacement .....	20-37
Mirror Holder Replacement .....	20-38
Mirror Housing Cover Replacement ...	20-39
Rearview Mirror Replacement .....	20-40

## Glass

Component Location Index .....	20-41
Windshield Replacement .....	20-43
Front Corner Glass Replacement .....	20-48
Rear Window Replacement .....	20-53
Quarter Glass Replacement .....	20-59

## Interior Trim

Component Location Index .....	20-64
Trim Removal/Installation	
Door Areas .....	20-65
* Pillar Areas .....	20-68
Rear Side Area .....	20-74
Cargo Area .....	20-75
Tailgate Area .....	20-76
Sunvisor Removal/Installation .....	20-77
Grab Handle Removal/Installation .....	20-80
* Headliner Removal/Installation .....	20-82
* Carpet Replacement .....	20-86

## Consoles

* Center Console Removal/Installation ..	20-88
--	-------

## Dashboard

Component Location Index .....	20-90
Instrument Panel Removal/Installation .	20-91
Fuse Access Panel Removal/Installation .....	20-92
Driver's Dashboard Lower Cover Removal/Installation .....	20-92
Driver's Dashboard Undercover Removal/Installation .....	20-93
Dashboard Vent Removal/Installation .	20-93
Dashboard Center Lower Cover Removal/Installation .....	20-94
Dashboard Center Lower Trim Removal/Installation .....	20-95
Passenger's Tray Lid Removal/Installation .....	20-95
Passenger's Dashboard Undercover Removal/Installation .....	20-96
* Glove Box Removal/Installation .....	20-96
* Glove Box Striker Replacement .....	20-97
Dashboard Glove Box Cover Removal/Installation .....	20-98
Beverage Holder Removal/Installation .	20-99
Side Defogger Vent Trim Removal/Installation .....	20-99
Column Cover Removal/Installation ...	20-100
* Dashboard/Steering Hanger Beam Removal/Installation .....	20-101
Dashboard/Steering Hanger Beam Disassembly/Reassembly .....	20-106

## Seats

Component Location Index .....	20-109
Front Seat Active Head Restraint Inspection .....	20-110
* Front Seat Removal/Installation .....	20-111
Front Seat Armrest Replacement .....	20-114
Front Seat Slide Lever Replacement ...	20-115
Front Seat Frame Replacement .....	20-115
* Front Seat-back Cover/Pad Replacement .....	20-117
* Front Seat Recline Cover Removal/Installation .....	20-121
* Front Seat Cushion Cover/Pad Replacement .....	20-124
Rear Seat Removal/Installation .....	20-125
Rear Seat Leg Guide Replacement .....	20-126
Rear Seat-back Striker Replacement ...	20-127
Rear Seat Disassembly/Reassembly ...	20-127
Rear Seat-back Latch Replacement .....	20-129
Rear Seat-back Cover/Pad Replacement .....	20-131
Rear Seat-back Hinge Replacement ....	20-133
Rear Seat Cushion Cover/Pad Replacement .....	20-133
Rear Seat Control Cable Replacement .	20-136

Rear Seat Cushion Leg Replacement . . . 20-137

## Bumpers

Front Bumper Removal/Installation . . . . 20-138  
Lower Front Bumper Grille  
Replacement . . . . . 20-140  
Lower Front Bumper Grille Cover  
Replacement . . . . . 20-141  
Front Air Spoiler Replacement . . . . . 20-141  
Rear Bumper Removal/Installation . . . . 20-142  
Rear Bumper Air Spoiler Replacement . 20-143

## Hood

Component Location Index . . . . . 20-144  
Hood Adjustment . . . . . 20-145  
Hood Seal Replacement . . . . . 20-146  
Hood Insulator Replacement . . . . . 20-147  
Cooling Duct Removal/Installation . . . . 20-147  
Hood Opener Cable Replacement . . . . . 20-148  
Hood Latch Replacement . . . . . 20-149  
Hood Release Handle Replacement . . . . 20-150

## Tailgate

Component Location Index . . . . . 20-151  
Tailgate Adjustment . . . . . 20-152  
Tailgate Support Strut Replacement . . . 20-153  
Tailgate Weatherstrip Replacement . . . 20-154  
Tailgate Handle Replacement . . . . . 20-154  
Tailgate Latch Replacement . . . . . 20-155  
Tailgate Lock Cylinder Replacement . . . 20-156

## Fuel Fill Door

Fuel Fill Door Adapter Replacement . . . 20-157

## Exterior Trim

Front Grille Cover Replacement . . . . . 20-159  
Front Grille Replacement . . . . . 20-159  
A-Pillar Corner Trim Replacement . . . . 20-160  
Cowl Cover Replacement . . . . . 20-161  
Roof Molding Replacement . . . . . 20-164  
Side Sill Panel Replacement . . . . . 20-165  
Tailgate Spoiler Replacement . . . . . 20-167  
Rear License Trim Replacement . . . . . 20-168  
Emblem/Sticker Replacement . . . . . 20-169

## Fenderwell

Front Inner Fender Replacement . . . . . 20-170  
Splash Shield Replacement . . . . . 20-172  
Front Fender Fairing Replacement . . . . 20-173  
Rear Undercover Replacement . . . . . 20-174  
Rear Strake Replacement . . . . . 20-174  
Fuel Pipe Protector Replacement . . . . . 20-175  
Rear Air Outlet Replacement . . . . . 20-175  
Rear Inner Fender Replacement . . . . . 20-176

## Frame

Under-cowl Panel Replacement . . . . . 20-177  
Front Crossmember Brace  
Replacement . . . . . 20-177

Middle Front Floor Crossmember

Replacement . . . . . 20-178  
Subframe Replacement . . . . . 20-179  
Frame Repair Chart . . . . . 20-180





## Front Grille Cover Replacement

NOTE: Take care not to scratch the front grille or the body.

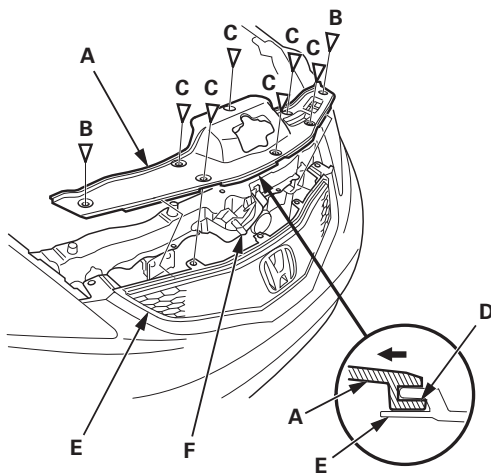
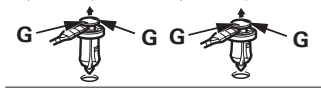
1. Remove the front grille cover (A).
  - 1. Remove the clips (B, C).
  - 2. While pulling the rear edge of the cover up, and slide the entire cover rearward to release it from the groove (D) of the front grille (E).
  - 3. Pass the hood latch handle (F) through the hole in the cover.

NOTE: To release the clips, pry up on the center pin at the notch (G).

### Fastener Locations

B ▷ : Clip, 2

C ▷ : Clip, 6



2. Install the cover in the reverse order of removal, and note these items:
  - If the clips are damaged or stress-whitened, replace them with new ones.
  - Push the clips into place securely.

## Front Grille Replacement

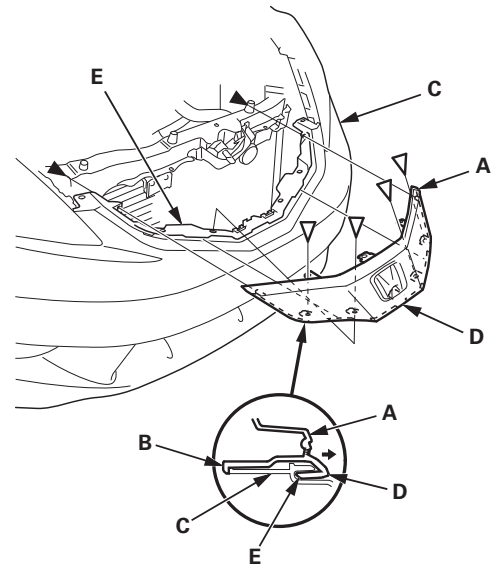
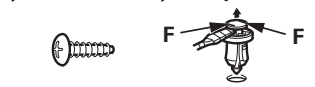
NOTE: Take care not to scratch the front bumper.

1. Remove the front grille cover (see page 20-159).
2. Remove the front grille (A).
  - 1. Remove the screws and the clips.
  - 2. Release the hooks (B) on the grille from the front bumper (C), and pull the grille out to release the ribs (D) from the front bumper groove (E).

NOTE: To release the clips, pry up on the center pin at the notch (F).

### Fastener Locations

▶ : Screw, 2 ▷ : Clip, 4



3. Install the grille in the reverse order of removal, and note these items:
  - If the clips are damaged or stress-whitened, and replace them with new one.
  - Push the clips and the hooks into place securely.

# Exterior Trim

## A-Pillar Corner Trim Replacement

### Special Tools Required

KTC Trim Tool Set SOJATP2014\*

\*Available through the Honda Tool and Equipment Program; call 888-424-6857

### NOTE:

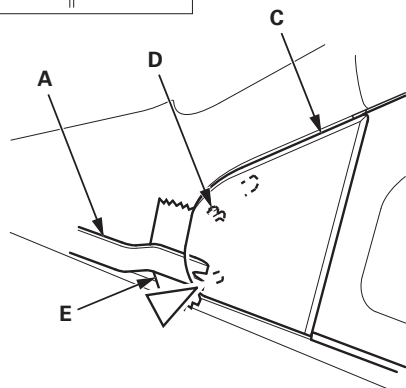
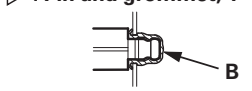
- Put on gloves to protect your hands.
- Take care not to scratch the corner trim or the body.
- Use the appropriate tool from the KTC trim tool set to avoid damage when removing components.

1. Carefully insert the appropriate trim tool (A) next to the grommet (B), and detach the pin and the grommet together by prying on the A-pillar corner trim (C), then detach the tab (D).

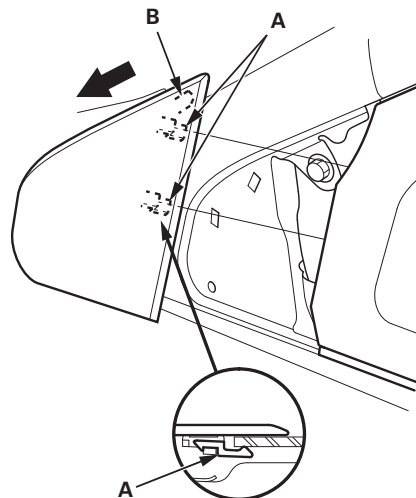
NOTE: Apply protective tape (E) to the body as shown.

### Fastener Locations

▷ : Pin and grommet, 1



2. Slide the A-pillar corner trim forward in the direction shown, and detach the clips (A) and the tab (B) from the body, then remove the trim.



3. Install the trim in the reverse order of removal, and note these items:

- If the clips are damaged or stress-whitened, replace them with new ones.
- Push the clips into place securely.



# Cowl Cover Replacement

## Special Tools Required

KTC Trim Tool Set SOJATP2014\*

\*Available through the Honda Tool and Equipment Program; call 888-424-6857

## Removal

NOTE:

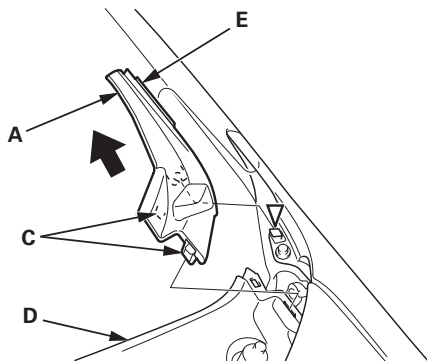
- Put on gloves to protect your hands.
- Take care not to damage the body.
- Use the appropriate tool from the KTC trim tool set to avoid damage when removing components.

1. Close the hood.
2. Remove the driver's hood hinge cover (A) and the passenger's hood hinge cover (B).
  - 1. Carefully pull the bottom of the cover up to release the hooks (C) from the cowl cover (D).
  - 2. Release the rib (E) from the edge of the body.
  - 3. Carefully slide the cover up along the A-pillar to release it from the clip.
  - 4. Remove the clip from the body.

### Driver's cowl cover

#### Fastener Location

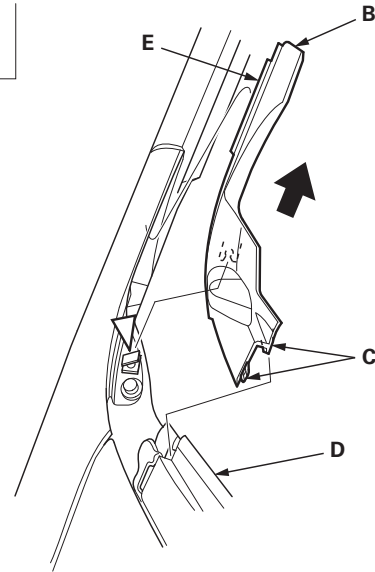
▷ : Clip, 1



### Passenger's cowl cover

#### Fastener Location

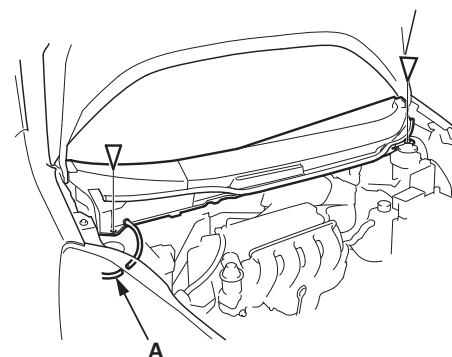
▷ : Clip, 1



3. Open the hood.
4. Remove the windshield wiper arms (see page 22-231).
5. Detach the clips from the cowl cover with a clip remover, then disconnect the windshield washer tube (A).

#### Fastener Locations

▷ : Clip, 2



(cont'd)

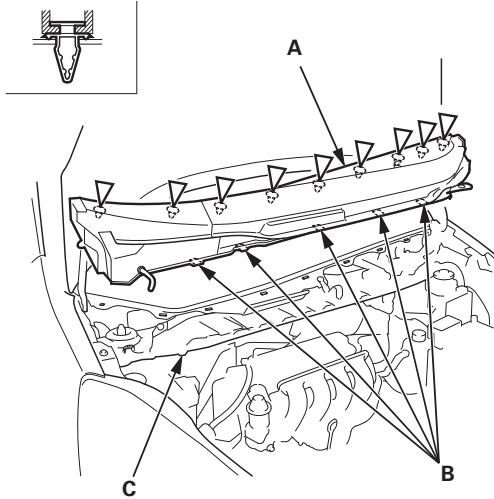
# Exterior Trim

## Cowl Cover Replacement (cont'd)

6. Detach the clips by carefully pulling the windshield side edge of the cowl cover (A) upward. Pull the cowl cover forward to release the front hooks (B) from the under-cowl panel (C), then remove the cover.

### Fastener Locations

▷ : Clip, 9 (Blue)



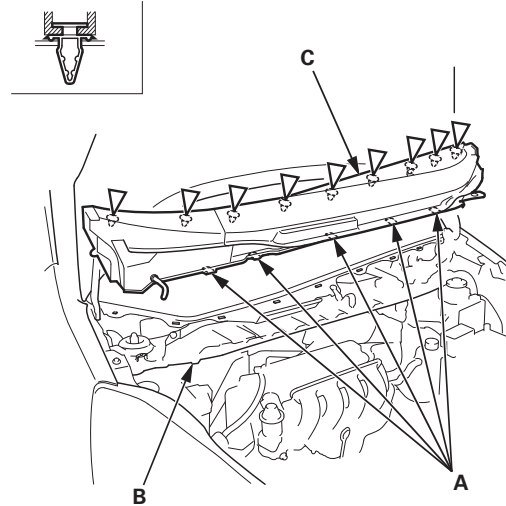
7. If the clips are damaged or stress-whitened, replace them with new ones.

## Installation

1. Install all of the front hooks (A) on the edge of the under-cowl panel (B), and fit the clips into the holes on the body, then push on the cowl cover (C) until the clips snap into place securely.

### Fastener Locations

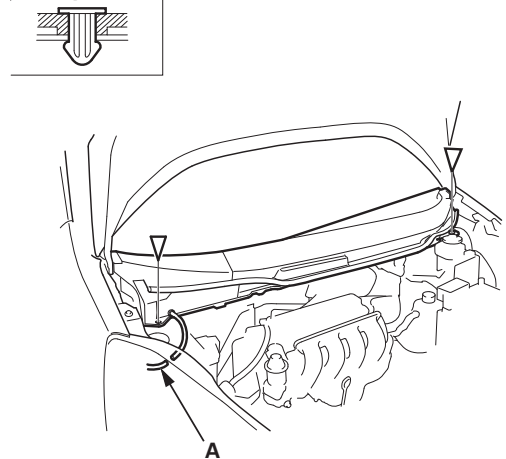
▷ : Clip, 9 (Blue)



2. Install the clips on the cowl cover, then connect the windshield washer tube (A) securely.

### Fastener Locations

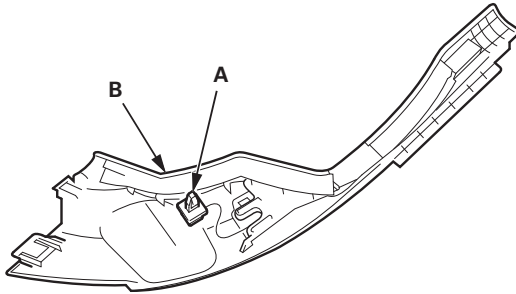
▷ : Clip, 2



3. Install the windshield wiper arms (see page 22-231).
4. Close the hood.



5. Install the clips (A) on both hood hinge covers (B). The passenger's hood hinge cover is shown; the driver's hood hinge cover is similar.



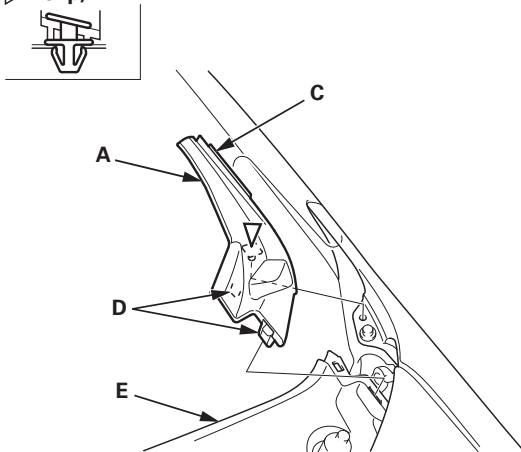
6. Install the hood hinge covers (A, B).

- 1. Install the rib (C) to the edge of the body.
- 2. Fit the clip and the hooks (D) into the holes in the body and the cowl cover (E), then push on the cover until they snap into place securely.

**Driver's cowl cover**

**Fastener Location**

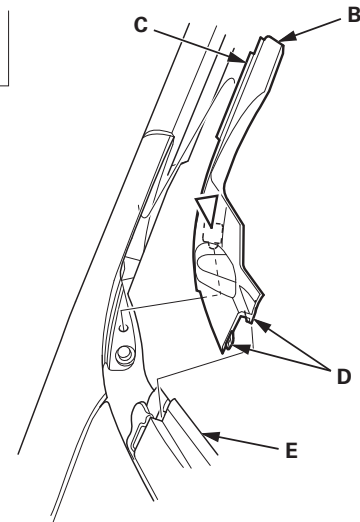
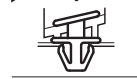
▷ : Clip, 1



**Passenger's cowl cover**

**Fastener Location**

▷ : Clip, 1



# Exterior Trim

## Roof Molding Replacement

### Special Tools Required

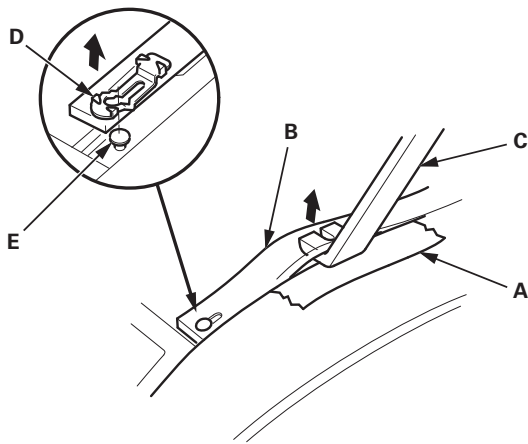
KTC Trim Tool Set SOJATP2014\*

\*Available through the Honda Tool and Equipment Program; call 888-424-6857

### NOTE:

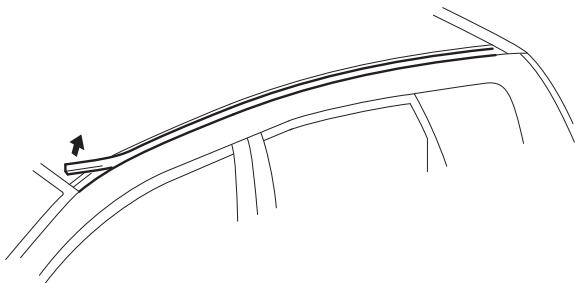
- Take care not to scratch the body.
- Take care not to bend the roof molding.
- Use the appropriate tool from the KTC trim tool set to avoid damage when removing components.

1. Apply protective tape (A) to the body. Pry up on the roof molding (B) with the appropriate trim tool (C).

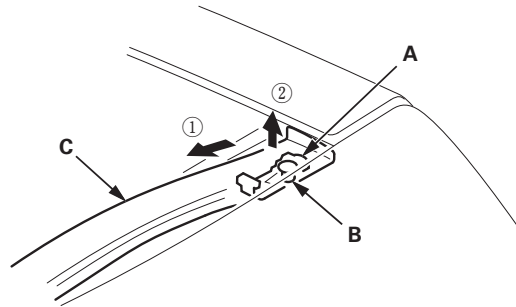


2. Pull up and slide the roof molding to release the front bracket (D) from the pin (E).

3. Pull up the front portion of the roof molding.

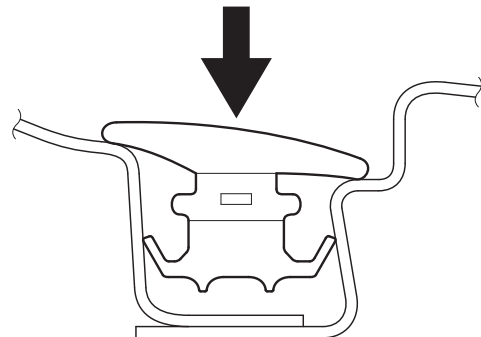


4. Pull up and release the rear bracket (A) from the pin (B), then remove the roof molding (C).



5. Install the molding in the reverse order of removal, and note these items:

- Take care not to damage the windshield molding.
- Make sure the roof molding is installed securely.







## Side Sill Panel Replacement

### For Some Models

1. Remove the side sill panel (A).

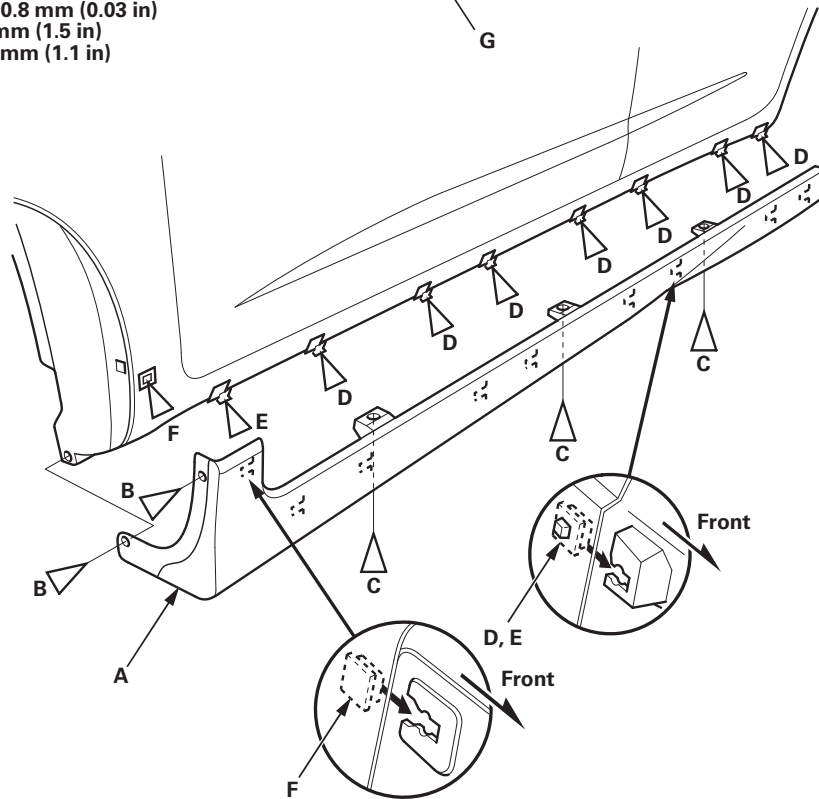
- 1. Remove the clips (B) on the back of the front wheel arch.
- 2. Remove the expansion clips (C).
- 3. Slide the side sill panel forward, and remove it. The side clips (D, E, F) will stay in the body.
- 4. Remove the side clips (D, E) from the body by turning them 45 °.
- 5. If necessary, use a utility knife to cut the double-sided adhesive tape (G) that holds the side clips (F) to the body.  
Take care not to scratch the body.

#### Fastener Locations

B ▷ : Clip, 2    C ▷ : Clip, 3    D ▷ : Clip, 7    E ▷ : Clip, 1    F ▷ : Clip, 1



Adhesive tape: Thickness 0.8 mm (0.03 in)  
Width 38 mm (1.5 in)  
Length 28 mm (1.1 in)



- 2. If the clips are damaged or stress-whitened, replace them with new ones.
- 3. Prepare the side clips (F) for installation by removing any remaining adhesive tape. Clean the side clip bonding surfaces with a shop towel dampened in isopropyl alcohol. Apply primer to the side clips, then attach new adhesive tape.
- 4. Clean the side clip body bonding surface with a shop towel dampened in isopropyl alcohol where adhesive tape will be attached.

(cont'd)

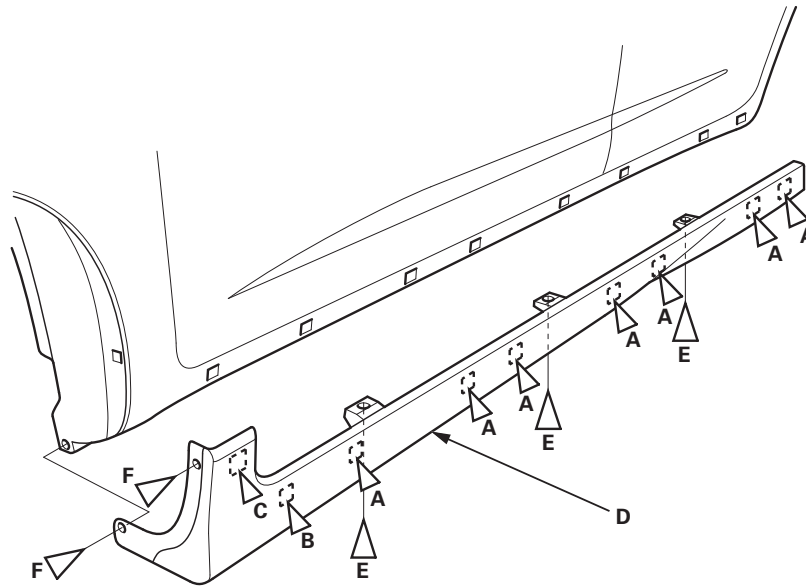
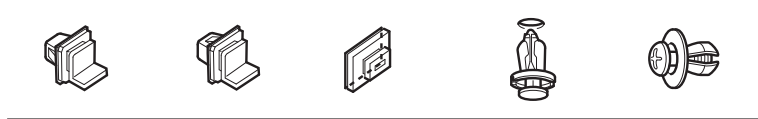
# Exterior Trim

## Side Sill Panel Replacement (cont'd)

5. Install the side clips (A, B, C) on the side sill panel (D).

### Fastener Locations

A ▷ : Clip, 7    B ▷ : Clip, 1    C ▷ : Clip, 1    E ▷ : Clip, 3    F ▷ : Clip, 2



6. Hold the panel up, and fit all the side clips into the holes in the body. Push on the panel until the clips snap into place, and press the adhesive tape into place.
7. Install the expansion clips (E).
8. Install the clips (F) on the back of the front wheel arch.



## Tailgate Spoiler Replacement

### Special Tools Required

KTC Trim Tool Set SOJATP2014\*

\*Available through the Honda Tool and Equipment Program; call 888-424-6857

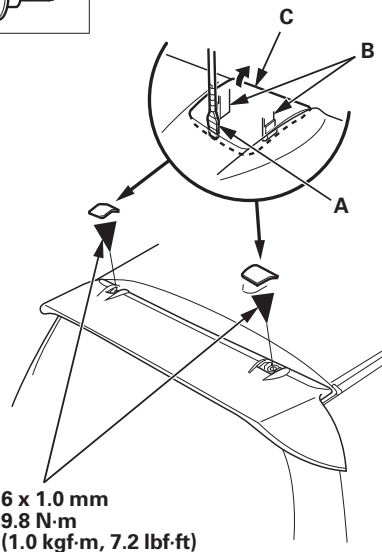
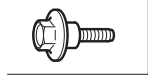
### For Some Models

#### NOTE:

- Take care not to scratch the body.
  - Use the appropriate tool from the KTC trim tool set to avoid damage when removing components.
1. Pry up at the notches (A) with a flat-tip screwdriver wrapped with protective tape to release the hooks (B), then remove the lids (C) from both sides.

#### Fastener Locations

▶ : Bolt, 2

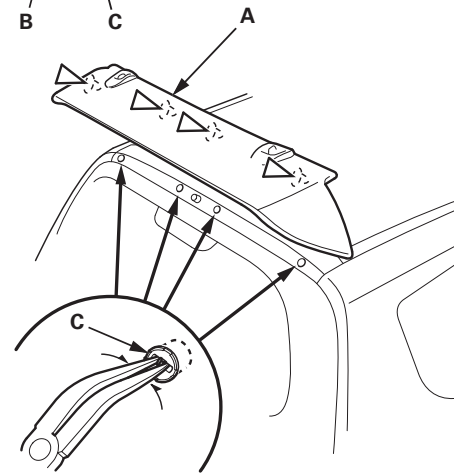
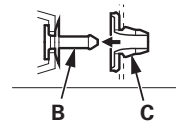


2. Remove the bolts.

3. Lift up on the tailgate spoiler (A) to detach the pins (B) of the clips from the grommets (C), then remove the spoiler.

#### Fastener Locations

▷ : Clip, 4



4. Remove the grommets from the tailgate with snap ring pliers.
5. If the grommets or the pins are damaged or stress-whitened, replace them. Always replace both the pin and the grommet if either is damaged.
6. Install the grommets on the pins by pushing them into place.
7. Install the spoiler in the reverse order of removal, and push the clips into place securely.

# Exterior Trim

## Rear License Trim Replacement

### NOTE:

- Put on gloves to protect your hands.
- Take care not to scratch the body.

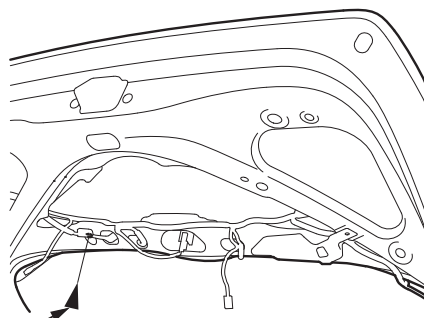
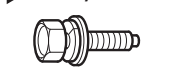
#### 1. Remove these items:

- Tailgate lower trim panel (see page 20-76)
- Rear window wiper arm (see page 22-231)

#### 2. From inside the tailgate, remove the bolt securing the rear license trim.

##### Fastener Location

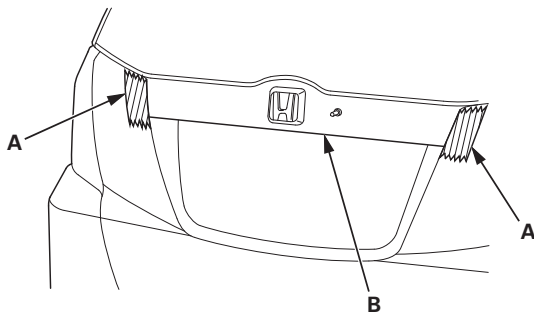
► : Bolt, 1



5 x 1.0 mm  
5 N·m  
(0.5 kgf·m, 4 lbf·ft)

#### 3. Close the tailgate.

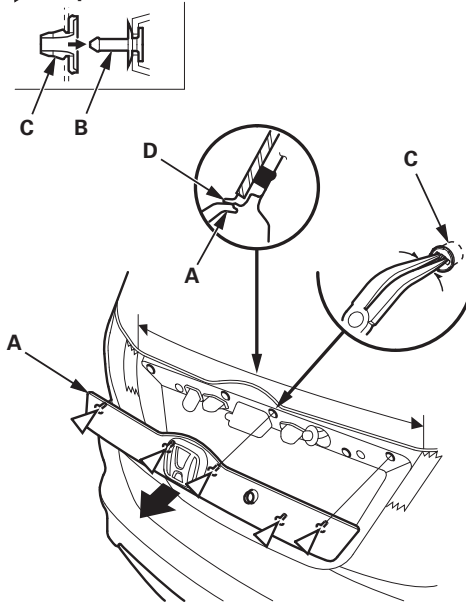
#### 4. Apply protective tape (A) to the tailgate beside both side edges of the rear license trim (B) as shown.



#### 5. First insert the appropriate trim tool in the outside edge of the rear license trim (A), and pry the clip to detach the pin (B) of the clip from the grommet (C). Repeat an opposite side, and pull out the trim to detach the remaining three clips, then remove the trim.

##### Fastener Locations

▷ : Clip, 5



#### 6. Remove the grommets from the tailgate with snap ring pliers.

#### 7. If the grommets or the pins are damaged or stress-whitened, replace them. Always replace both the pin and the grommet if either is damaged.

#### 8. Install the grommets on the pins by pushing them into place.

#### 9. Install the trim in the reverse order of removal, and note these items:

- If the clips are damaged or stress-whitened, replace them with new ones.
- Make sure the lip of the rear window rubber dam (D) is not pinched or rolled by the license plate trim. If needed, use a flat plastic spacer between the rubber dam and the trim during installation.
- Push the clips into place securely.



## Emblem/Sticker Replacement

NOTE: When removing the emblems/stickers, take care not to scratch the body.

1. To remove the front "H" emblem, remove the front grille (see page 20-159).
2. To remove the rear "H" emblem, remove the rear license trim (see page 20-168).
3. Clean the body surface with a shop towel dampened in isopropyl alcohol. After cleaning, keep oil, grease, and water from getting on the surface.
4. Apply the emblems/sticker where shown. When installing the ULEV sticker on the inside surface of the left quarter glass, align the sticker with the edge of the glass mark as shown, then press the sticker into place, and remove the application tape.
5. After installing the front "H" emblem, reinstall the front grille (see page 20-159).
6. After installing the rear "H" emblem, reinstall the rear license trim (see page 20-168).

