

Wipers/Washers

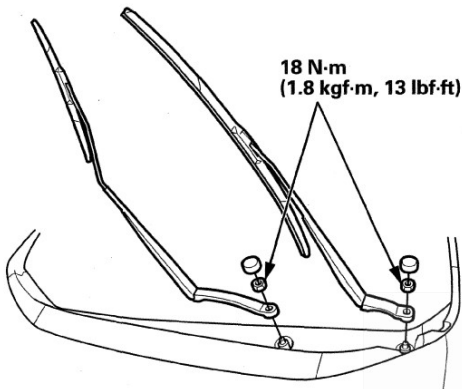
Wiper Arm Replacement

NOTE: Set the wiper arms to the auto-stop position before removal and installation.

Windshield

NOTE: Always pull up the driver's side wiper blade first.

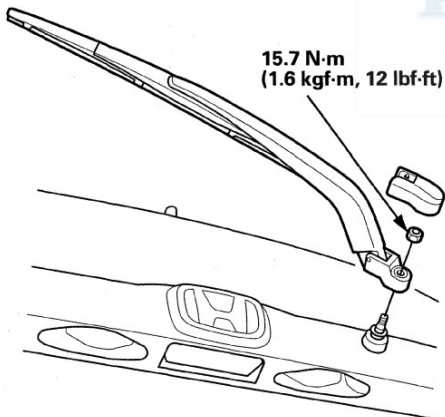
1. Remove the caps, the nuts, and the wiper arms.



Rear Window

NOTE: Be careful not to damage the tailgate.

1. Remove the cover, the nut, and the wiper arm.



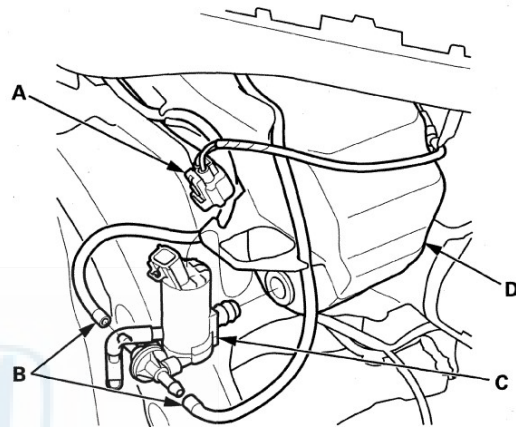
Washer Reservoir Replacement

1. Remove the front bumper (see page 20-144).
2. Disconnect the 2P connector (A) and tubes (B) from the washer motor (C) and the washer fluid level switch (Canada models).

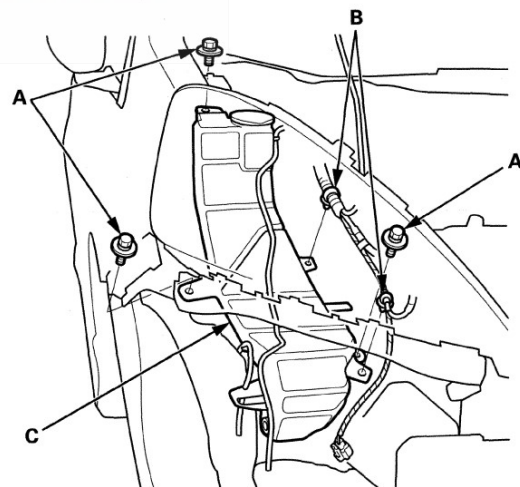
Washer Reservoir Capacity:

2.5 L (2.6 US qt): USA models

4.5 L (4.8 US qt): Canada models



3. Remove the washer motor from the washer reservoir (D).
4. Remove the bolts (A) and clips (B), then remove the washer reservoir (C).



5. Install the washer reservoir in the reverse order of removal. Check the washer motor operation.