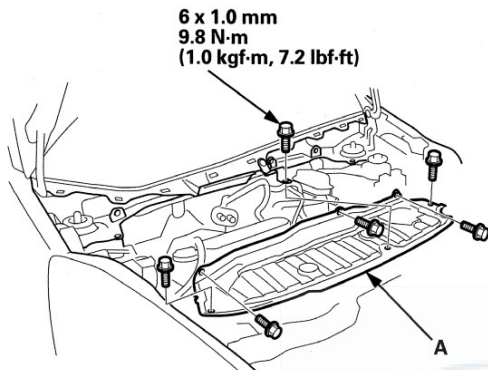




Under-Cowl Panel Replacement

NOTE: Take care not to scratch the body.

1. Remove these items:
 - Windshield wiper arms (see page 22-264)
 - Cowl cover (see page 20-168)
2. Remove the bolts, then remove the under-cowl panel (A).



3. Install the under-cowl panel in the reverse order of removal.

Front Crossmember Brace Replacement

Front Crossmember Brace Torque

NOTE: Take care not to scratch the body.

