

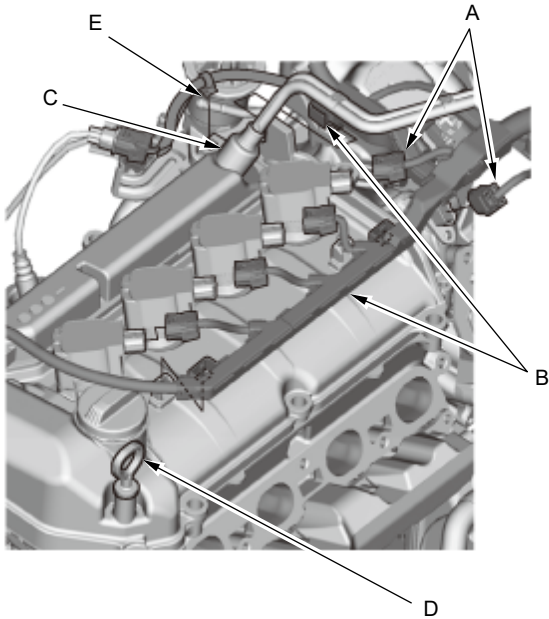
Cylinder Head Cover Removal and Installation

Removal

Cylinder Head Cover

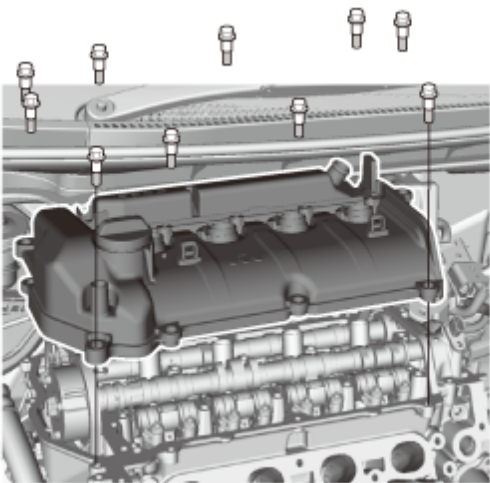
1. Intake Manifold - Remove

2. Cylinder Head Cover - Remove



1. Disconnect the connectors (A).
2. [Remove the four ignition coils.](#)
3. Remove the harness holder (B).
4. Disconnect the breather hose (C).
5. Remove the dipstick (D).
6. Remove the harness clamp (E).

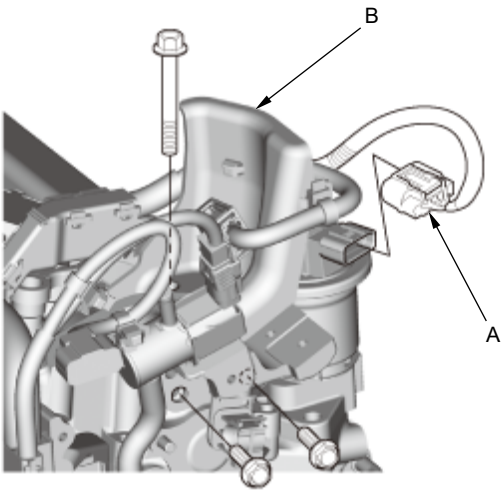
-
7. Remove the cylinder head cover.



High Pressure Fuel Pump Cover

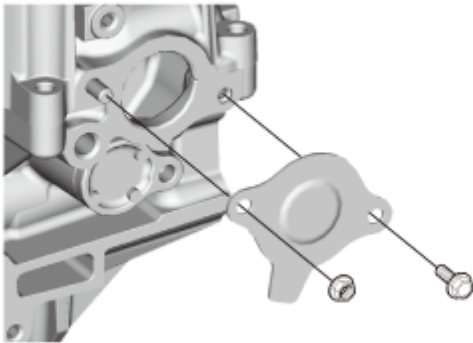
1. High Pressure Fuel Pump - Remove

2. High Pressure Fuel Pump Cover External Item - Remove



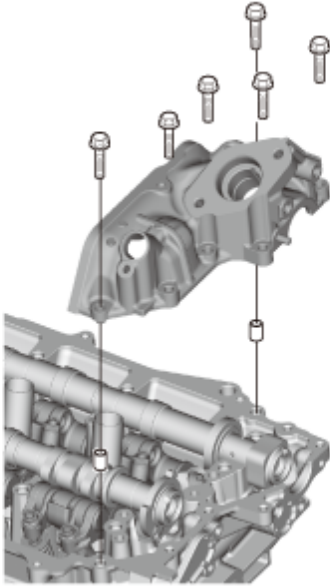
1. Disconnect the connector (A).
2. Remove the high pressure fuel pump bracket (B).

3. High Pressure Fuel Pump Cover - Remove



1. Remove the cam holder cover.
-

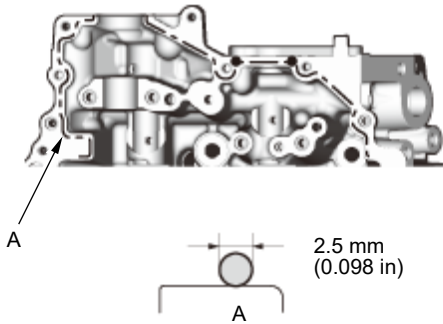
2. Remove the high pressure fuel pump cover.



Installation

High Pressure Fuel Pump Cover

1. High Pressure Fuel Pump Cover - Install



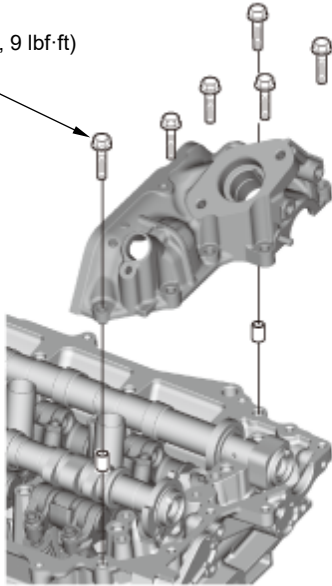
1. Remove all of the old liquid gasket from the cylinder head and the high pressure fuel pump cover.
2. Apply liquid gasket, (P/N 08717-0004, 08718-0003, or 08718-0009) on the cylinder head and the high pressure fuel pump cover mating areas. Install the component within 5 minutes of applying the liquid gasket.

NOTE:

- Apply a 2.5 mm (0.098 in) diameter bead of liquid gasket along the broken line (A).
- If too much time has passed after applying the liquid gasket, remove the old liquid gasket and residue, then reapply new liquid gasket.

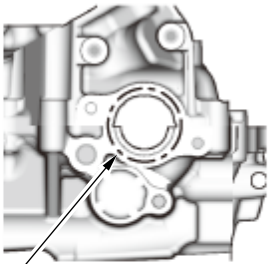
-
3. Install the high pressure fuel pump cover.

12 N·m
(1.2 kgf·m, 9 lbf·ft)

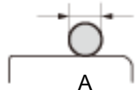


NOTE:

- Wait at least 30 minutes before filling the engine with oil.
- Do not run the engine for at least 3 hours after installing the high pressure fuel pump cover.



A



2.5 mm
(0.098 in)

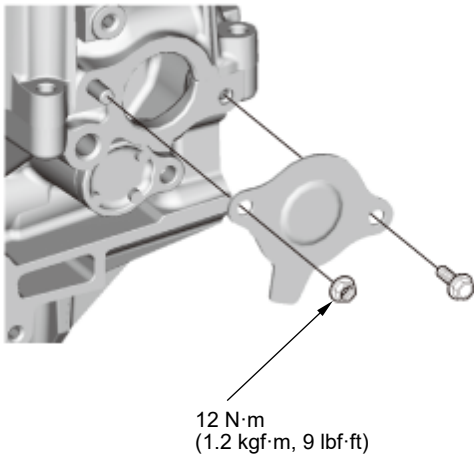
4. Remove all of the old liquid gasket from the cylinder head, the high pressure fuel pump cover, and the cam holder cover.

5. Apply liquid gasket, (P/N 08717-0004, 08718-0003, or 08718-0009) on the cam holder cover mating areas. Install the component within 5 minutes of applying the liquid gasket.

NOTE:

- Apply a 2.5 mm (0.098 in) diameter bead of liquid gasket along the broken line (A).
- If too much time has passed after applying the liquid gasket, remove the old liquid gasket and residue, then reapply new liquid gasket.

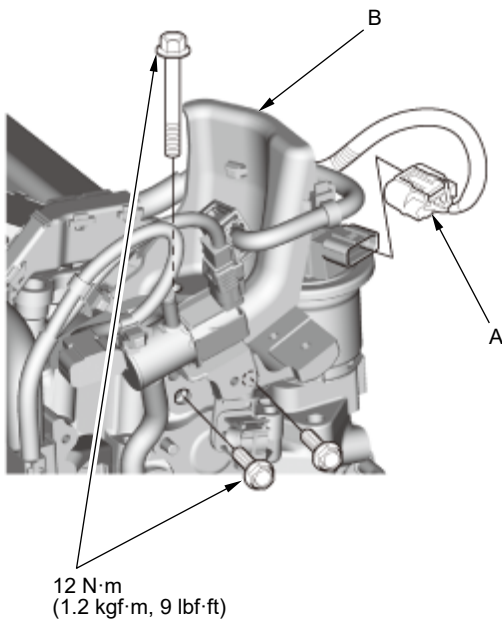
6. Install the cam holder cover.



NOTE:

- Wait at least 30 minutes before filling the engine with oil.
- Do not run the engine for at least 3 hours after installing the cam holder cover.

2. High Pressure Fuel Pump Cover External Item - Install



1. Connect the connector (A).
2. Install the high pressure fuel pump bracket (B).

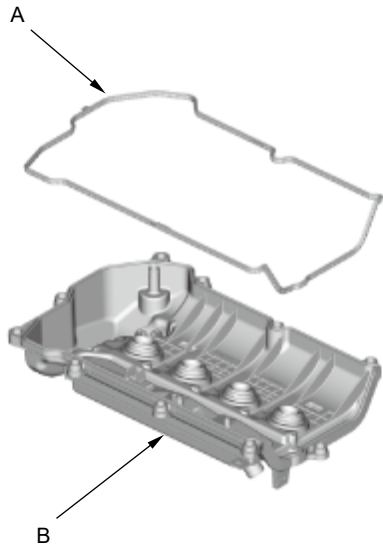
3. High Pressure Fuel Pump - Install

Cylinder Head Cover

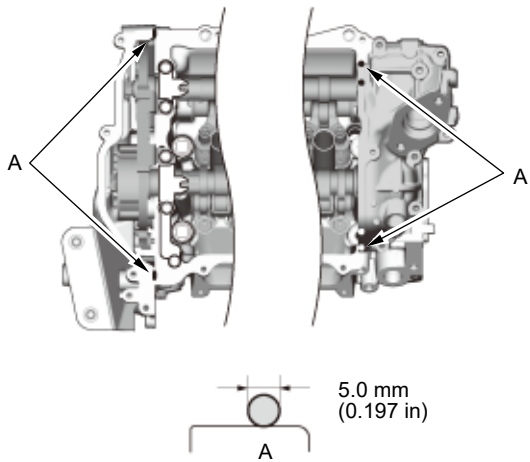
1. Cylinder Head Cover - Install

1. Thoroughly clean the head cover gasket (A) and the groove of the cylinder head cover (B).

NOTE: Check and if necessary, replace the head cover gasket.



2. Install the head cover gasket in the groove of the cylinder head cover. Make sure the head cover gasket is seated securely.
3. Remove all of the old liquid gasket from the chain case and the high pressure fuel pump base.
4. Clean the head cover contacting surfaces with a shop towel.

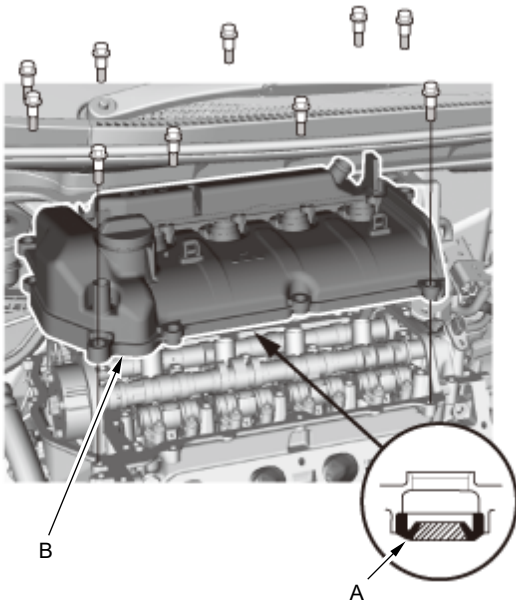


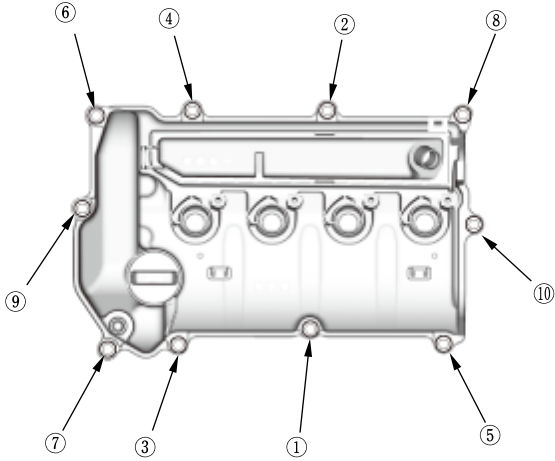
5. Apply liquid gasket, (P/N 08717-0004, 08718-0003, or 08718-0009) on the chain case and the No. 5 rocker shaft holder mating areas (A). Install the component within 5 minutes of applying the liquid gasket.

NOTE:

- Apply a 5.0 mm (0.197 in) diameter bead of liquid gasket to the chain case and the No. 5 rocker shaft holder contact areas.
- If too much time has passed after applying the liquid gasket, remove the old liquid gasket and residue, then reapply new liquid gasket.

6. Apply new engine oil to the rip of the spark plug seals (A). Place the cylinder head cover (B) on the cylinder head, then slide the cover slightly back and forth to seat the head cover gasket.

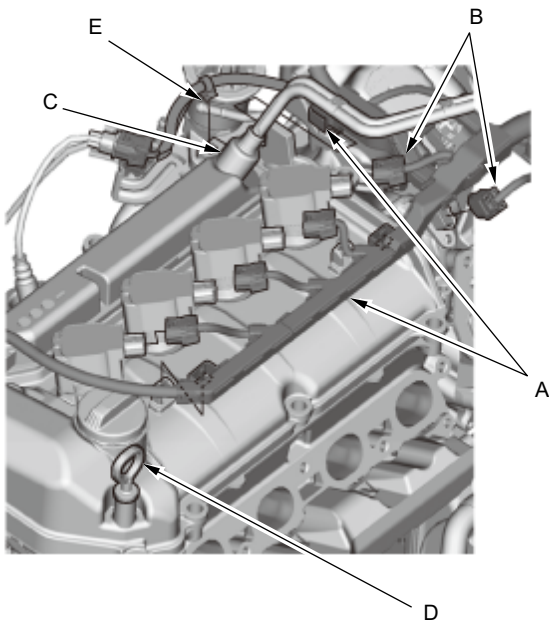




7. Tighten the bolts in two steps. In the final step torque bolts, in sequence, to 7 N·m (0.7 kgf·m, 5 lbf·ft).

NOTE:

- Wait at least 30 minutes before filling the engine with oil.
- Do not run the engine for at least 3 hours after installing the head cover.



8. Install the harness holder (A).

9. [Install the four ignition coils.](#)

10. Connect the connectors (B).

11. Connect the breather hose (C).

12. Install the dipstick (D).

13. Install the harness clamp (E).

2. Intake Manifold - Install