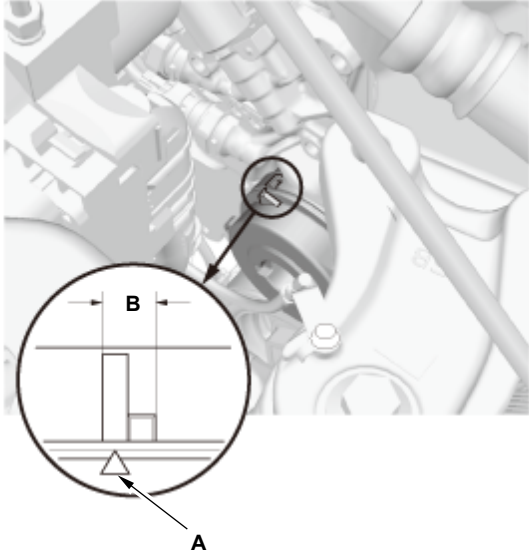


Drive Belt Auto-Tensioner Inspection

Inspection

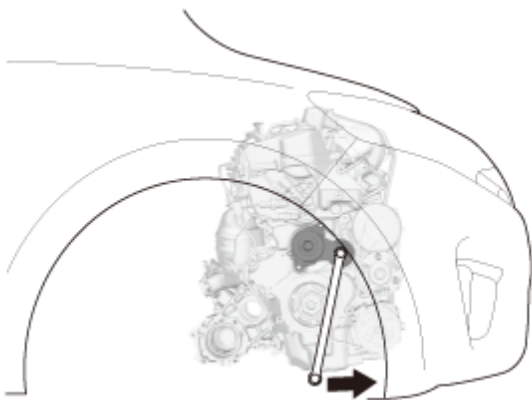
1. Drive Belt Auto-Tensioner - Position Check



1. Turn the vehicle to the ON mode, and make sure to turn the A/C switch OFF, then turn the vehicle to the OFF (LOCK) mode.
2. Check the position of the drive belt auto-tensioner indicator pointer (A) and the indicator (B).
3. Start the engine, then check the position again with the engine idling. If the position of the indicator moves or fluctuates a lot, [replace the drive belt auto-tensioner](#).
4. Check for abnormal noise from the tensioner pulley. If you hear any abnormal noise, [replace the drive belt auto-tensioner](#).

2. Drive Belt - Remove

3. Drive Belt Auto-Tensioner - Inspect



1. Move the drive belt auto-tensioner within its limit using a wrench in the direction of the arrow. Check that the drive belt auto-tensioner moves smoothly and without any abnormal noise. If the tensioner does not move smoothly, or if you hear any abnormal noise, [replace the drive belt auto-tensioner](#).

4. All Removed Parts - Install

1. Install the parts in the reverse order of removal.

