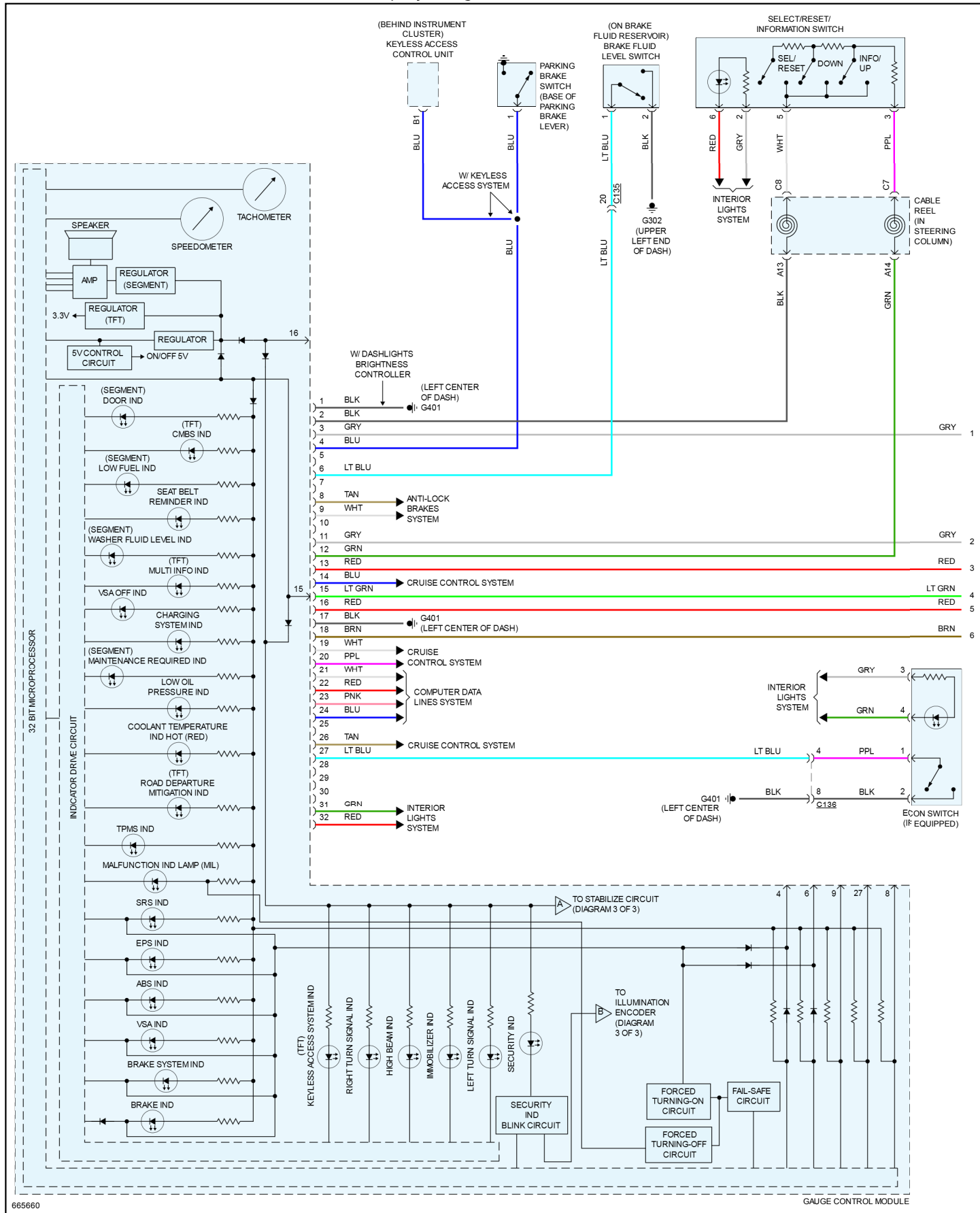


2019 Honda Fit L4-1.5L (L15B1)

Vehicle > Instrument Panel, Gauges and Warning Indicators > Diagrams > Electrical - Interactive Color (Non OE)

Instrument Cluster - W/ Multi-Information Display - Page 1 of 3



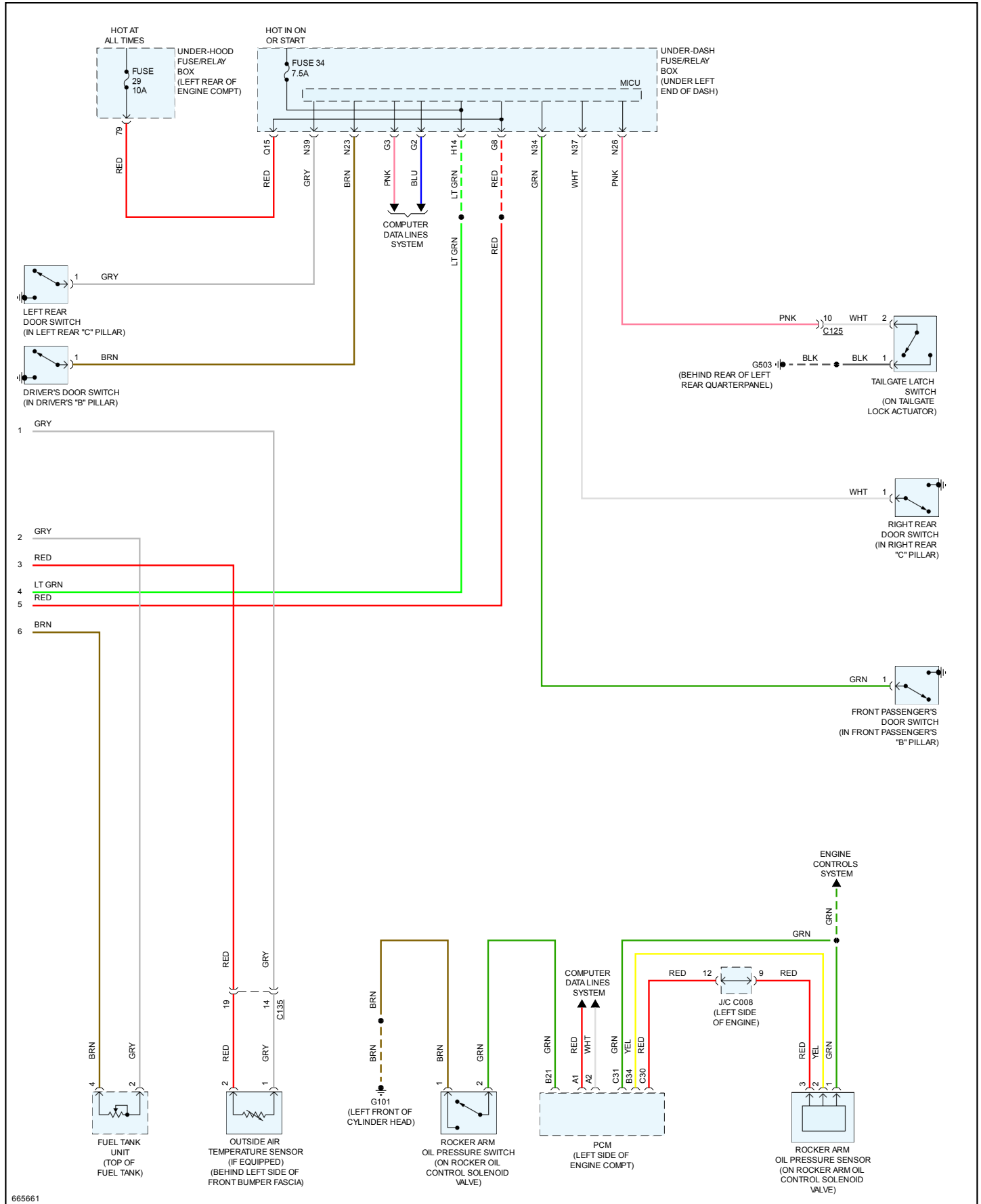
665660

GAUGE CONTROL MODULE

2019 Honda Fit L4-1.5L (L15B1)

Vehicle > Instrument Panel, Gauges and Warning Indicators > Diagrams > Electrical - Interactive Color (Non OE)

Instrument Cluster - W/ Multi-Information Display - Page 2 of 3

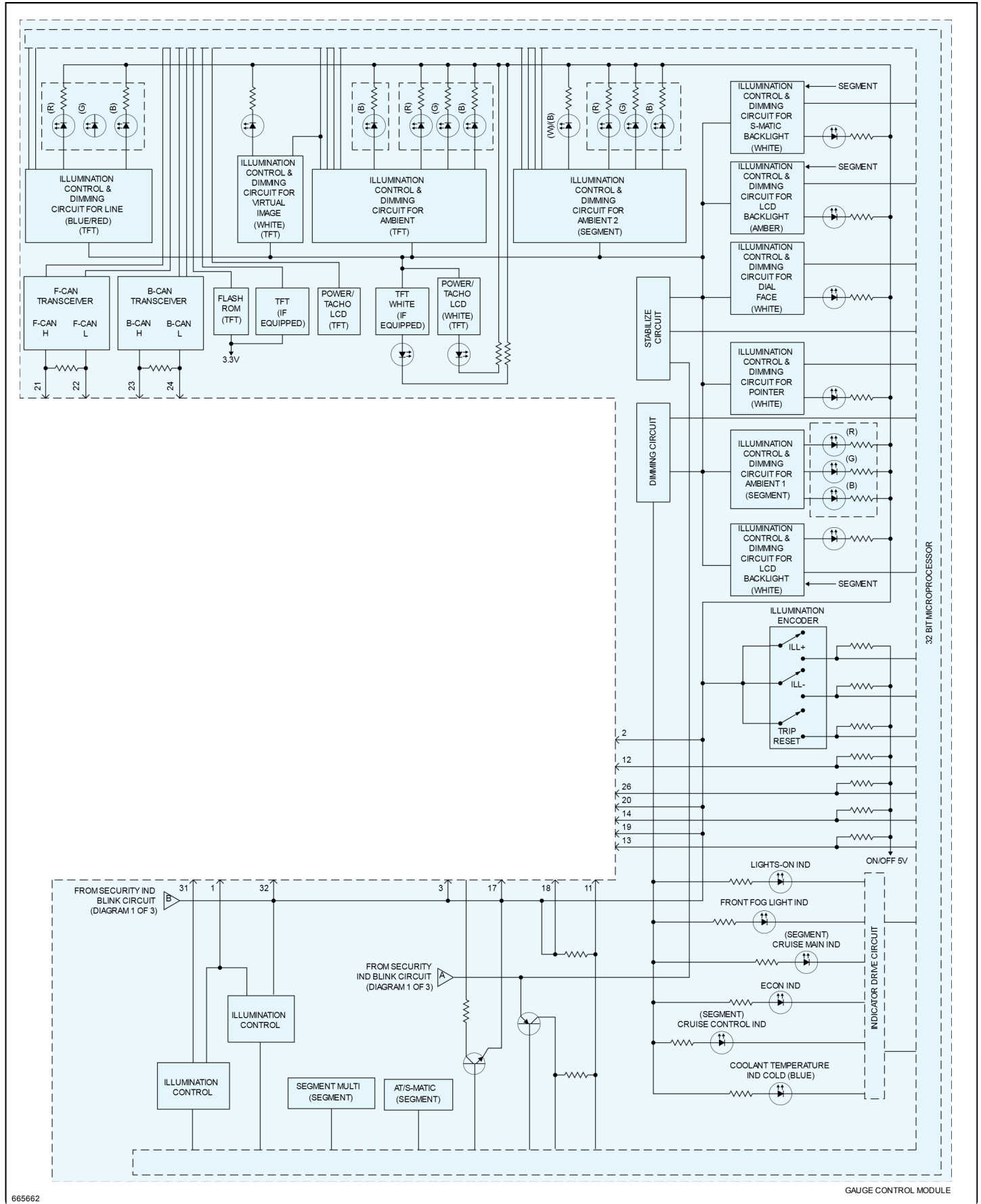


665661

2019 Honda Fit L4-1.5L (L15B1)

Vehicle > Instrument Panel, Gauges and Warning Indicators > Diagrams > Electrical - Interactive Color (Non OE)

Instrument Cluster - W/ Multi-Information Display - Page 3 of 3



665662

GAUGE CONTROL MODULE