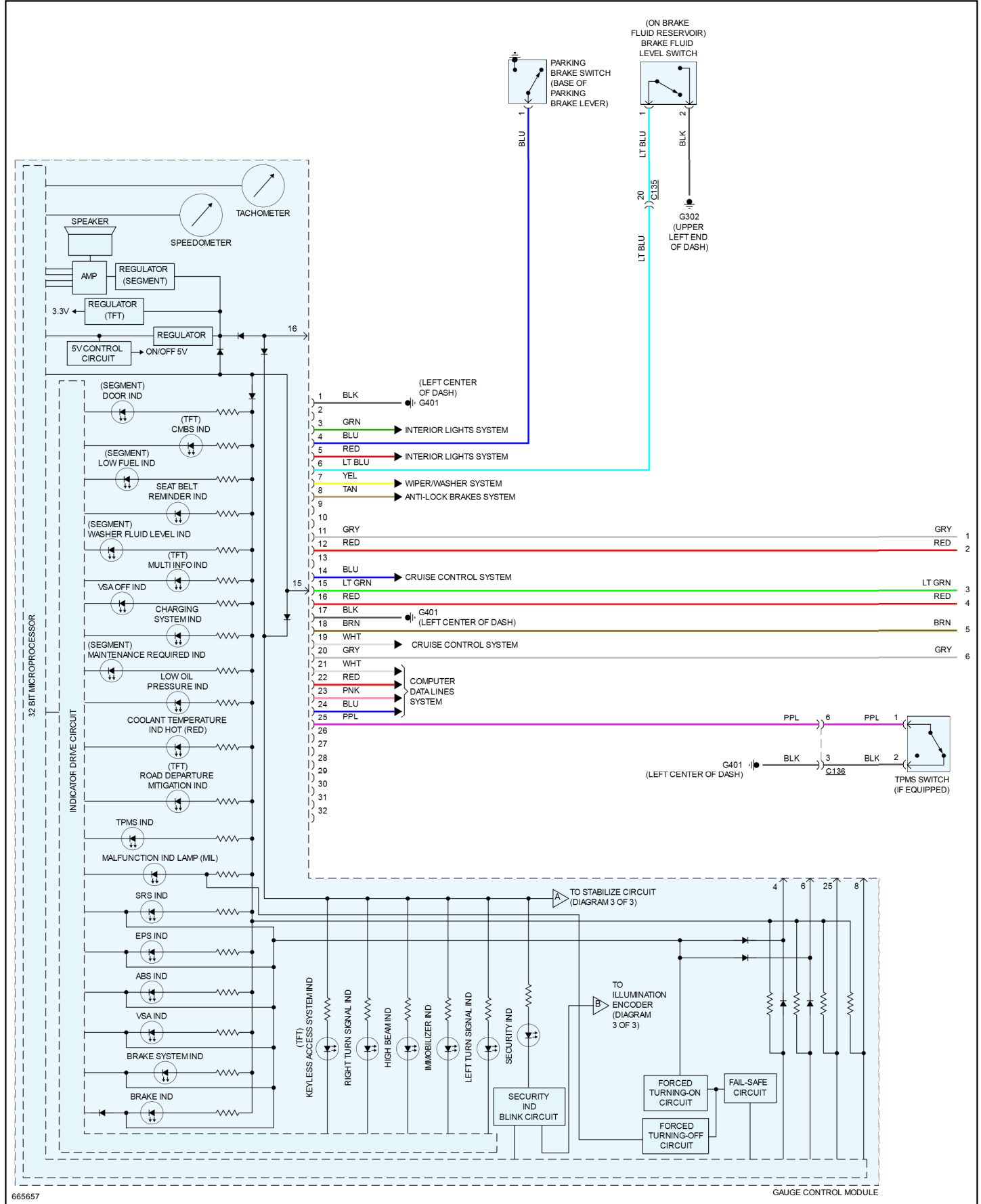


2019 Honda Fit L4-1.5L (L15B1)

Vehicle > Instrument Panel, Gauges and Warning Indicators > Diagrams > Electrical - Interactive Color (Non OE)

Instrument Cluster - W/O Multi-Information Display - Page 1 of 3

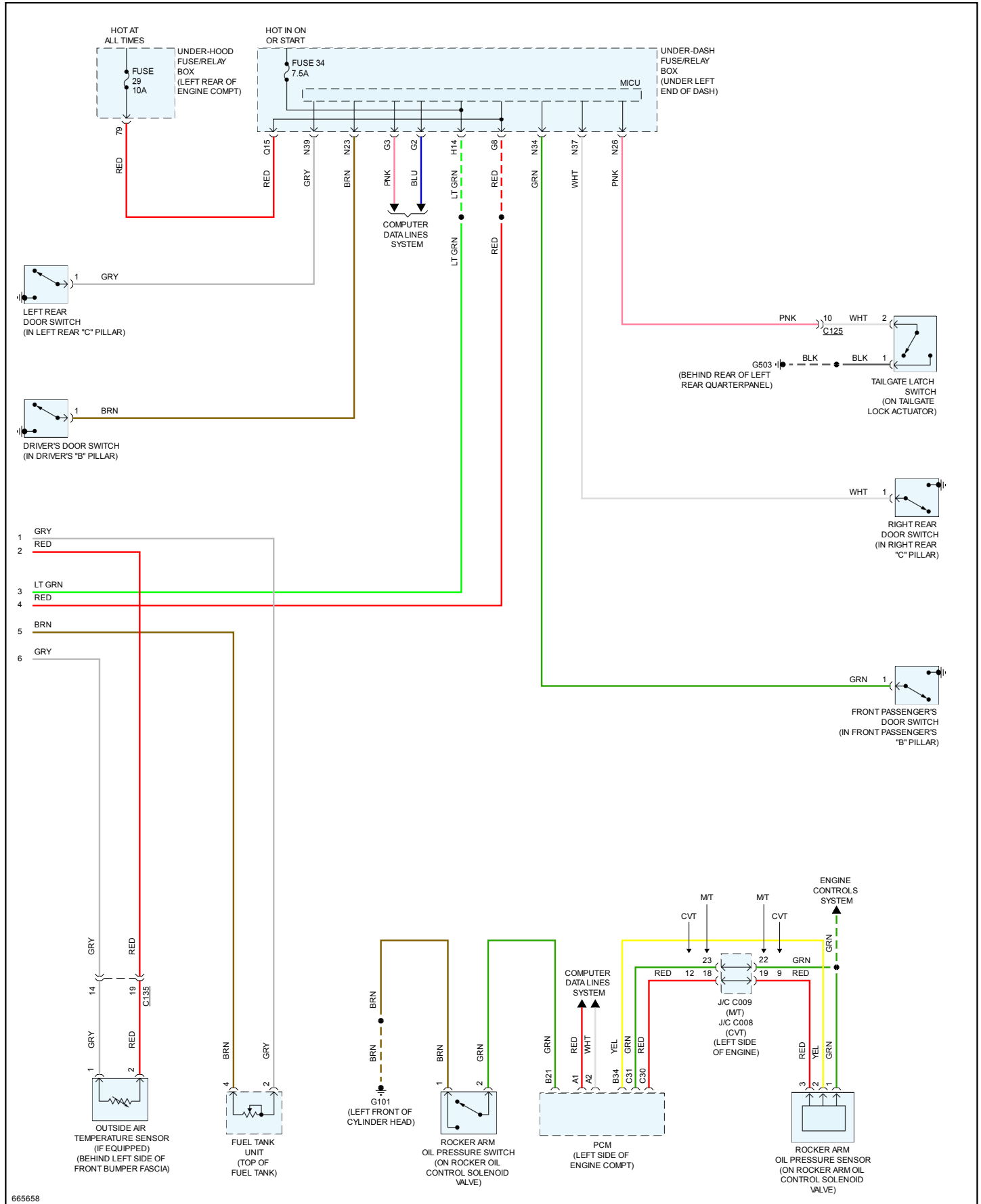


665657

2019 Honda Fit L4-1.5L (L15B1)

Vehicle > Instrument Panel, Gauges and Warning Indicators > Diagrams > Electrical - Interactive Color (Non OE)

Instrument Cluster - W/O Multi-Information Display - Page 2 of 3



665658

