

Your Current Vehicle: 2015 Honda Fit

Rate this article: ★ ★ ★ ★ ★

High Mount Brake Light Removal and Installation

NOTE

Applicable vehicles:

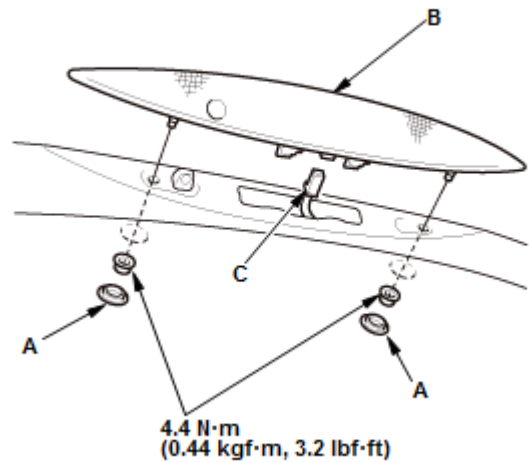
- 2015-16 Honda FIT

High Mount Brake Light Removal and Installation

Removal/Installation

Without Tailgate Spoiler

1. High Mount Brake Light - Remove

High Mount Brake Light: LED

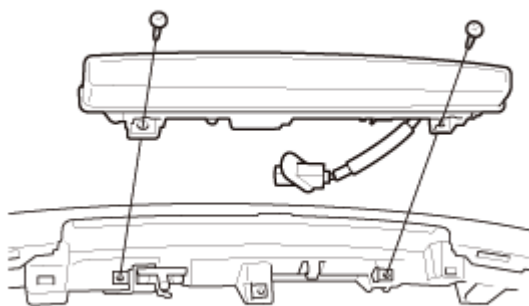
1. Remove the grommets (A).
2. Remove the high mount brake light (B).

3. Disconnect the connector (C).
2. All Removed Parts - Install
 1. Install the parts in the reverse order of removal.

With Tailgate Spoiler

1. Tailgate Spoiler Trim - Remove
2. High Mount Brake Light - Remove

High Mount Brake Light: LED



3. All Removed Parts - Install
 1. Install the parts in the reverse order of removal.

Copyright ©2018 by Chilton, an imprint of Cengage Learning

(/lh/Home/Index/mwell2Ai1zYRMJjEFhOYPSxGC0ceSjg1Z0Hy5ubSgR0-mDkk1)Home

Terms and Conditions (http://www.cengage.com/content/footer/terms_of_use.aspx)

Privacy Statement (http://www.cengage.com/content/footer/privacy_statement.aspx)

Contact Us (<http://www.cengage.com/contact/>)

