



## INSTALLATION INSTRUCTIONS

Accessory  
TAILGATE SPOILER  
P/N 08F02-T5A-100

Application  
2019 FIT

Publications No.  
**VERSION 1**  
Issue Date  
**APR 2018**

### PARTS LIST

Spoiler



Right cover



Left cover



2 Seals A



7 Seals B



5 Clips



Urethane tape



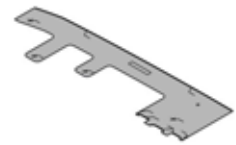
2-Pin connector



2 Jack nuts



Template



Screw



2 Screws with non-hardening thread lock sealant



Bracket



Rear washer tube



Exchange harness



2 Alcohol swabs



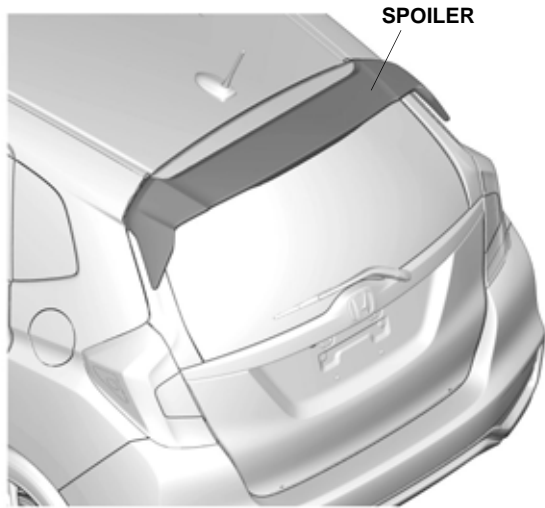
## TOOL AND SUPPLIES REQUIRED

Phillips screwdriver  
Masking tape  
Felt-tip pen  
Center punch  
Touch-up paint  
Drill  
3 mm Drill bit  
Utility knife  
Eye protection (face shield, safety goggles, etc.)  
10 mm and 14 mm Open end wrenches  
Ratchet  
8 mm and 10 mm Sockets  
Jack nut tool  
Scissors  
Steel wire  
Diagonal cutters  
Shop towel  
Needle nose pliers  
Ruler  
Electrical tape

*The following tools are available through the Honda Tool and Equipment Program. On the iN, click on Service > Service Bay > Tool and Equipment Program, then enter the number under "Search." Or, call 888-424-6857.*

- Plastic Trim Tool (T/N SILTRIMTL10)
- Trim Tool Set (T/N SOJATP2014)
- Rubber Roller (T/N MHLE54D)
- Rotabroach Hole Cutting Kit (T/N BLRII201SO)
- Deburring Tool (T/N DEBUR300)

## Illustration of the Tailgate Spoiler Installed on the Vehicle



QG10601AT

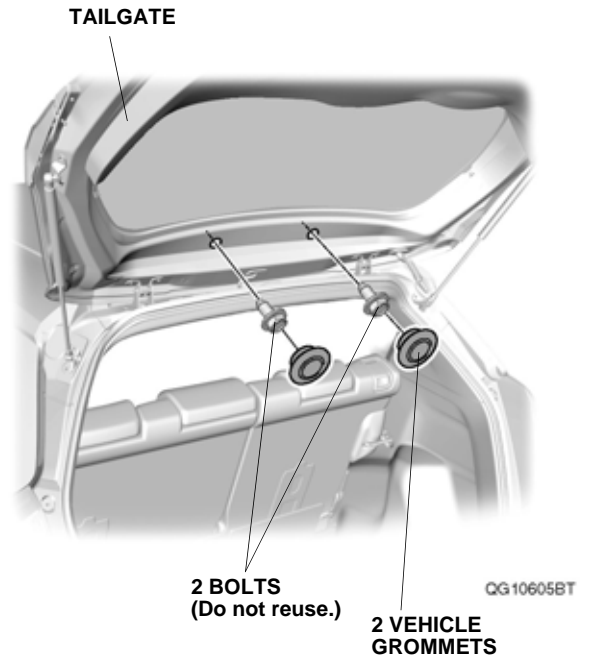
## INSTALLATION

**Customer Information:** The information in this installation instruction is intended for use only by skilled technicians who have the proper tools, equipment, and training to correctly and safely add equipment to your vehicle. These procedures should not be attempted by "do-it-yourselfers."

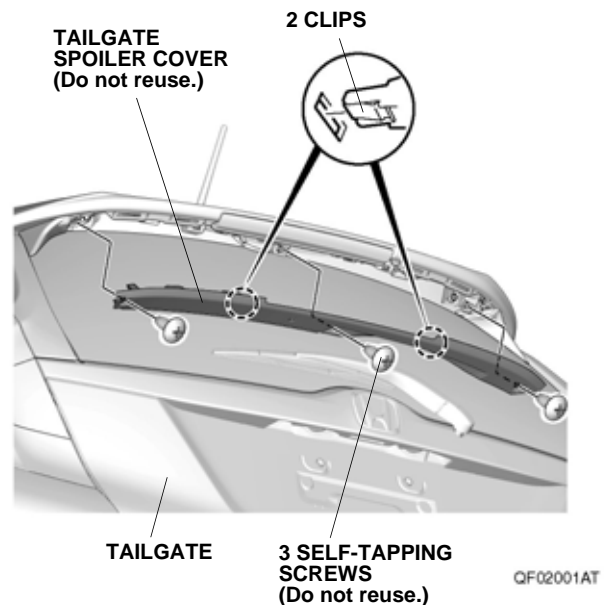
### NOTE:

- Make sure not to damage the body paint finish.
  - This kit should be installed only if the ambient air temperature is 15°C (60°F) or above.
  - To allow the adhesive to cure, do not wash the vehicle for 24 hours. Make sure your customer is aware of this.
1. Disconnect the negative battery cable from the battery.

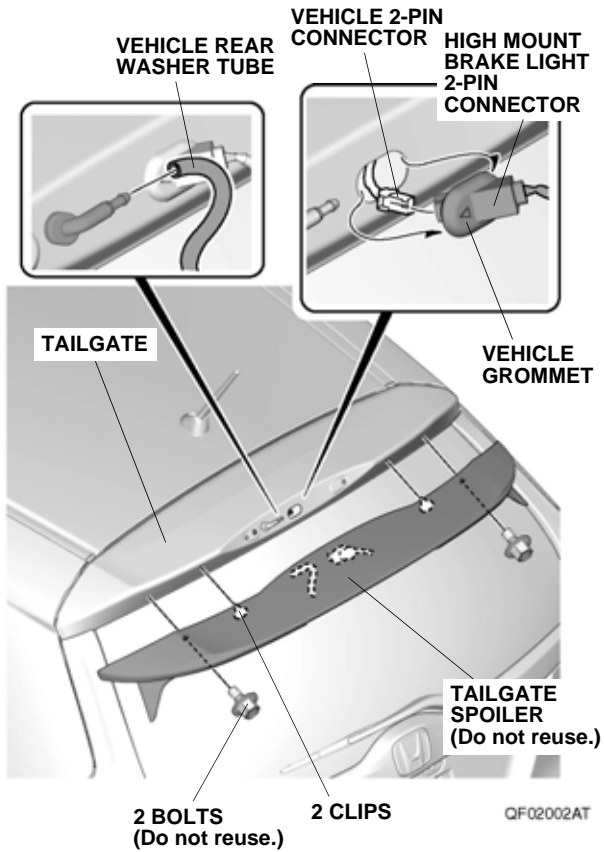
2. Open the tailgate, and remove the vehicle grommets and two bolts.



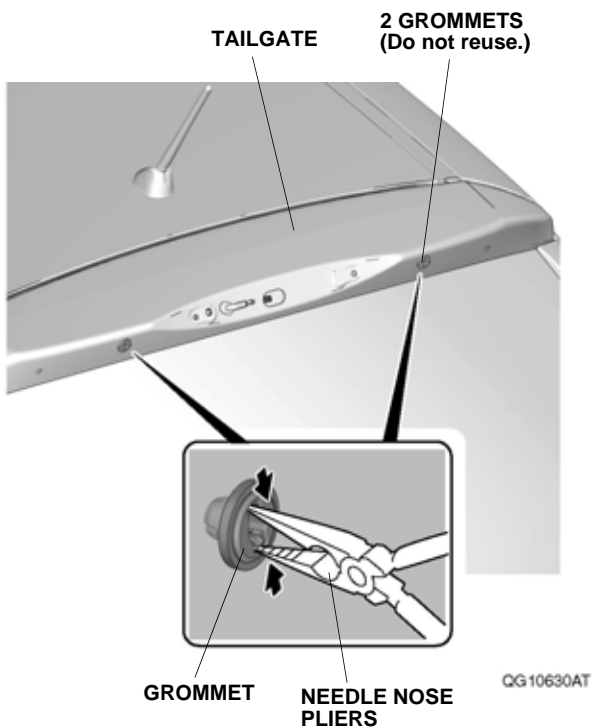
3. Install the two vehicle grommets.  
NOTE: Make sure the grommets are seated properly.
4. Close the tailgate, and remove the tailgate spoiler cover.



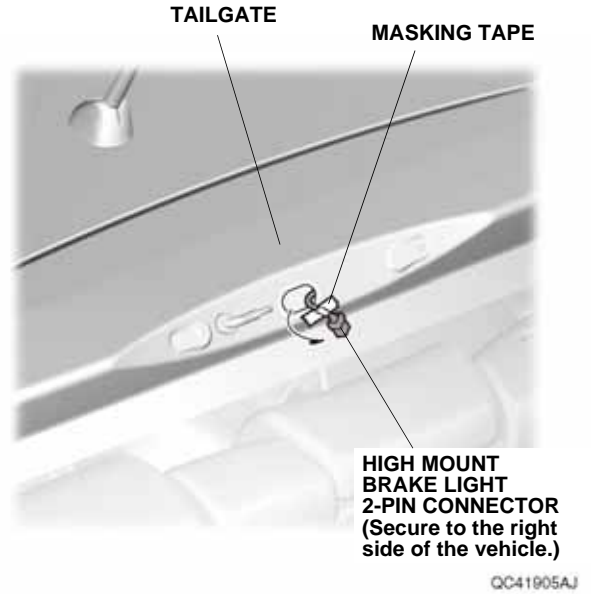
5. With the help of an assistant, remove the tailgate spoiler as shown.



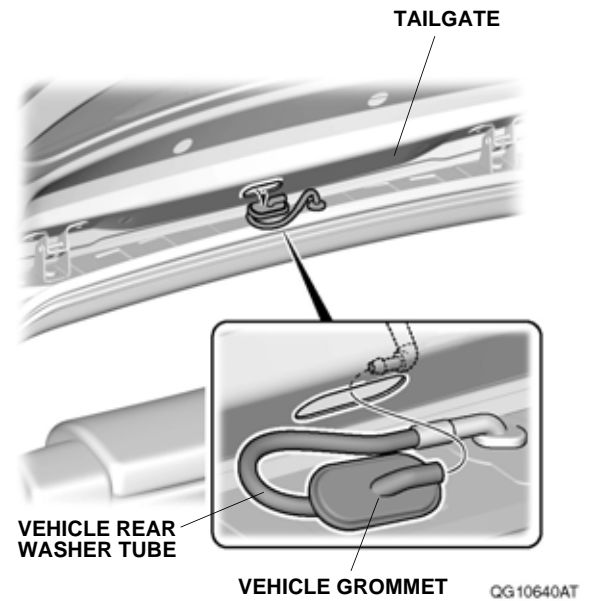
6. Remove the two grommets from the tailgate.



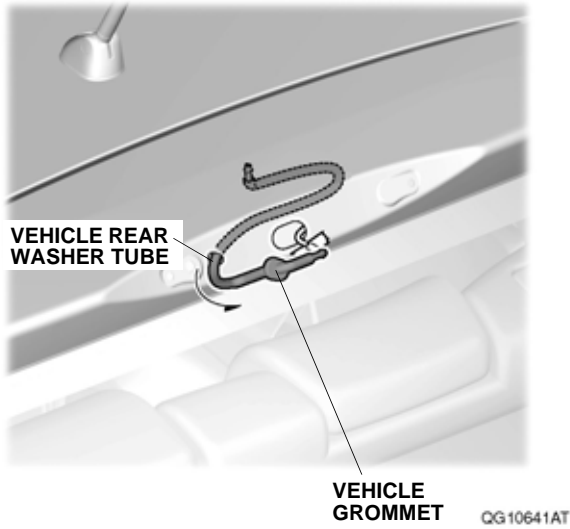
7. Secure the high mount brake light connector to the tailgate.



8. Open the tailgate, and disconnect the vehicle rear washer tube.

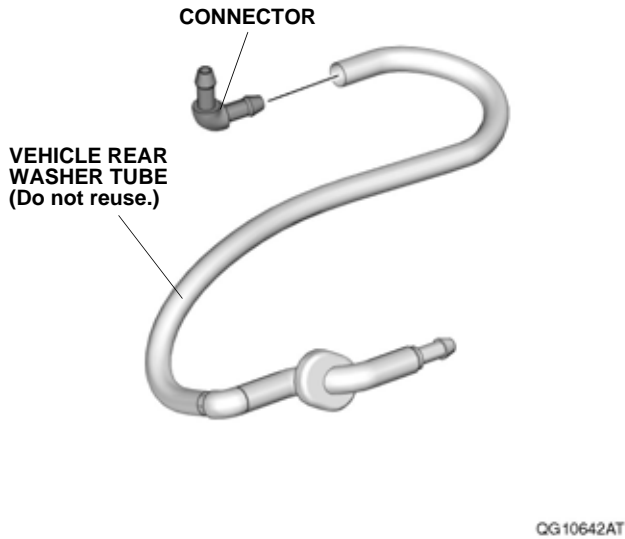


9. Close the tailgate, and remove the vehicle rear washer tube.

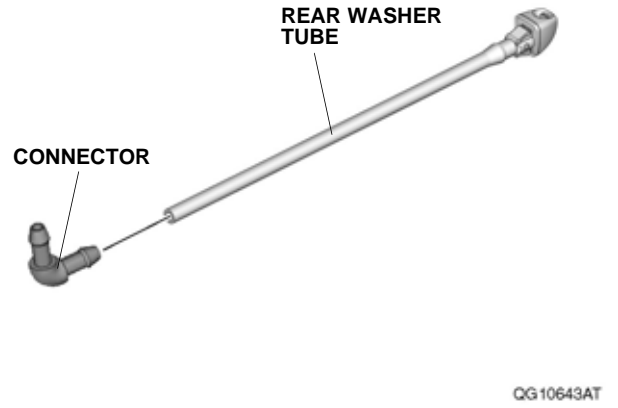


## Installing the Spoiler

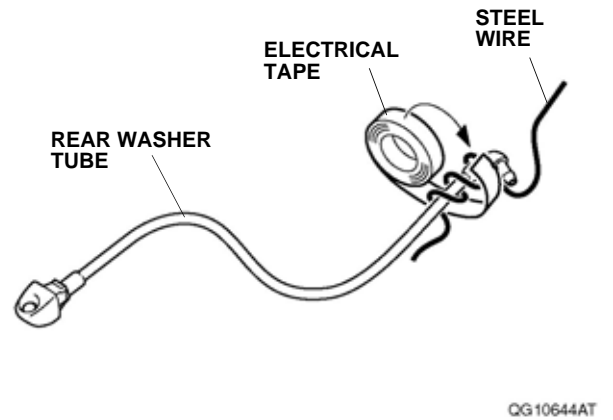
10. Remove the hose connector from the vehicle rear washer tube.



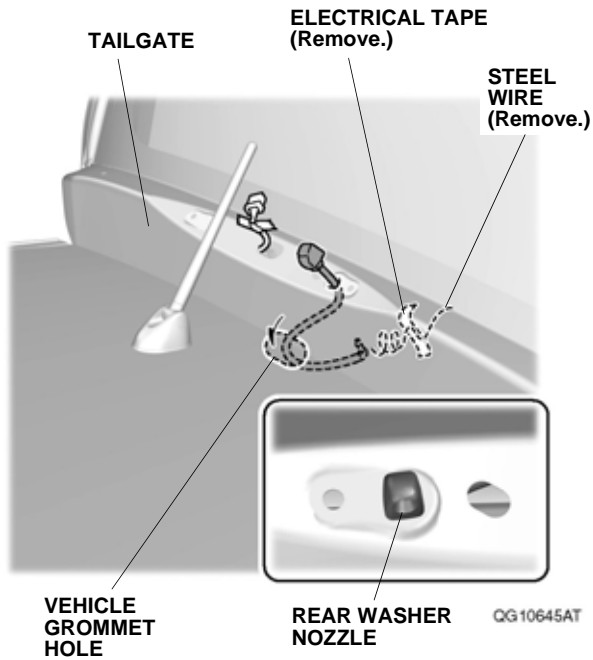
11. Install the hose connector on the rear washer tube.



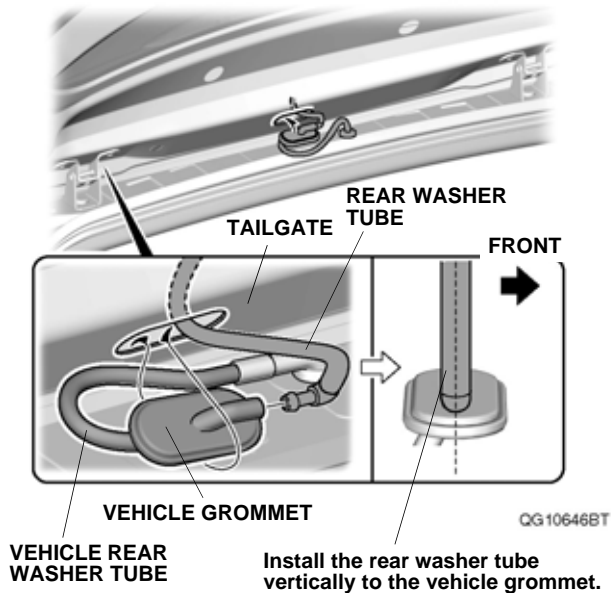
12. Secure the steel wire to the rear washer tube with electrical tape.



13. Open the tailgate. Route the rear washer tube, and install the rear washer nozzle as shown. Then, remove the steel wire.



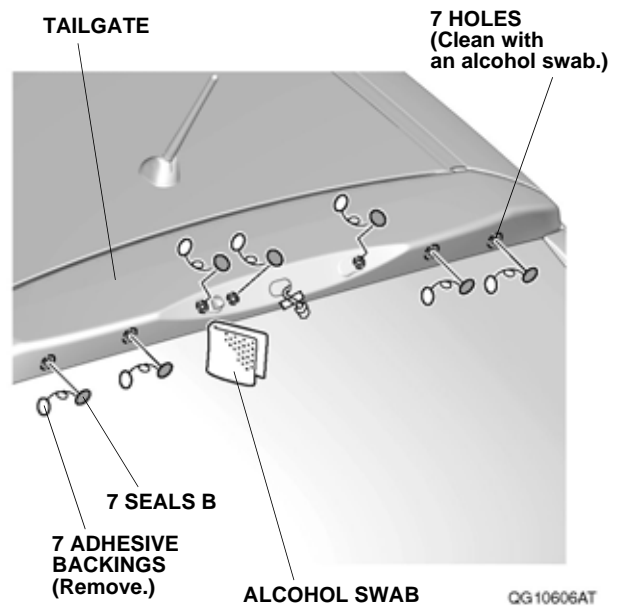
14. Connect the rear washer tube, and install the vehicle grommet.  
NOTE: Install the rear washer tube by holding the vehicle grommet. Make sure the grommet is seated properly.



15. Close the tailgate, and connect the negative cable to the battery. Turn the ignition to ON, and test the rear washer.

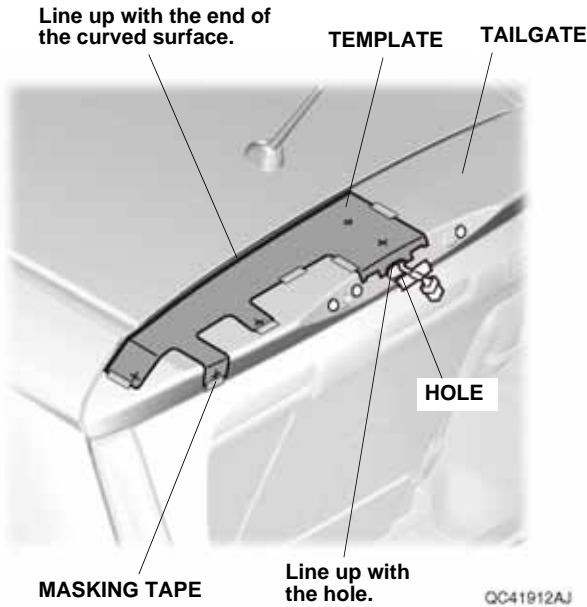
NOTE:

- Do not spray the harness or connector.
  - Check the rear washer tube for fluid leaks.
16. Turn the ignition to OFF, and disconnect the negative battery cable from the battery.
17. Using an alcohol swab, thoroughly clean the tailgate where the seals B will attach.

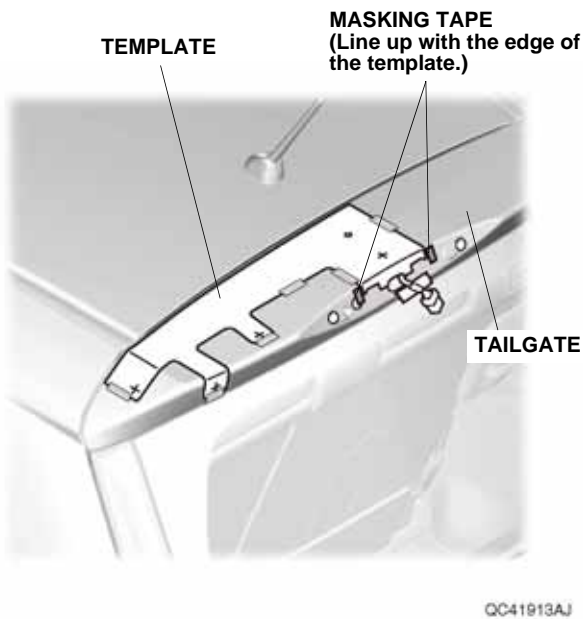


18. Remove the adhesive backings. Attach seven seals B to the tailgate as shown.

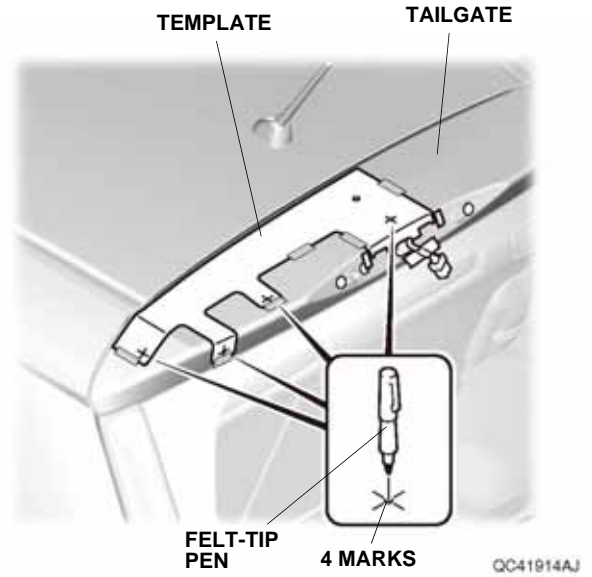
19. Line up the template with the tailgate as shown. Secure the template to the tailgate with masking tape.



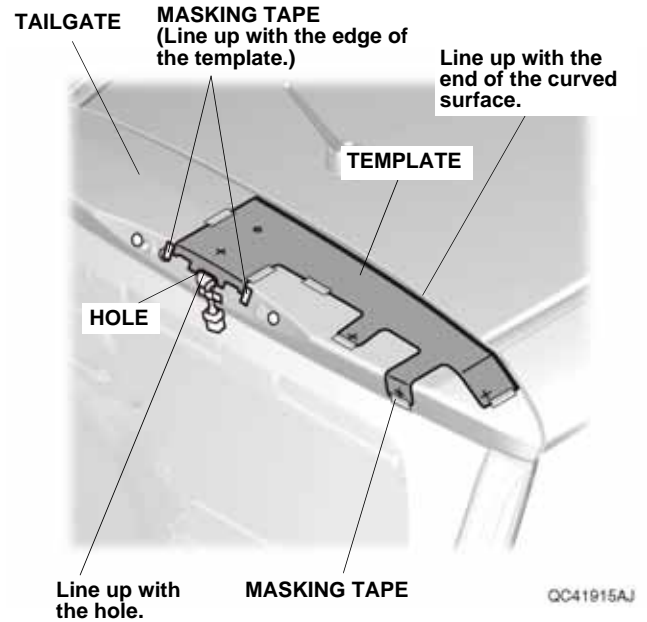
20. Use masking tape to mark the center location of the template.



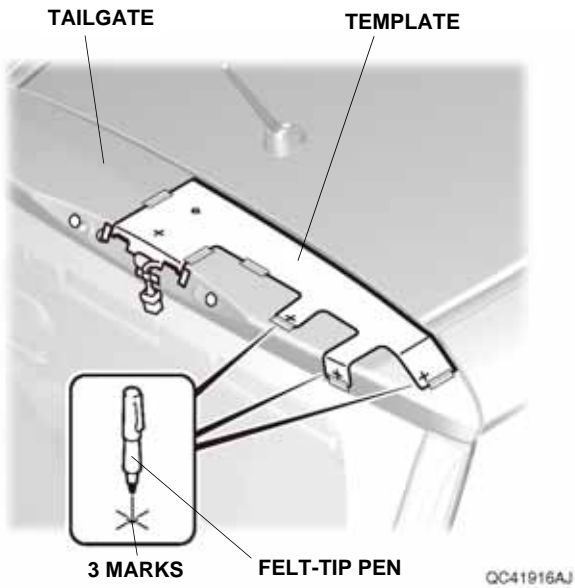
21. Using a felt-tip pen, mark the tailgate through the holes in the template. Remove the template.



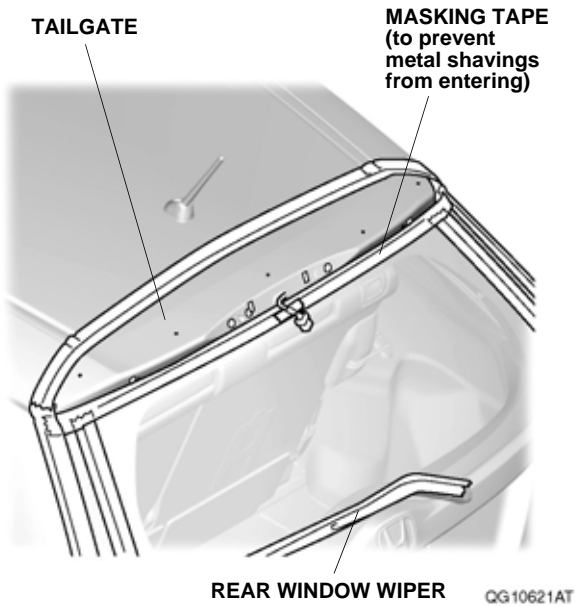
22. Turn the template over, and line up the template with the masking tape in Step 20 and the tailgate as shown. Then, secure the template to the tailgate with masking tape.



23. Using a felt-tip pen, mark the tailgate through the holes in the template. Remove the template.



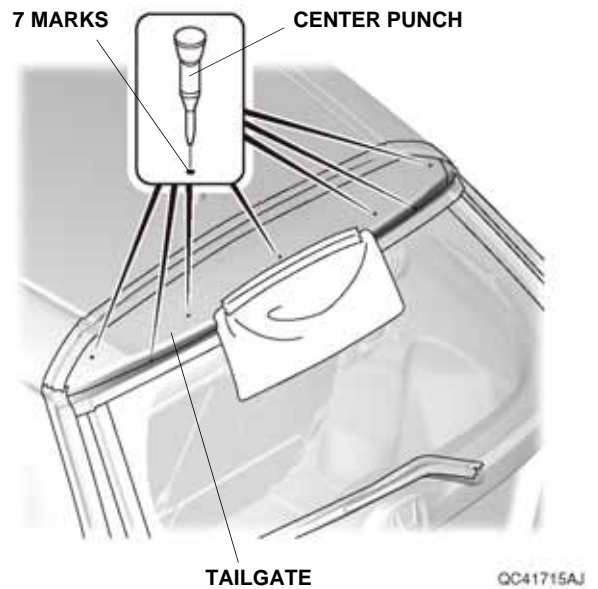
24. To prevent metal shavings from entering into the cargo area, attach masking tape to the tailgate and rear window wiper as shown.



25. To prevent metal shavings from entering into the holes, tape a shop towel to the tailgate as shown.



26. Lightly center-punch the seven marks on the tailgate.  
NOTE: Set the center punch to the minimum power setting.

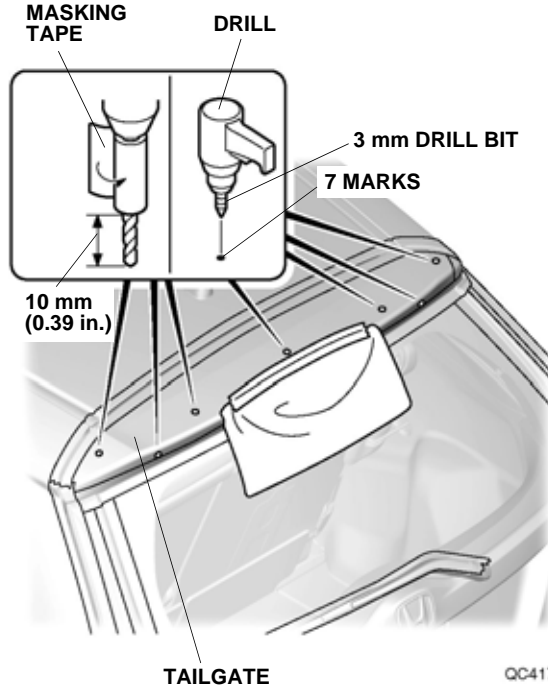




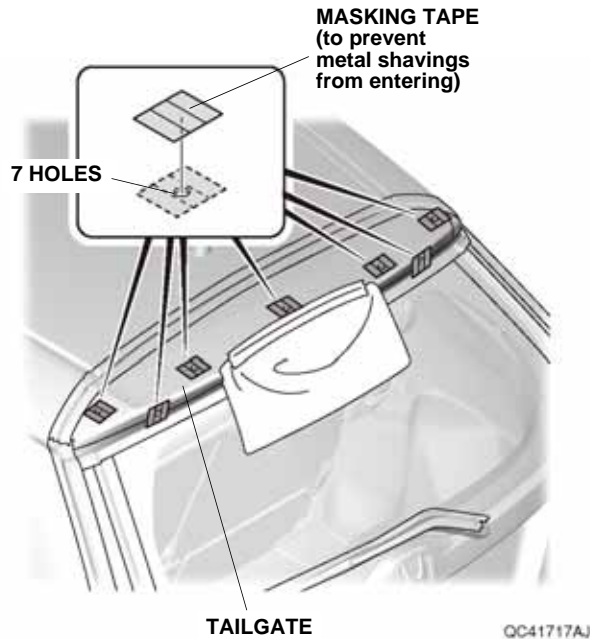
27. While wearing eye protection, drill the seven marks to 3 mm.

NOTE:

- Be careful not to damage the vehicle harness.
- Wrap masking tape around the drill bit 10 mm (0.39 in.) away from the tip or use a drill stop.
- Drill perpendicular to the tailgate.



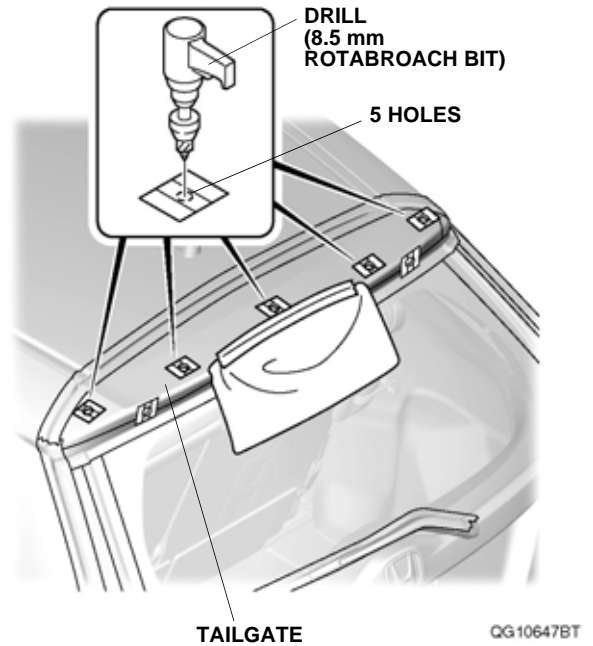
28. Attach masking tape over the seven holes as shown.



29. While wearing eye protection, use an 8.5 mm Rotabroach bit to drill five holes.

NOTE:

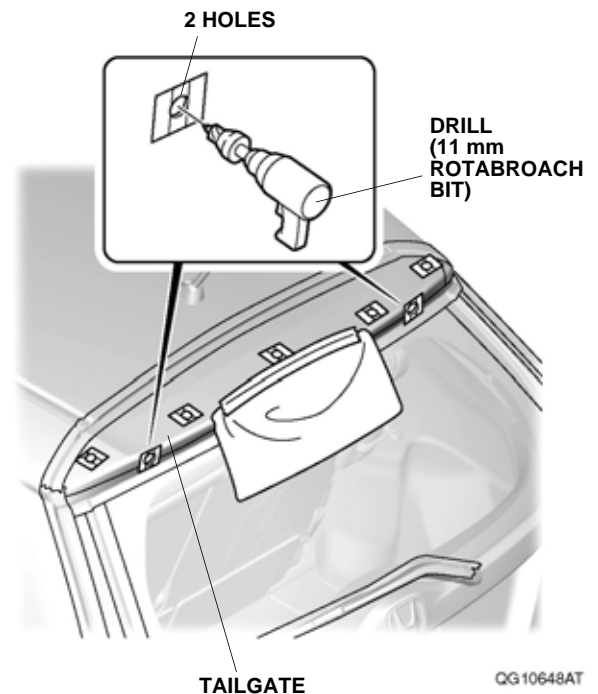
- Be careful not to damage the vehicle harness.
- Drill perpendicular to the tailgate.



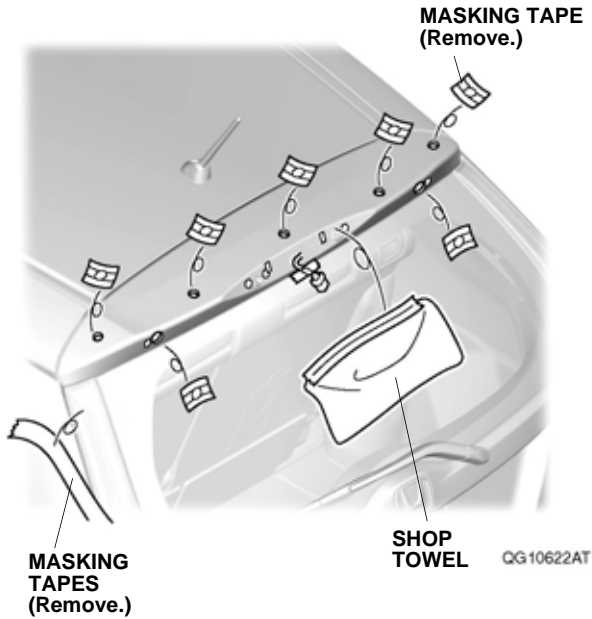
30. While wearing eye protection, use an 11 mm Rotabroach bit to drill two holes.

NOTE:

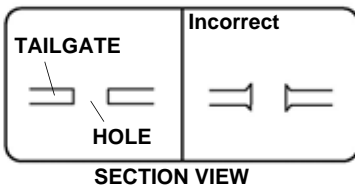
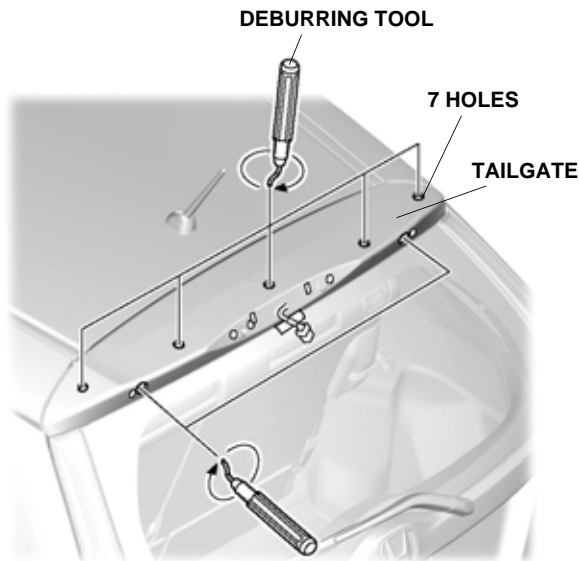
- Make sure to drill the correct position.
- Drill perpendicular to the tailgate.
- Be careful not to damage the vehicle harness.



31. Remove the shop towel and masking tape.



32. Using a deburring tool, remove burrs from all of the holes.  
 NOTE: To ensure proper clip engagement, remove any metal shavings or burrs.

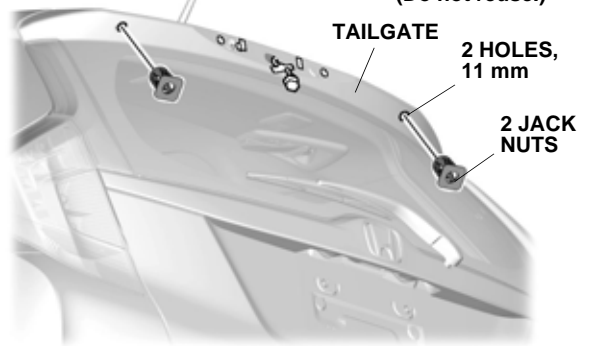
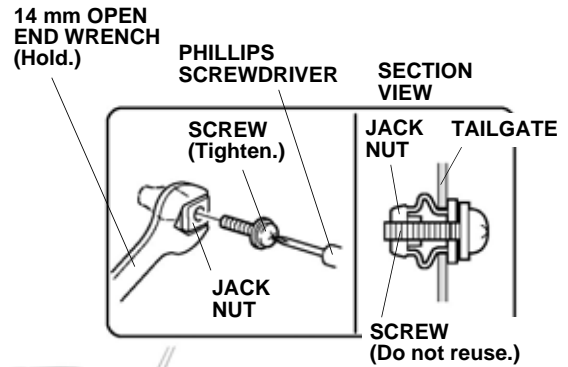


QG10660AT

33. Apply touch-up paint to the edges of the holes, and allow the touch-up paint to dry.

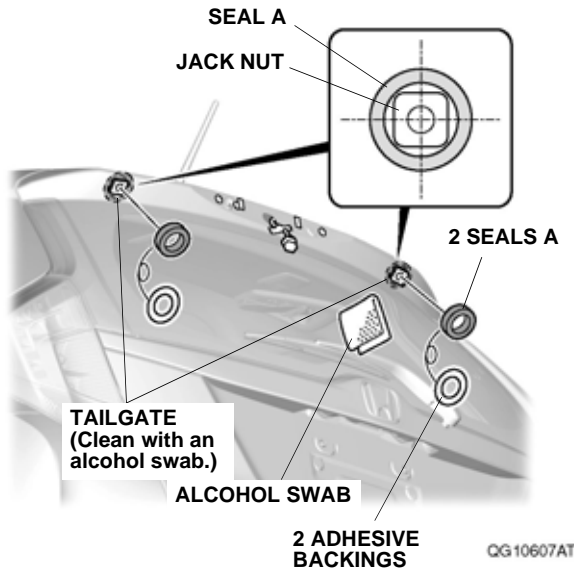
34. Insert two jack nuts into the drilled holes, and secure the jack nuts using a jack nut tool. If a jack nut tool is not available, secure the jack nut as shown.

- Be careful not to damage the body paint.
- Thread the screw into the jack nut. While holding the jack nut with a 14 mm open end wrench, tighten the screw.
- Tighten the screw until the jack nut is fully collapsed, then remove the screw.

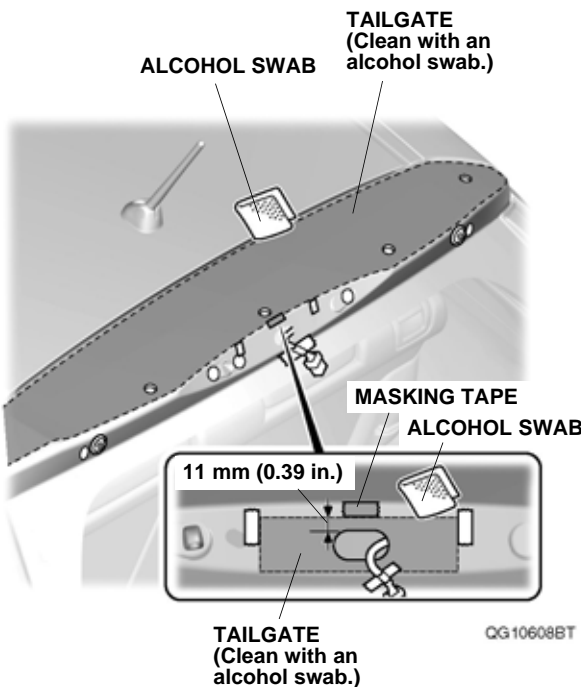


QG10661AT

35. Using an alcohol swab, thoroughly clean the tailgate where the seals A will attach.

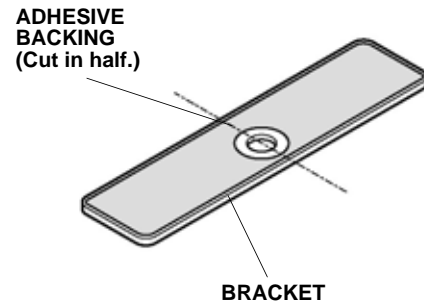


36. Remove the two adhesive backings. Attach two seals A to the tailgate as shown.
37. Using an alcohol swab, thoroughly clean the tailgate where the spoiler and the bracket will attach.  
NOTE: Any oil or dirt remaining on the tailgate will affect the performance of the adhesive tape, which could cause gaps or spoiler lifting.

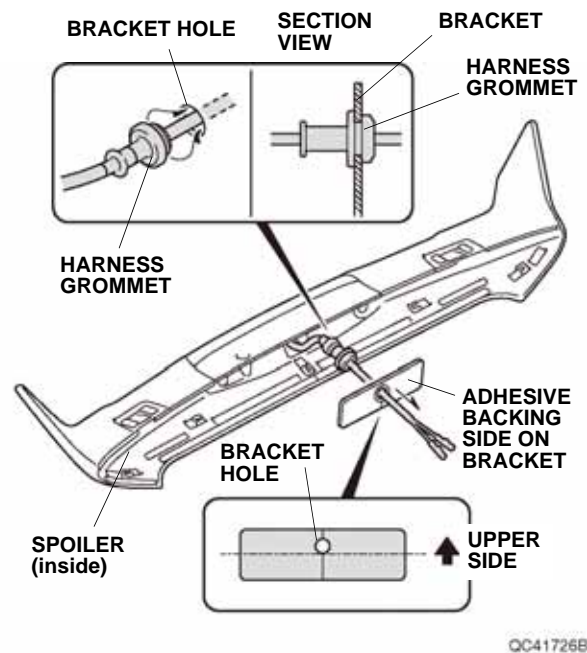


38. Use masking tape, to mark the tailgate as shown.

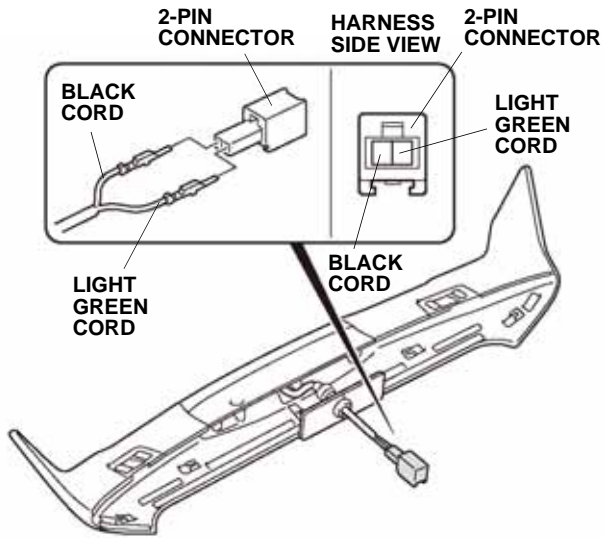
39. Using a utility knife, cut the adhesive backing of the bracket as shown.



40. Route the harness through the bracket hole, and secure the harness grommet to the bracket hole as shown.  
NOTE: Check the orientation of the bracket. Install the harness by holding the grommet. Make sure the grommet is seated properly.

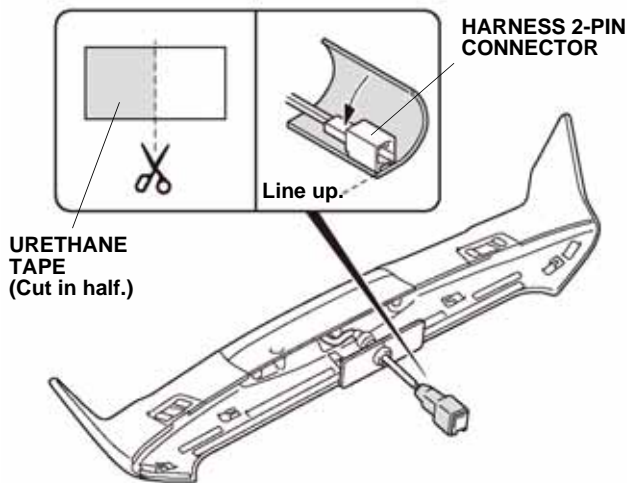


41. Insert the harness terminals into the 2-pin connector as shown.  
NOTE: Make sure to insert the terminals in the correct position and orientation. Make sure to correctly insert the terminal.



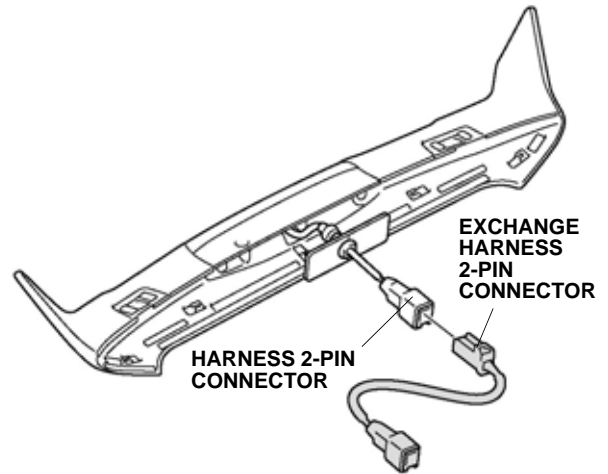
QC41727AJ

42. Using scissors, cut one urethane tape in half. Wrap one half of the urethane tape around the 2-pin connector.



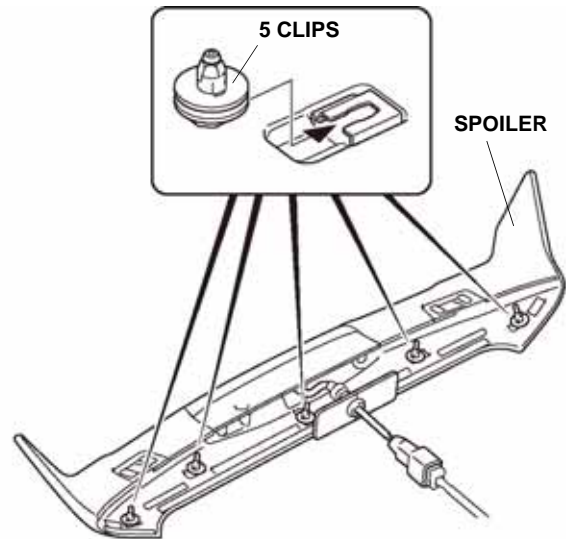
QC41728AJ

43. Plug the exchange harness 2-pin connector into the harness 2-pin connector.



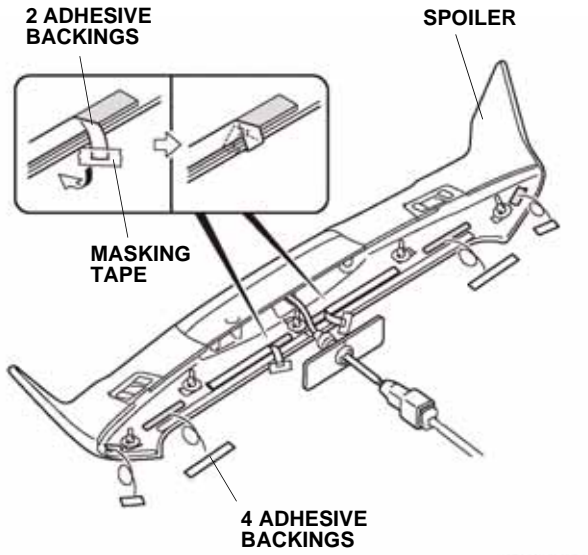
QG10649BT

44. Install the five clips on the spoiler.

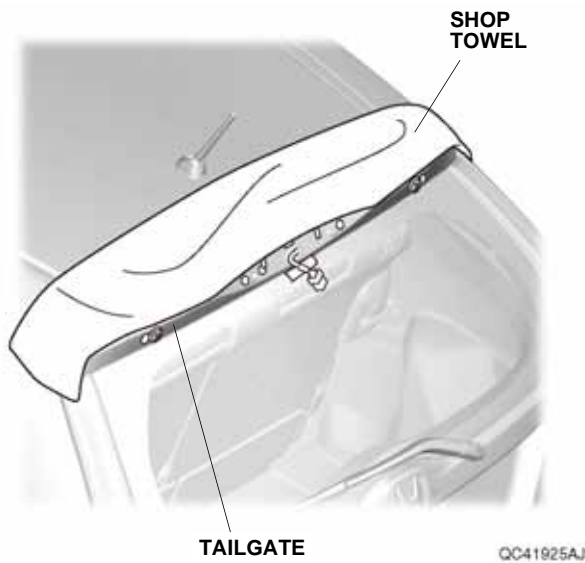


QCN1111AJ

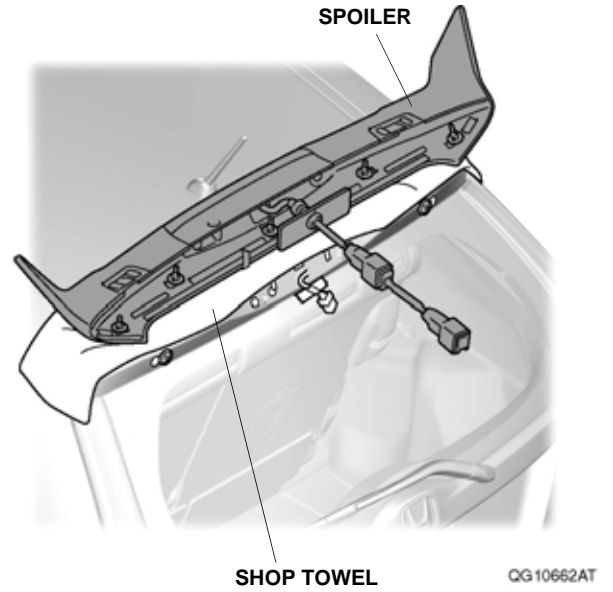
45. Peel back the adhesive backings, and tape them to the front surface of the spoiler with masking tape. Remove the other adhesive backings.



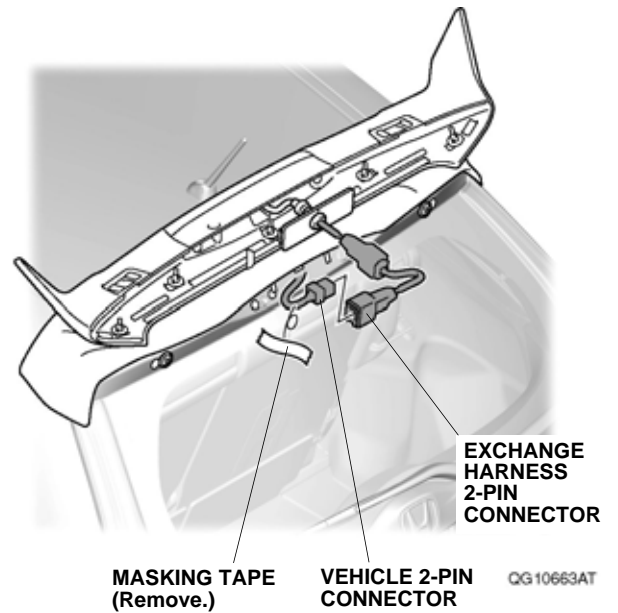
46. Place a shop towel on the vehicle.



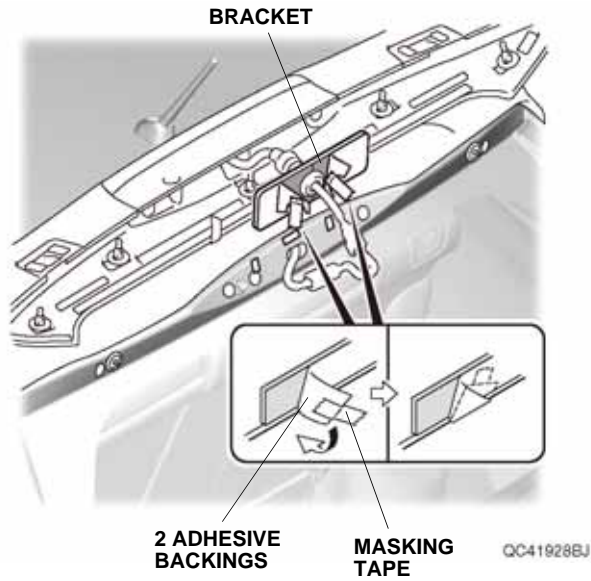
47. Put the spoiler on the shop towel.



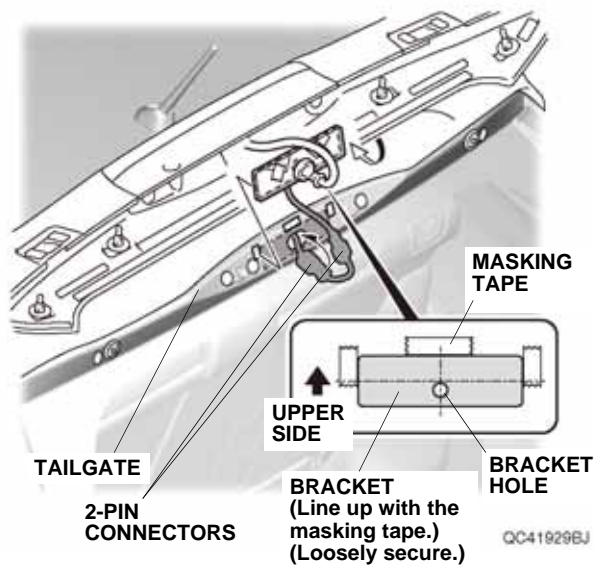
48. Remove the masking tape, and plug the vehicle 2-pin connector into the exchange harness 2-pin connector.



49. Peel back the adhesive backings, and tape them to the front surface of the bracket with masking tape.

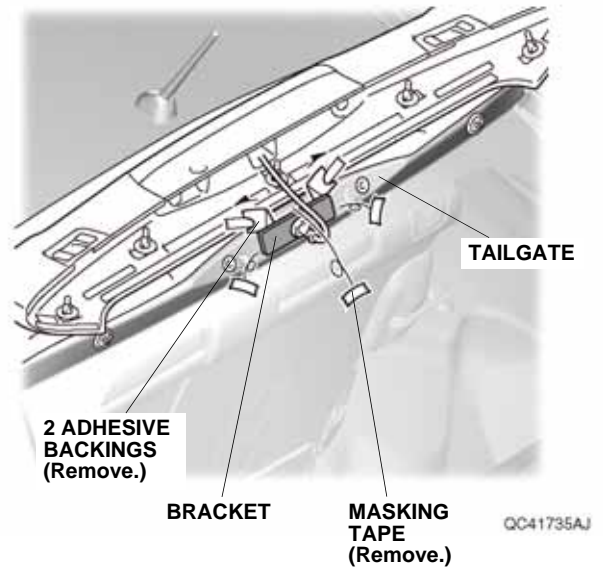


50. Tuck the 2-pin connectors into the spoiler as shown.

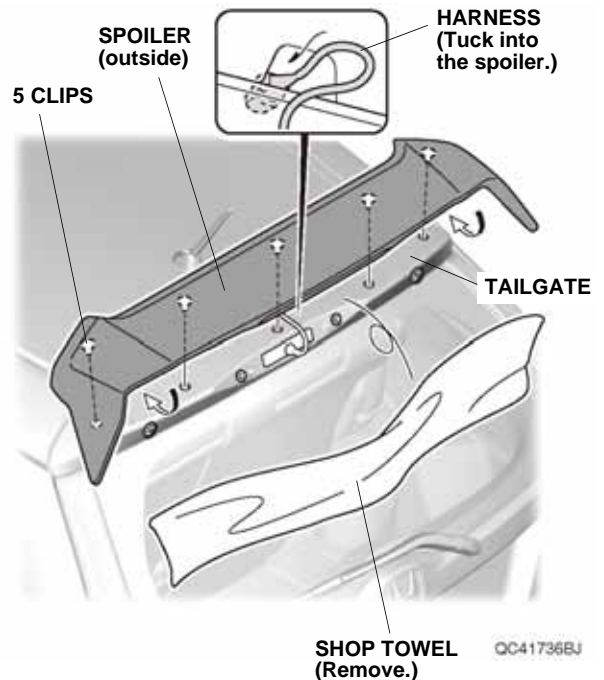


51. Line up the bracket with the masking tape on the tailgate as shown.  
NOTE: Check the orientation of the bracket.

52. Remove the masking tape and the two adhesive backings.

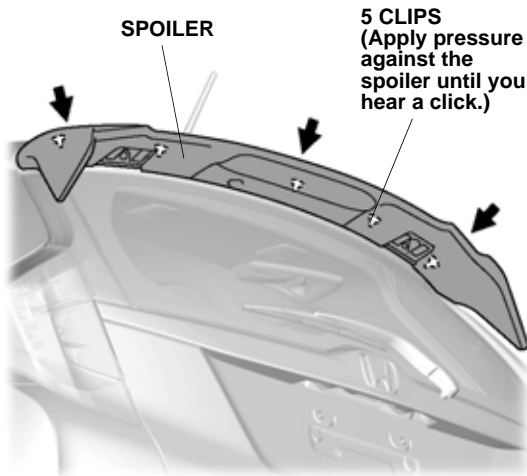


53. Using the palm of your hand, firmly press the bracket against the tailgate for 30 seconds.
54. Remove the shop towel. Install the spoiler as shown.  
NOTE: Make sure the harness does not get caught when installing the spoiler.



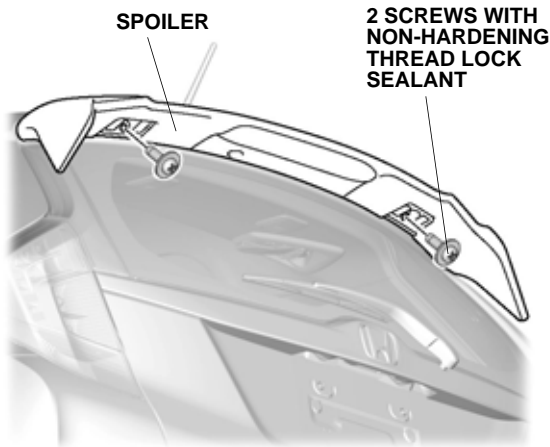
55. Line up and press on the spoiler onto the tailgate as shown.

NOTE: To confirm clip engagement, listen for the "click" sound during installation. Do not apply excessive pressure. Using your hands, lift up on the clip area of the spoiler to confirm the clips are fully engaged.



QC41737AJ

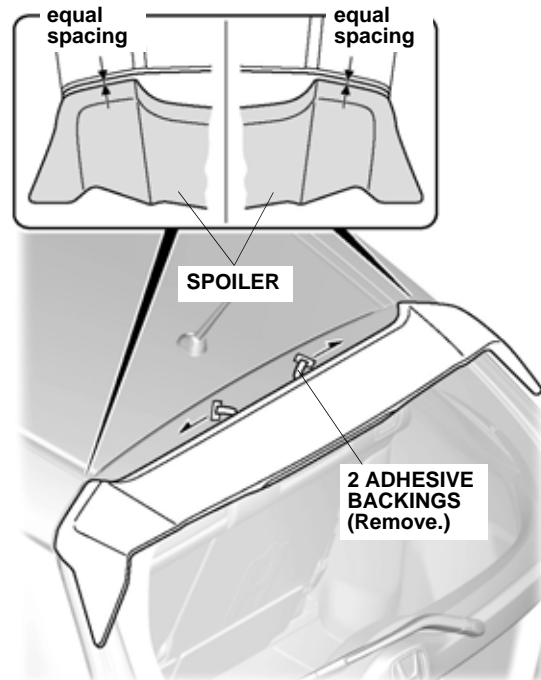
56. Secure the spoiler to the tailgate with the two screws with non-hardening thread lock sealant.



QG10623AT

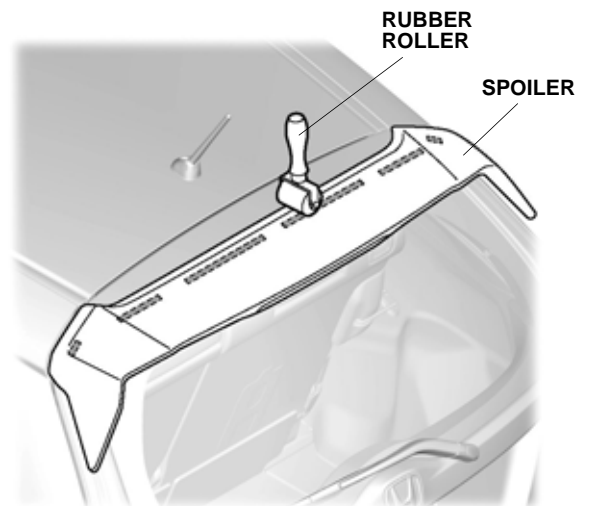
57. Remove the two adhesive backings. Press the spoiler firmly against the tailgate with the palm of your hands to adhere the spoiler as shown.

NOTE: Firmly press the spoiler while making sure that the gap is equally aligned.



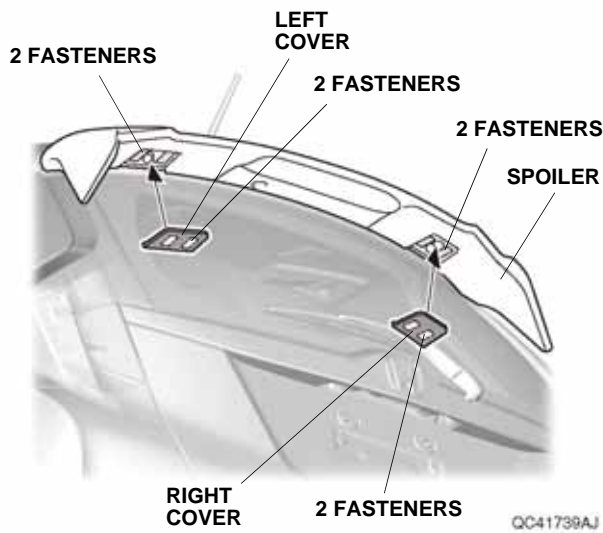
QG10610AT

58. Using a rubber roller, apply firm pressure while rolling, especially at the ends, to set the adhesive.



QG10611AT

59. Install the right and left covers onto the spoiler.



60. Connect the negative cable to the battery.
61. Press and hold the audio unit power button for 2 seconds to restore audio and navi (if equipped) system functions.
62. Set the clock.
63. If necessary, restore the systems back to normal operation as described in the service information.