

CHILTON[®]**LIBRARY**

Your Current Vehicle: 2016 Honda Fit

Rate this article: ★ ★ ★ ★ ★

Au
Re
Ins

Feedback

Audic
Remo

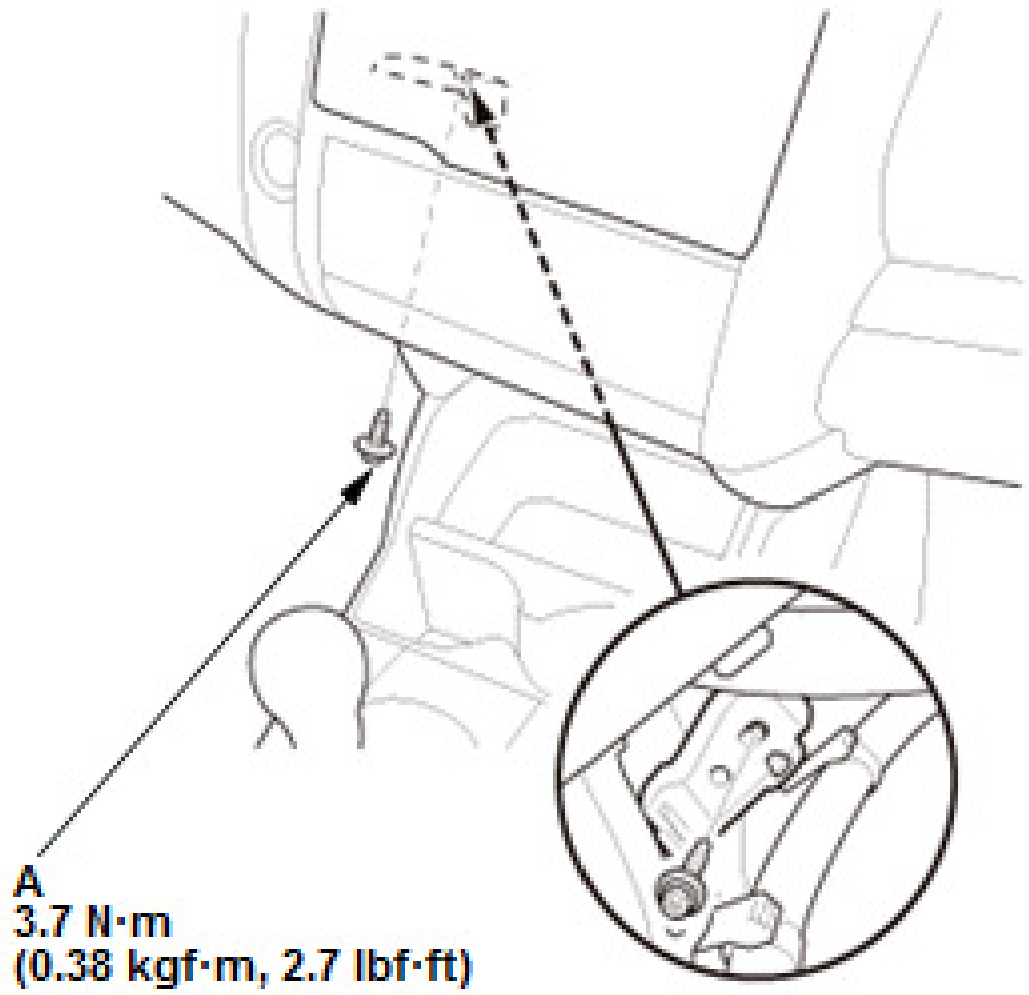
SRS components are located in this area. Review the SRS component locations and the precautions and procedures before doing repairs or service.

NOTE:

- When working on electronic components, make sure the work area is clean and dust free.
- Make sure your hands are clean and free of oil and grease.
- Eject the CD before disconnecting the audio-navigation unit to prevent damaging the CD player's load mechanism.
- If you are replacing the audio-navigation unit, save down the audio presets (if possible), and enter them into the new audio-navigation unit.
- When the audio-navigation unit is replaced or disconnected, do the Map Matching. This part

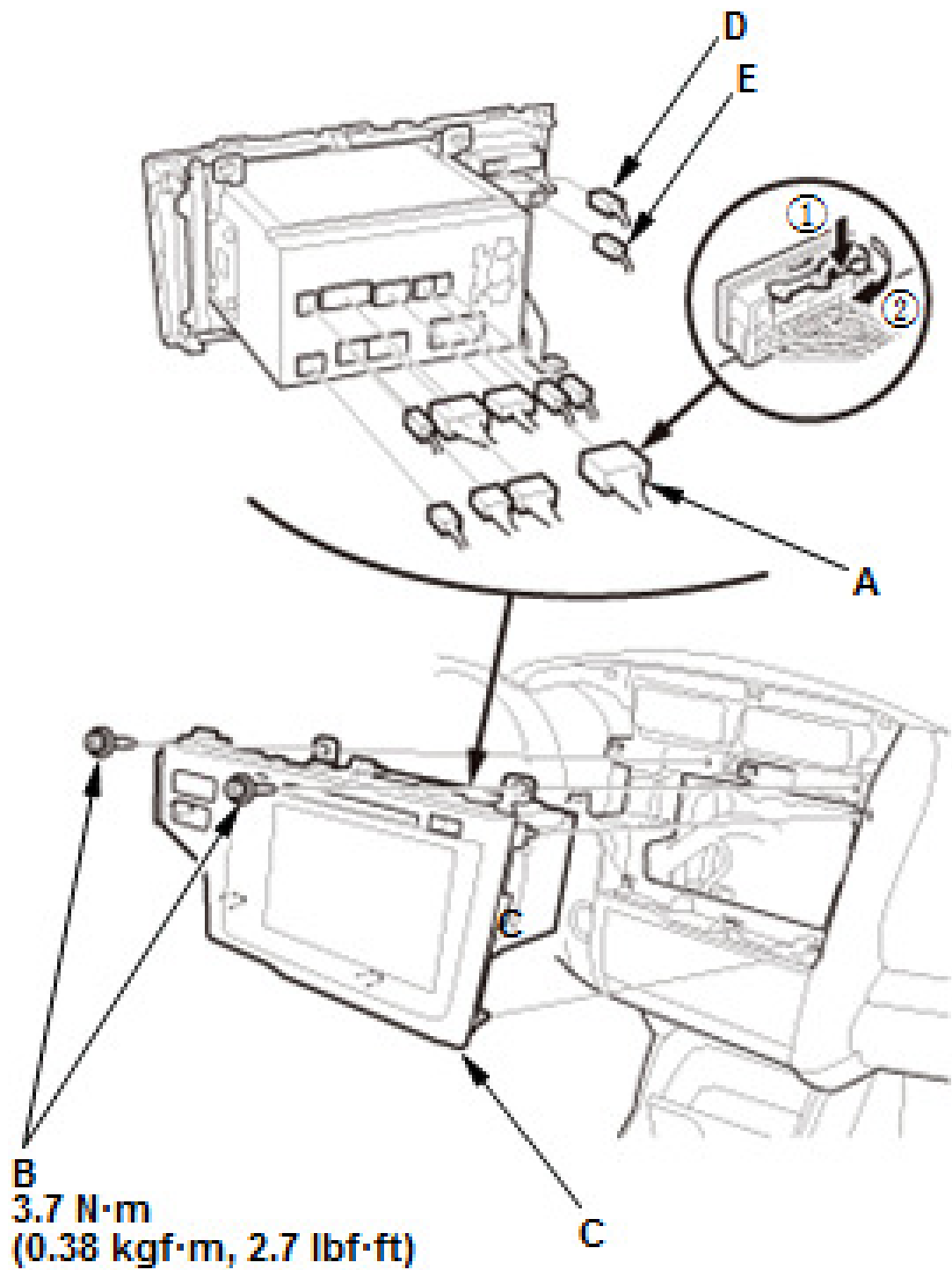
the initialization matches the GPS coordinate a road on the map screen. To do this part of the procedure, make sure that the navigation system displays a map, and drive the vehicle on a main road shown on the map screen. Do not enter a destination at this time. When the name of the current road you are driving on appears at the bottom of the screen, the entire procedure is complete.

1. Meter Visor - Remove
2. Dashboard Center Vent Panel - Remove
3. Dashboard Center Lower Cover - Remove
4. Audio-Navigation Unit Assembly - Remove



1. Remove the bolt (A).

Feedback



2. Remove the bolts (B).

3. Pull out the audio-navigation unit asser

Feedback

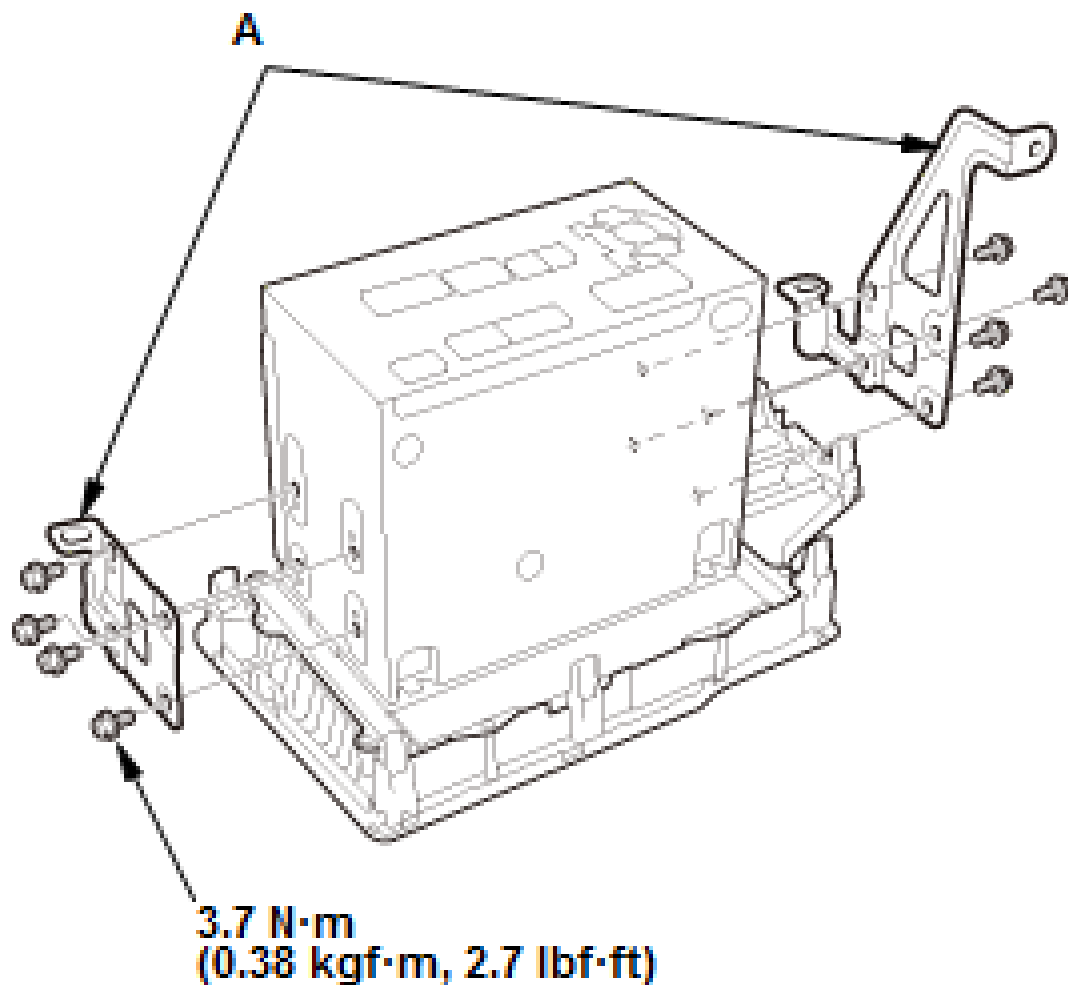
(C).

4. Disconnect the connector (D) from the front passenger's airbag cutoff indicator.
5. Disconnect the connector (E) from the hazard warning switch.
6. Disconnect the connectors from the audio navigation unit.

NOTE: There is a lever lock on audio-navigation unit connector A.

5. Front Passenger's Airbag Cutoff Indicator- Remove
6. Hazard Warning Switch - Remove
7. Audio-Navigation Unit - Remove

Feedback

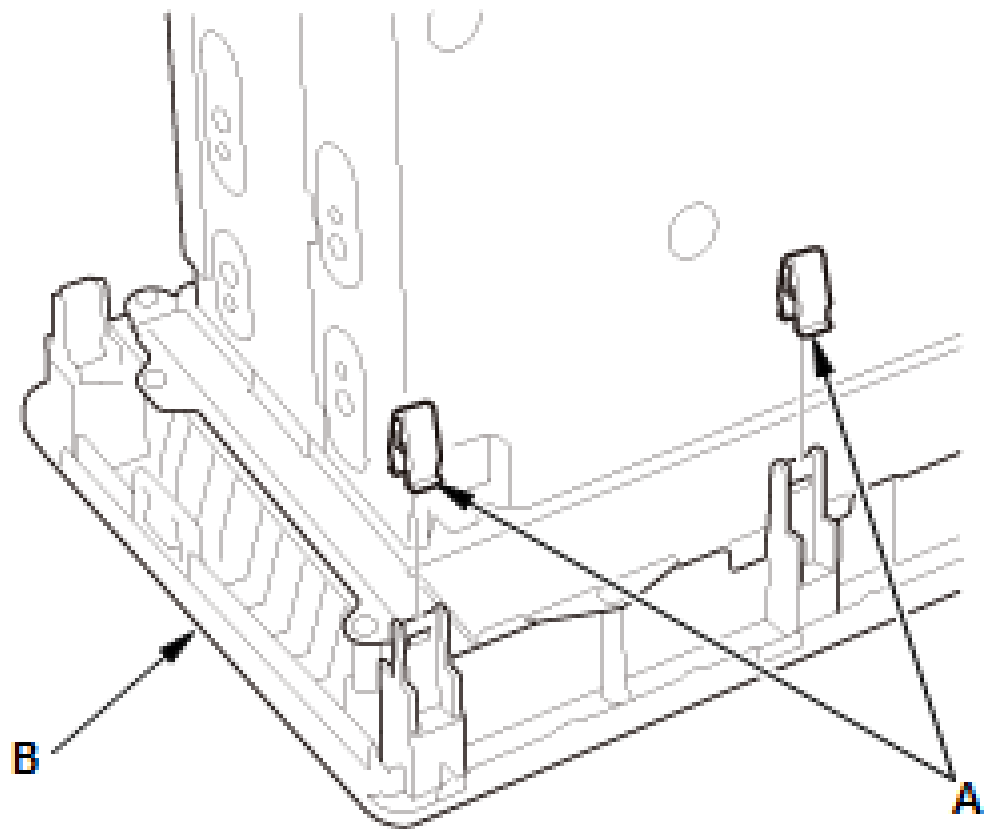


NOTE:

- Discharge static electricity from your body before and during the work.
- Do not touch the circuit board(s) with your bare hands.
- Do not touch the terminal connector of

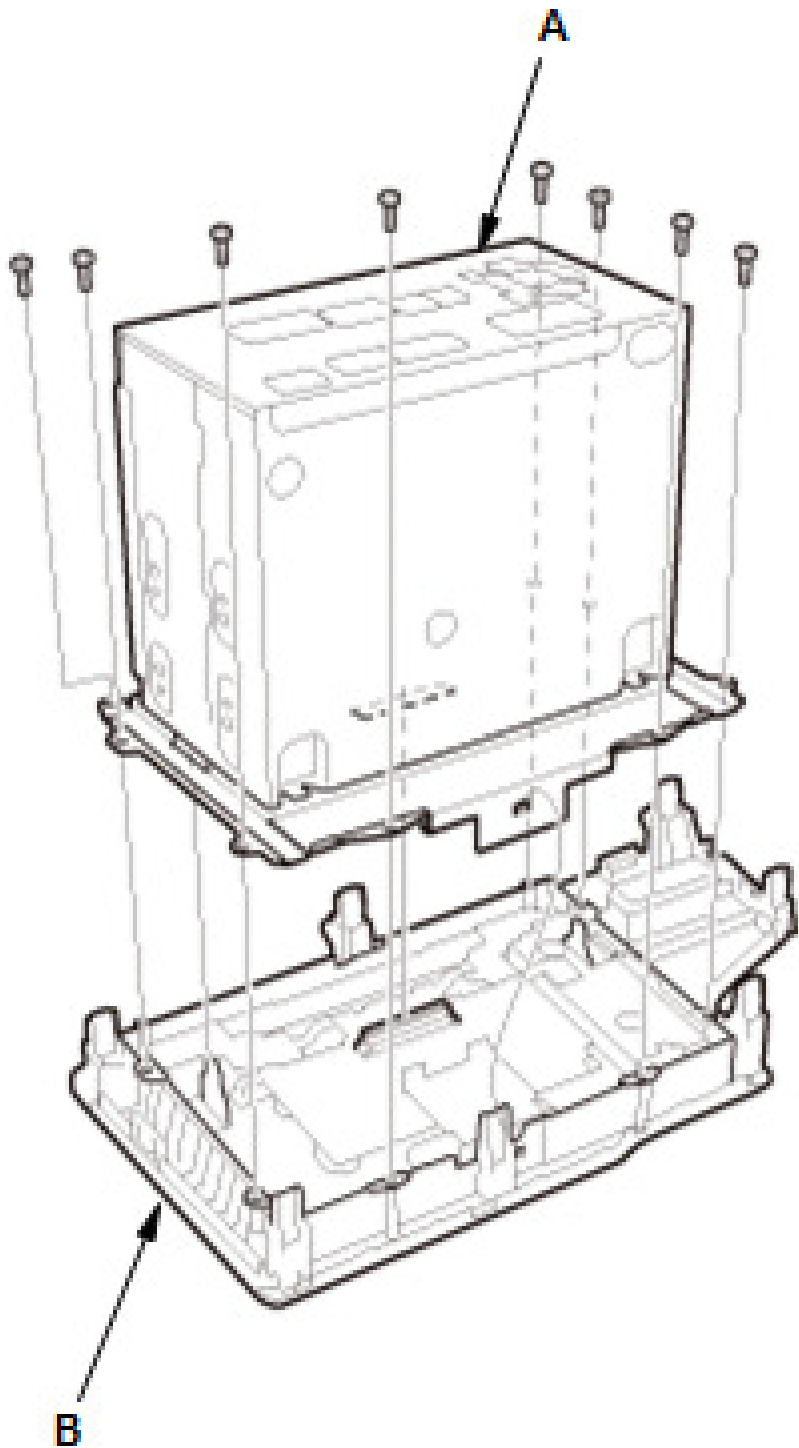
audio panel with your bare hands (If you have touched it, wipe it off thoroughly).

1. Remove the brackets (A).



2. Remove the clips (A) from the audio panel (B).

Feedback

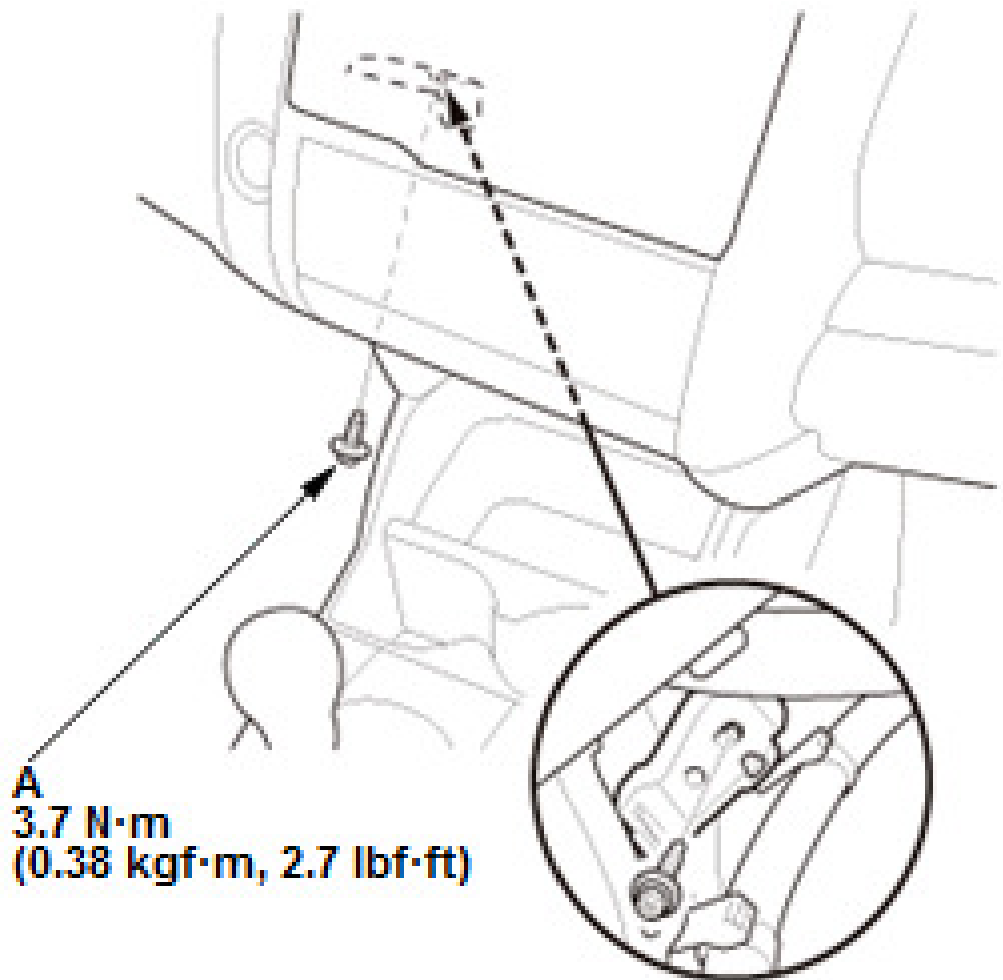


3. Remove the audio unit (A) from the audio panel (B).

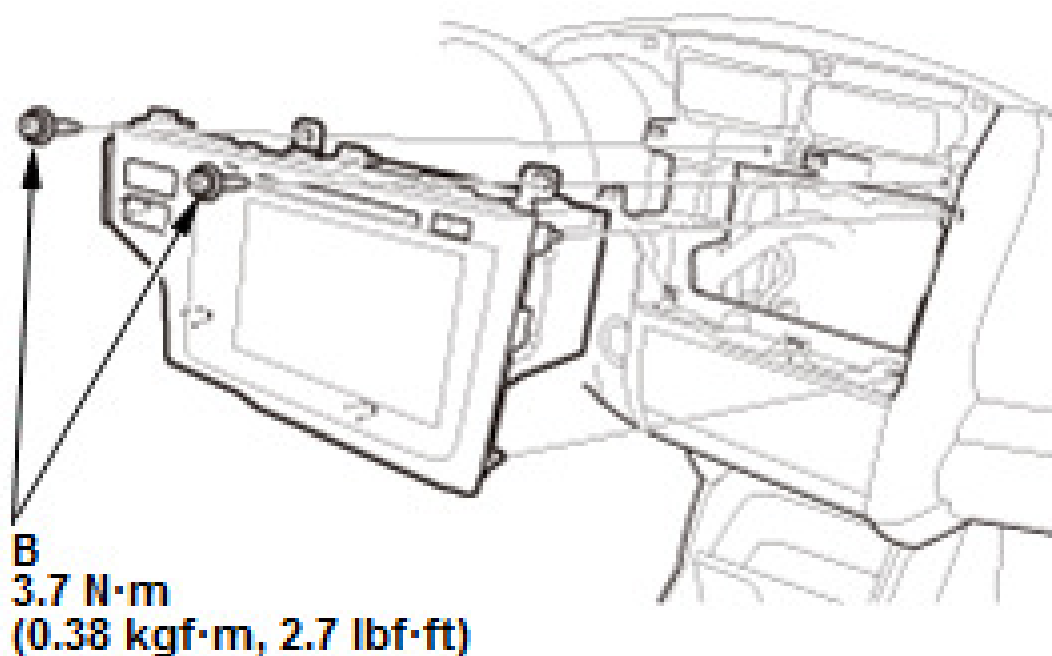
Feedback

4. If you are replacing the audio-navigation
remove the SD card.

8. All Removed Parts - Install



Feedback



1. Install the audio-navigation unit in the reverse order of removal.

NOTE:

- Install the three bolts for the audio navigation unit and tighten the low bolt (A) first, then the top two bolt

- If you are replacing the audio-navigation unit or the audio panel, do the Touch Panel Check and the Touch Panel Adjustment in the System Diagnostic Mode to check whether the touch panel operates properly.
- After Installation, do the System Lock in the System Diagnostic Mode to confirm that there are no problems with the system, then park the vehicle outside, and do the GPS initialization.

Copyright ©2018 by Cilton, an imprint of
Cengage Learning

[\(/lh/Home/Index/mwellFvX6GxDP3u6xl2Cp](http://www.chiltonlibrary.com/lh/Repair/Index/mwellFvX6GxDP3u6xl2Cp)

Terms and Conditions (<http://www.cengage>

Privacy Statement (<http://www.cengage.com>

Contact Us (<http://www.cengage.com/contact>



Feedback