

CHILTON[®]**LIBRARY**

Your Current Vehicle: 2016 Honda Fit

Rate this article: ★ ★ ★ ★ ★

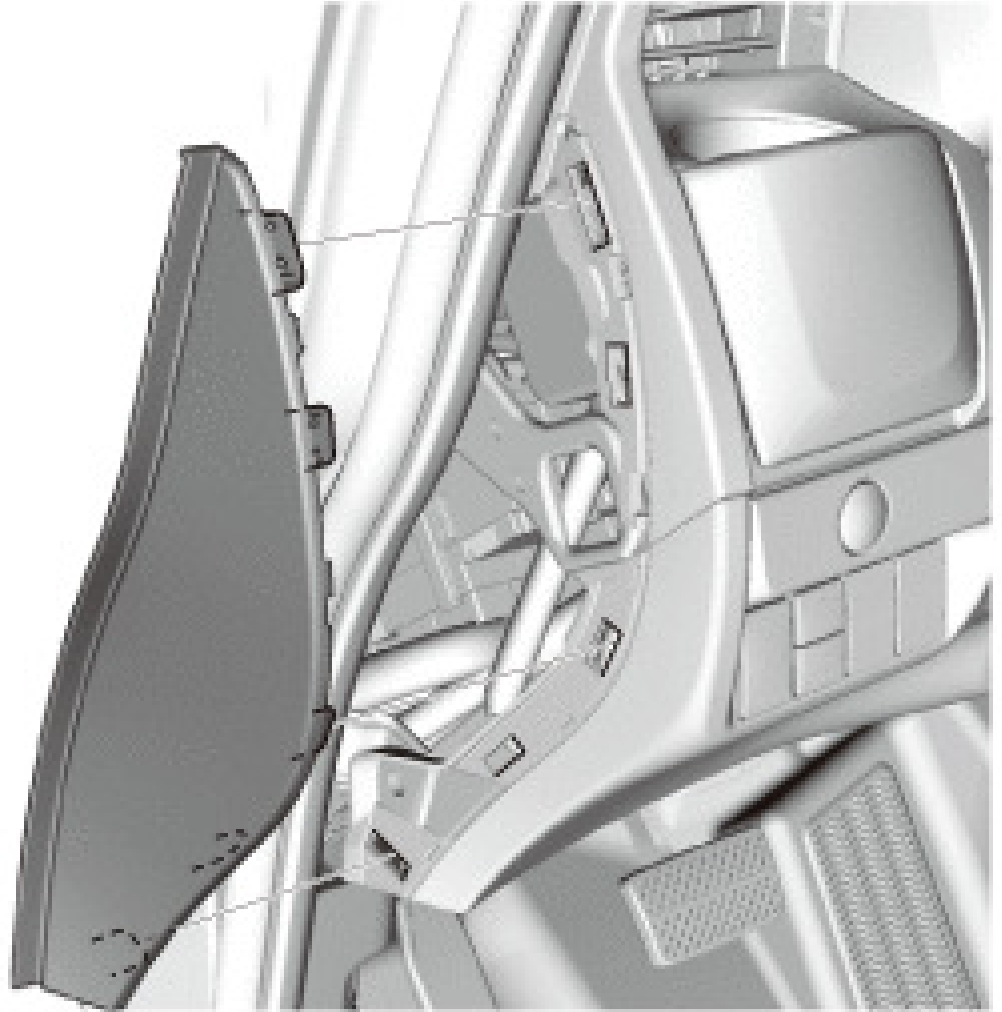
Dr
Lo
an

Feedback

Drive
Instal

Removal/Installation

1. Driver's Side Cover - Remove



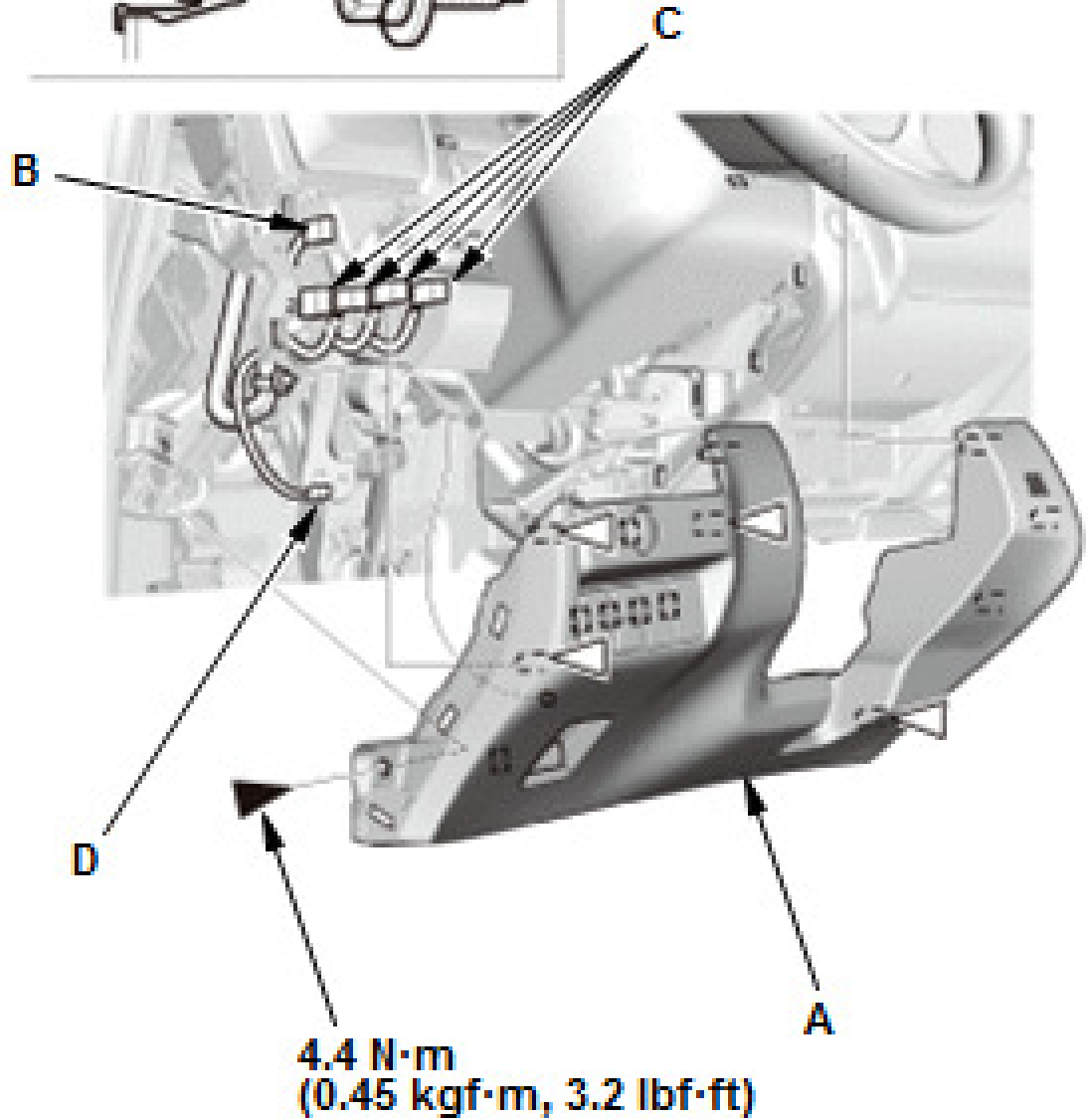
Feedback

2. Driver's Dashboard Lower Cover - Remove

Fastener Locations

▷ : 4

▶ : 1



Feedback

1. Remove the driver's dashboard lower cover (A).
2. For some models: Disconnect the conn

(B, C, D).

3. All Removed Parts - Install

1. Install the parts in the reverse order of removal.

Copyright ©2018 by Chilton, an imprint of
Cengage Learning

Feedback

[\(/lh/Home/Index/mwellFvX6GxDP3u6xl2Cp](#)

[Terms and Conditions \(http://www.cengage](http://www.cengage.com/terms-conditions)

[Privacy Statement \(http://www.cengage.com](http://www.cengage.com/privacy)

[Contact Us \(http://www.cengage.com/contæ](http://www.cengage.com/contact)



Feedback