

CHILTON[®]LIBRARY

Your Current Vehicle: 2015 Honda Fit

Rate this article: ★ ★ ★ ★ ★

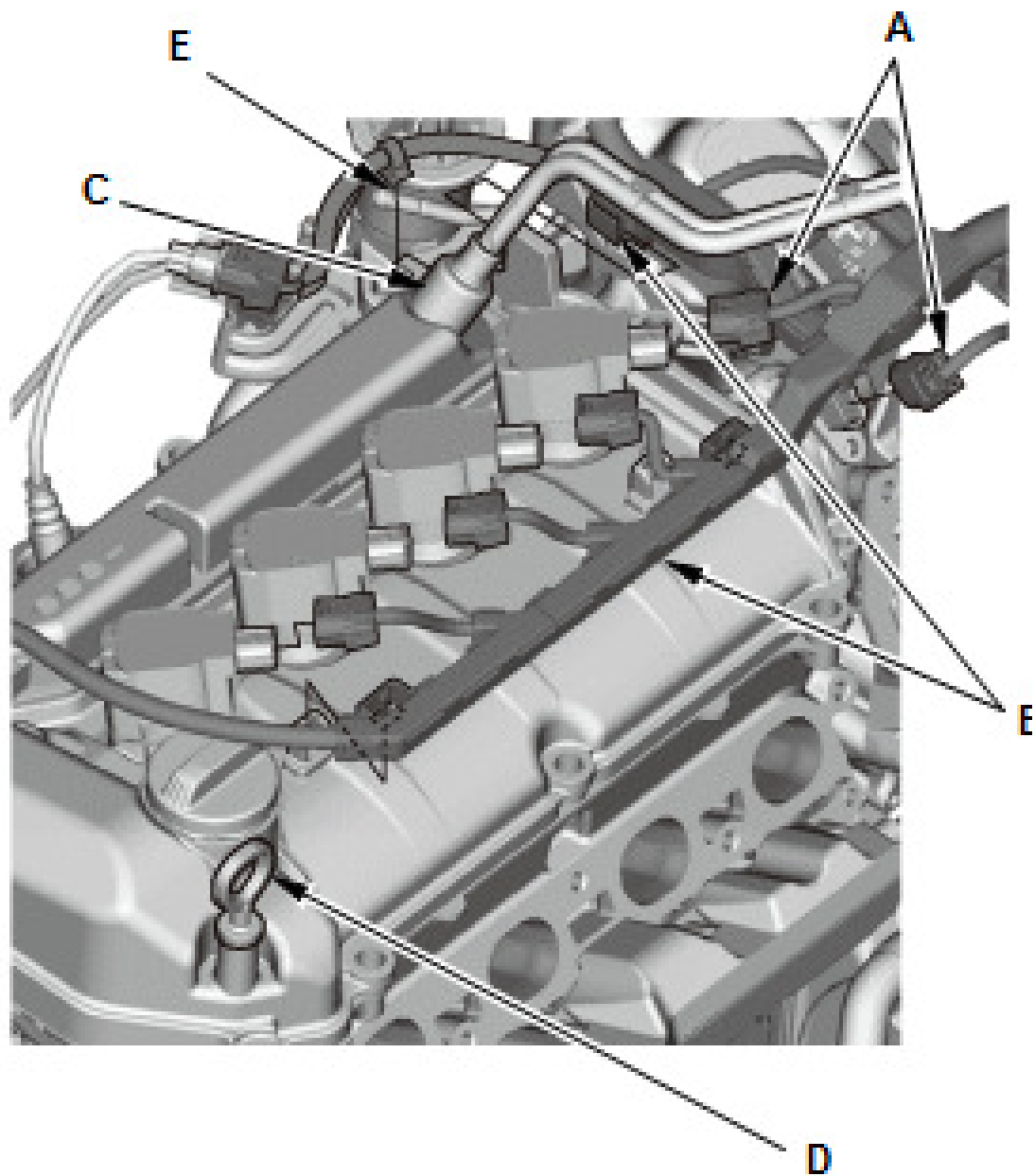
Cy
Re
Ins

Feedback

Cylind
Remo

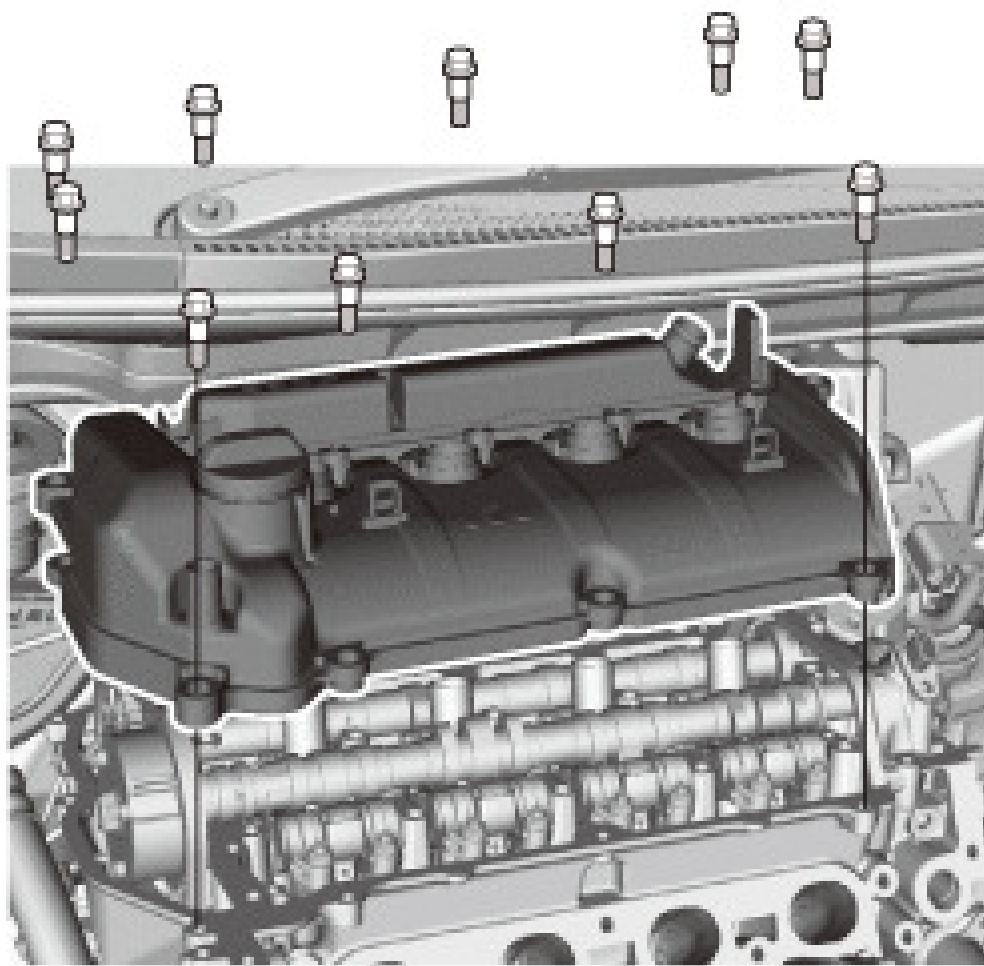
Cylinder Head Cover

1. Intake Manifold - Remove
2. Cylinder Head Cover - Remove



Feedback

1. Disconnect the connectors (A).
2. Remove the four ignition coils.
3. Remove the harness holder (B).
4. Disconnect the breather hose (C).
5. Remove the dipstick (D).
6. Remove the harness clamp (E).

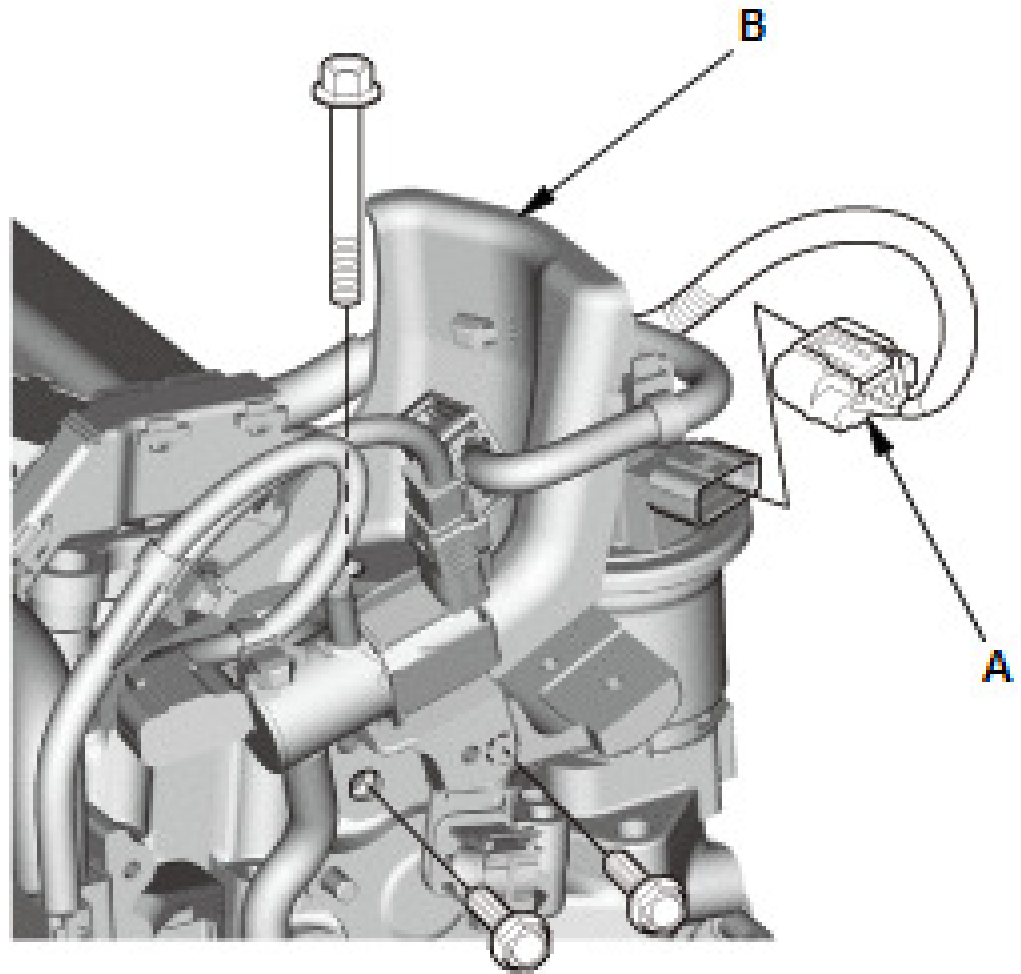


7. Remove the cylinder head cover.

High Pressure Fuel Pump Cover

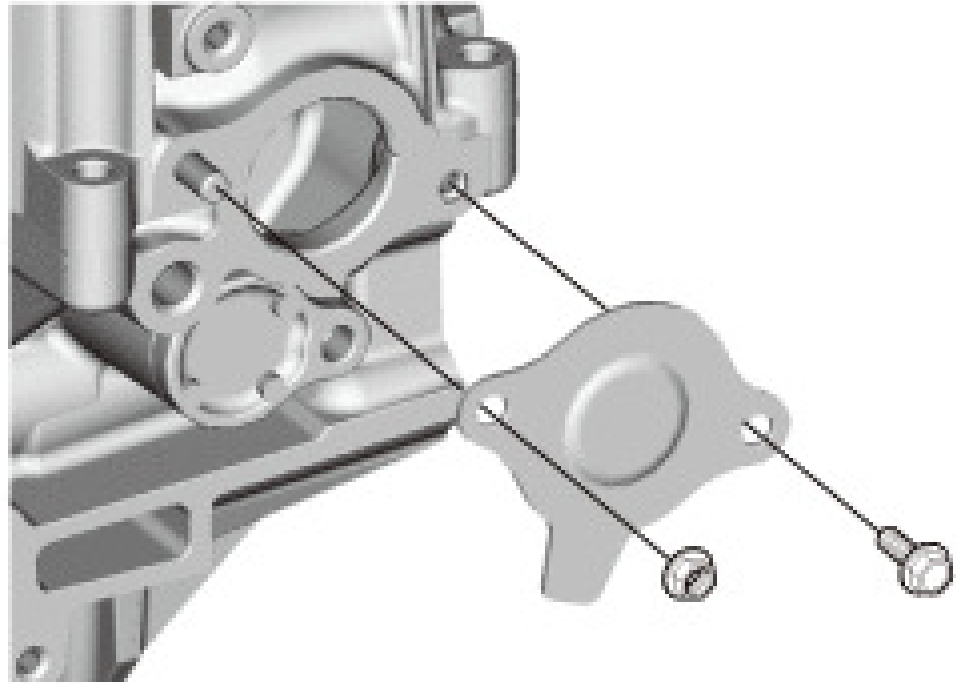
1. High Pressure Fuel Pump - Remove
2. High Pressure Fuel Pump Cover External Item
Remove

Feedback



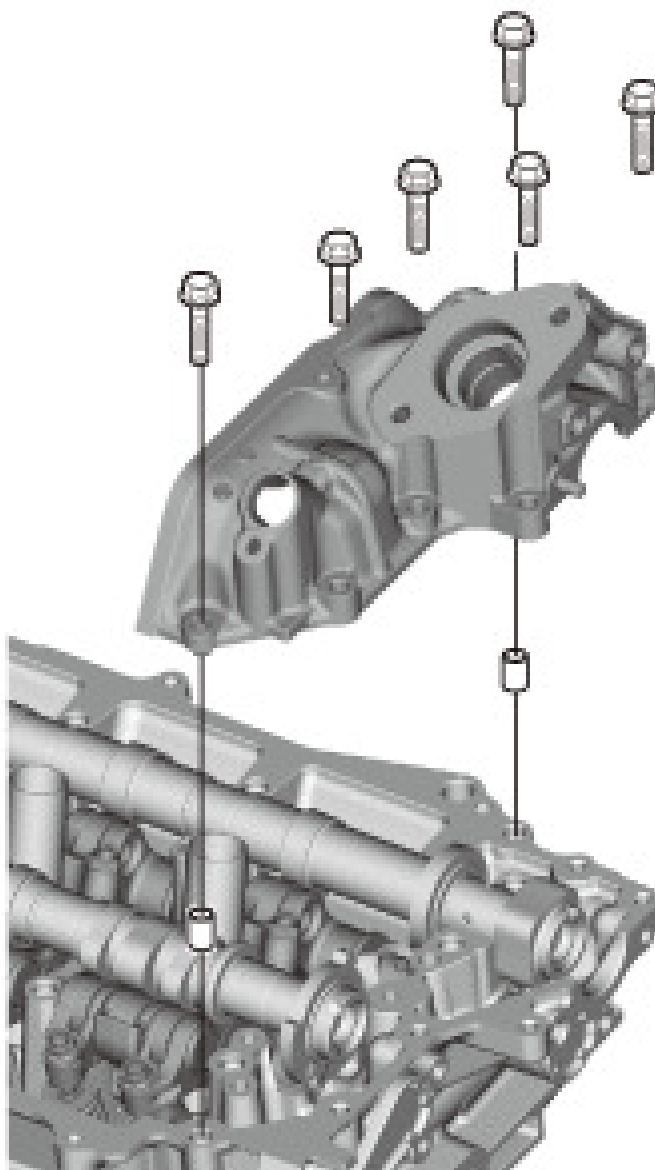
1. Disconnect the connector (A).
2. Remove the high pressure fuel pump b (B).
3. High Pressure Fuel Pump Cover - Remove

Feedback



1. Remove the cam holder cover.

Feedback



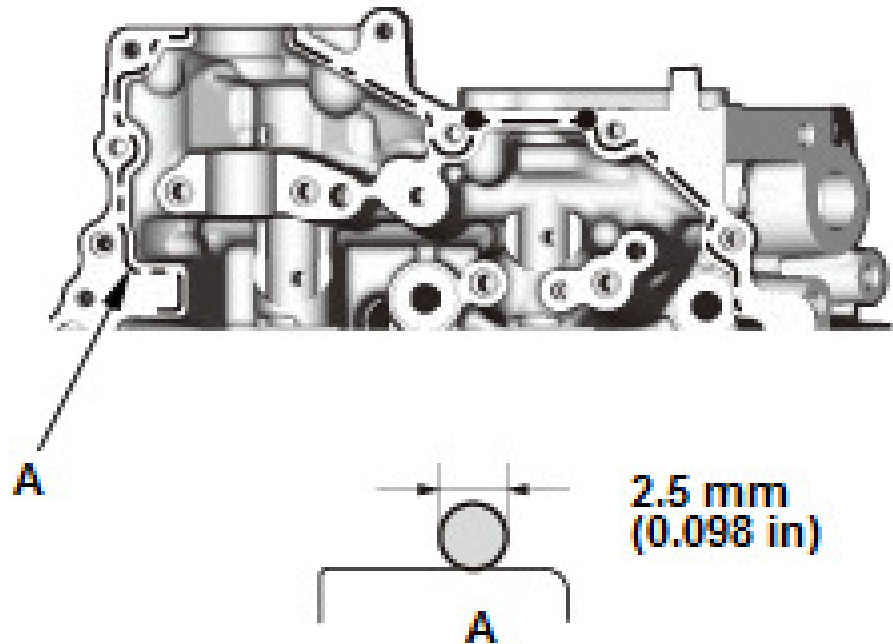
2. Remove the high pressure fuel pump c

Feedback

Installation

High Pressure Fuel Pump Cover

1. High Pressure Fuel Pump Cover - Install



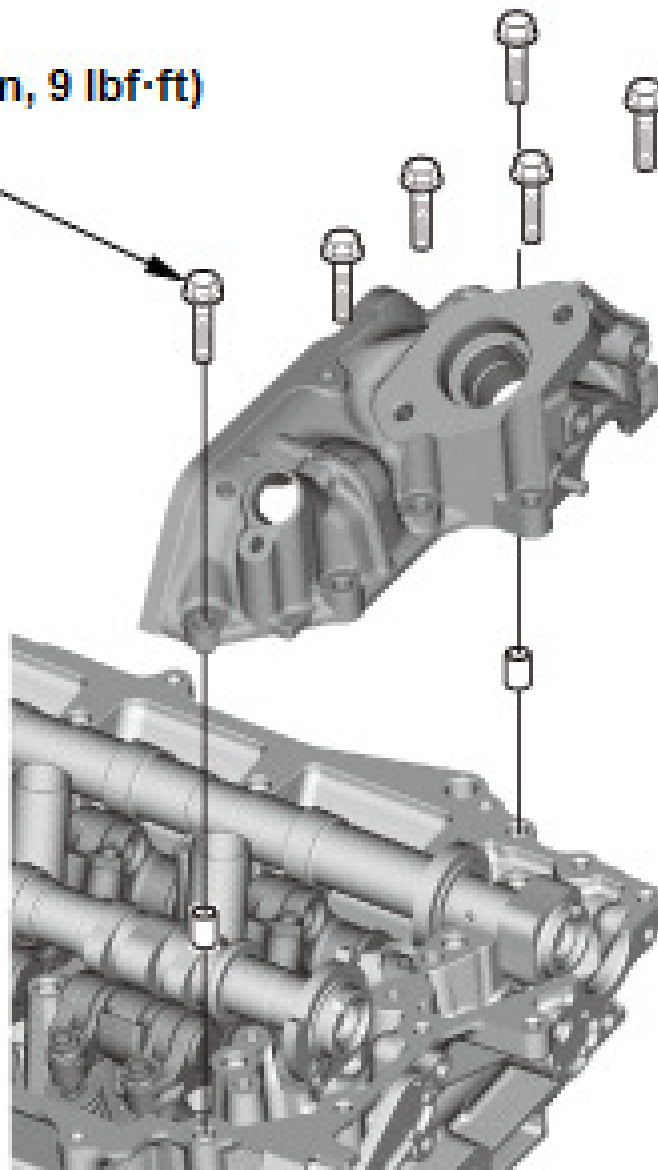
1. Remove all of the old liquid gasket from cylinder head and the high pressure fuel pump cover.
2. Apply liquid gasket, (P/N 08717-0004, 08718-0003, or 08718-0009) on the cylinder head and the high pressure fuel pump mating areas. Install the component with

minutes of applying the liquid gasket.

NOTE:

- Apply a 2.5 mm (0.098 in) diameter bead of liquid gasket along the bracket line (A).
- If too much time has passed after applying the liquid gasket, remove old liquid gasket and residue, then reapply new liquid gasket.

12 N·m
(1.2 kgf·m, 9 lbf·ft)

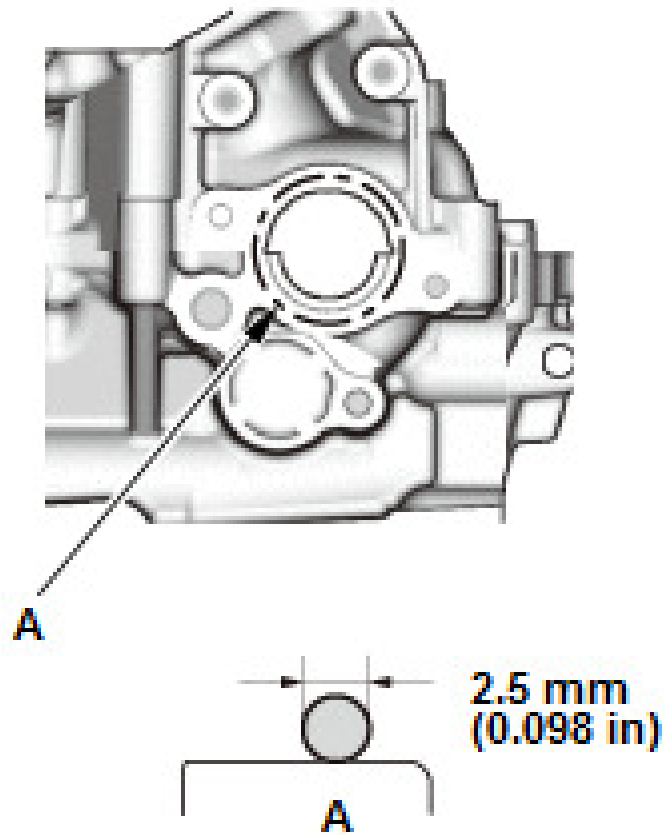


3. Install the high pressure fuel pump cov

NOTE:

- Wait at least 30 minutes before fil the engine with oil.

- Do not run the engine for at least 24 hours after installing the high pressure fuel pump cover.

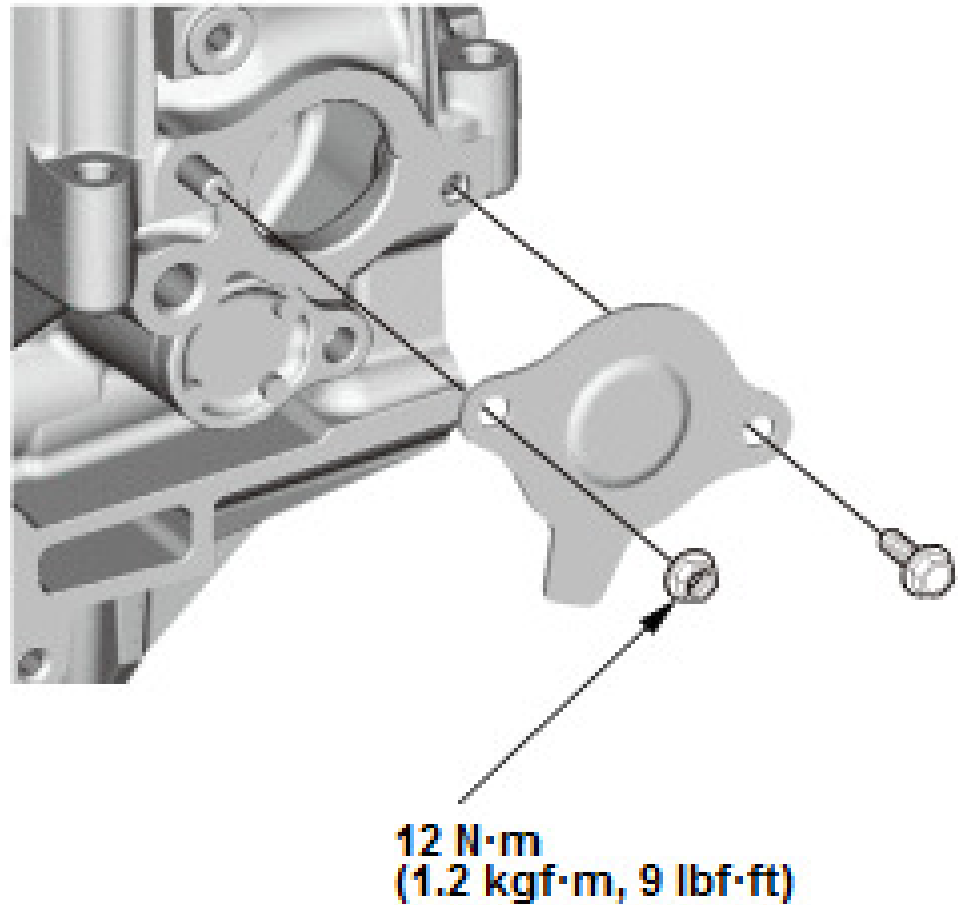


4. Remove all of the old liquid gasket from the cylinder head, the high pressure fuel pump cover, and the cam holder cover.

5. Apply liquid gasket, (P/N 08717-0004, 08718-0003, or 08718-0009) on the can holder cover mating areas. Install the component within 5 minutes of applying liquid gasket.

NOTE:

- Apply a 2.5 mm (0.098 in) diameter bead of liquid gasket along the br line (A).
- If too much time has passed after applying the liquid gasket, remove old liquid gasket and residue, then reapply new liquid gasket.



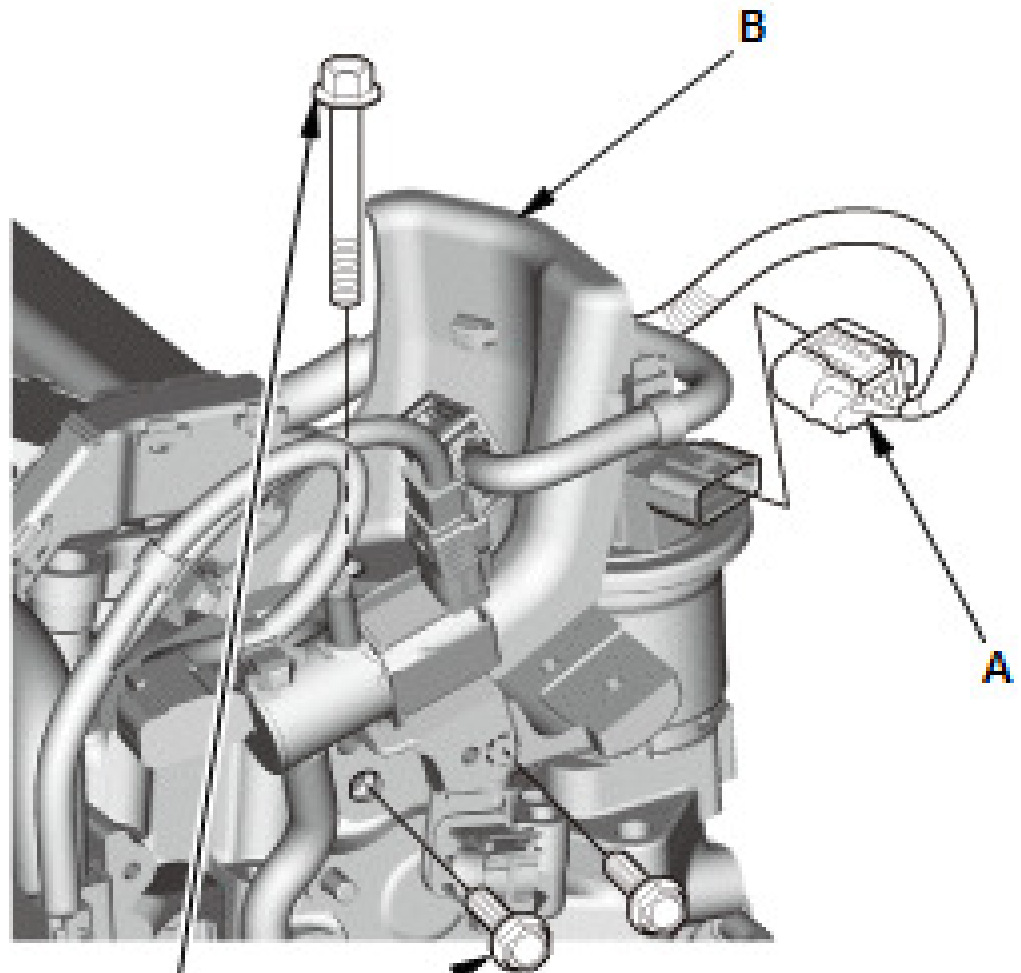
6. Install the cam holder cover.

NOTE:

- Wait at least 30 minutes before fill the engine with oil.
- Do not run the engine for at least

hours after installing the cam hold cover.

2. High Pressure Fuel Pump Cover External Itel Install



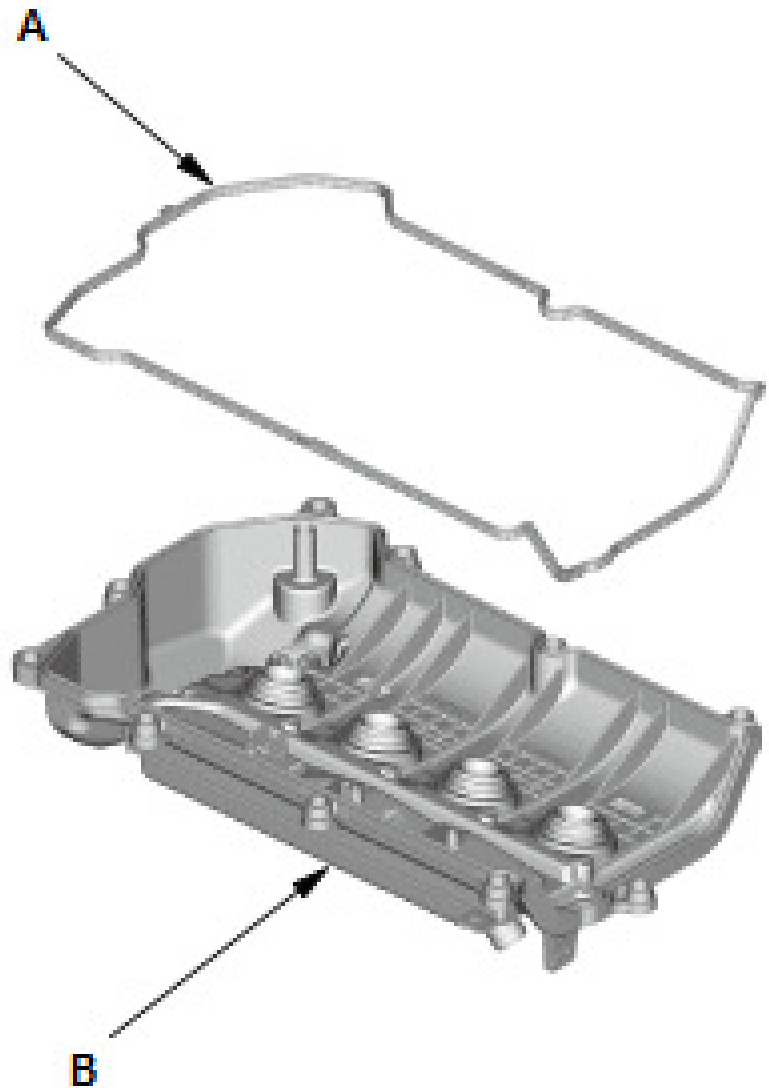
12 N·m
(1.2 kgf·m, 9 lbf·ft)

Feedback

1. Connect the connector (A).
2. Install the high pressure fuel pump bra (B).
3. High Pressure Fuel Pump - Install

Cylinder Head Cover

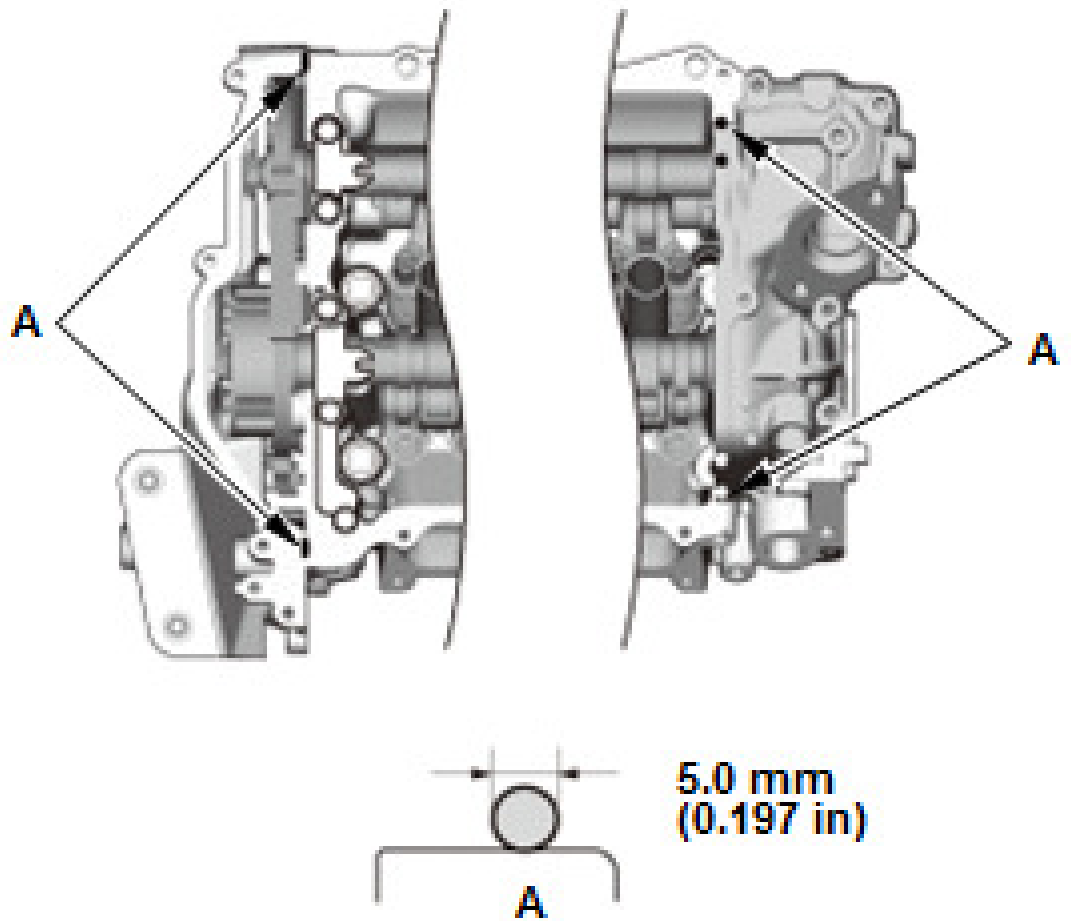
1. Cylinder Head Cover - Install



1. Thoroughly clean the head cover gasket and the groove of the cylinder head cover (B).

NOTE: Check and if necessary, replace head cover gasket.

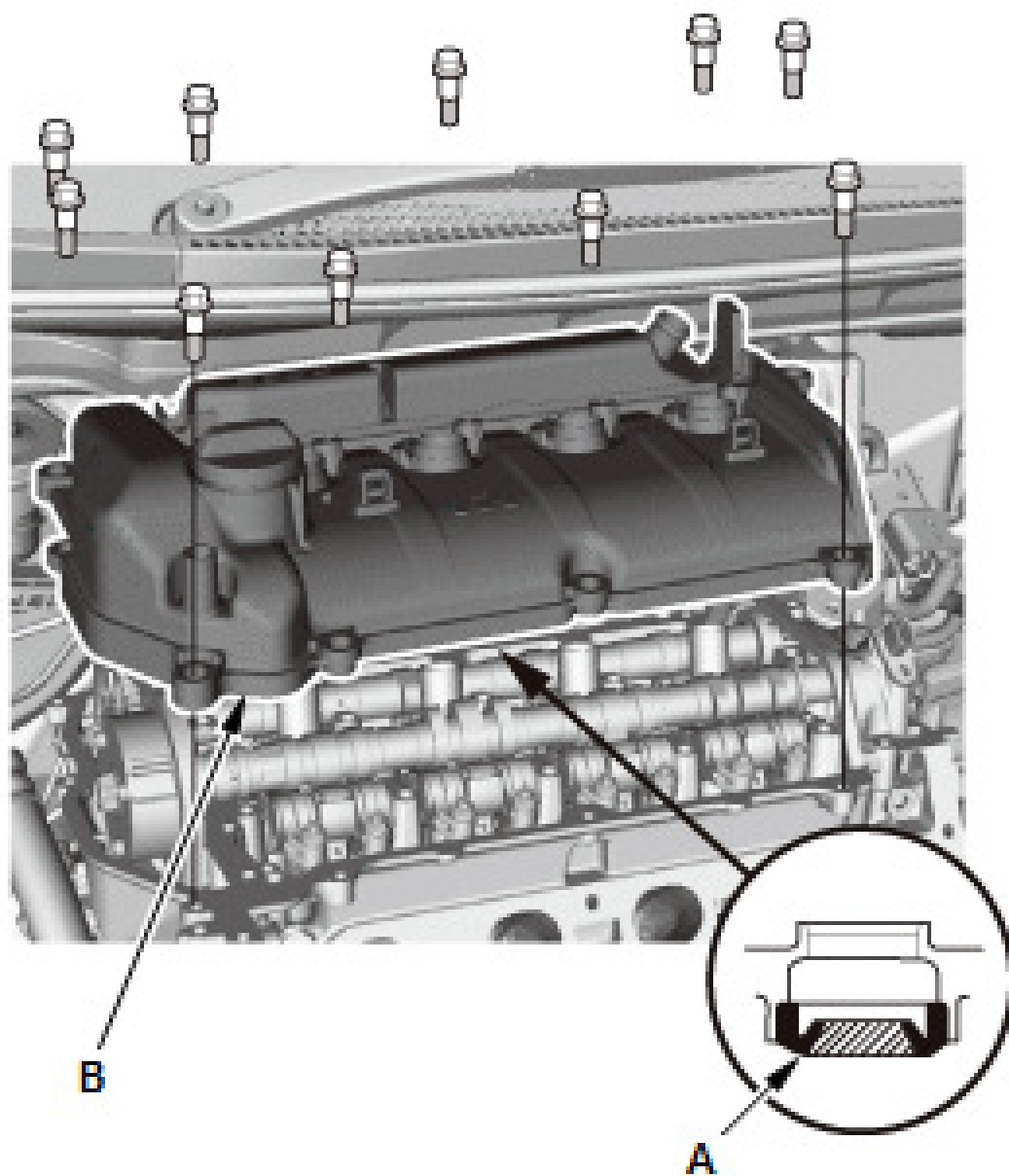
2. Install the head cover gasket in the groove on the cylinder head cover. Make sure the cover gasket is seated securely.
3. Remove all of the old liquid gasket from the chain case and the high pressure fuel pump base.
4. Clean the head cover contacting surface with a shop towel.



5. Apply liquid gasket, (P/N 08717-0004, 08718-0003, or 08718-0009) on the cha case and the No. 5 rocker shaft holder mating areas (A). Install the component within 5 minutes of applying the liquid gasket.

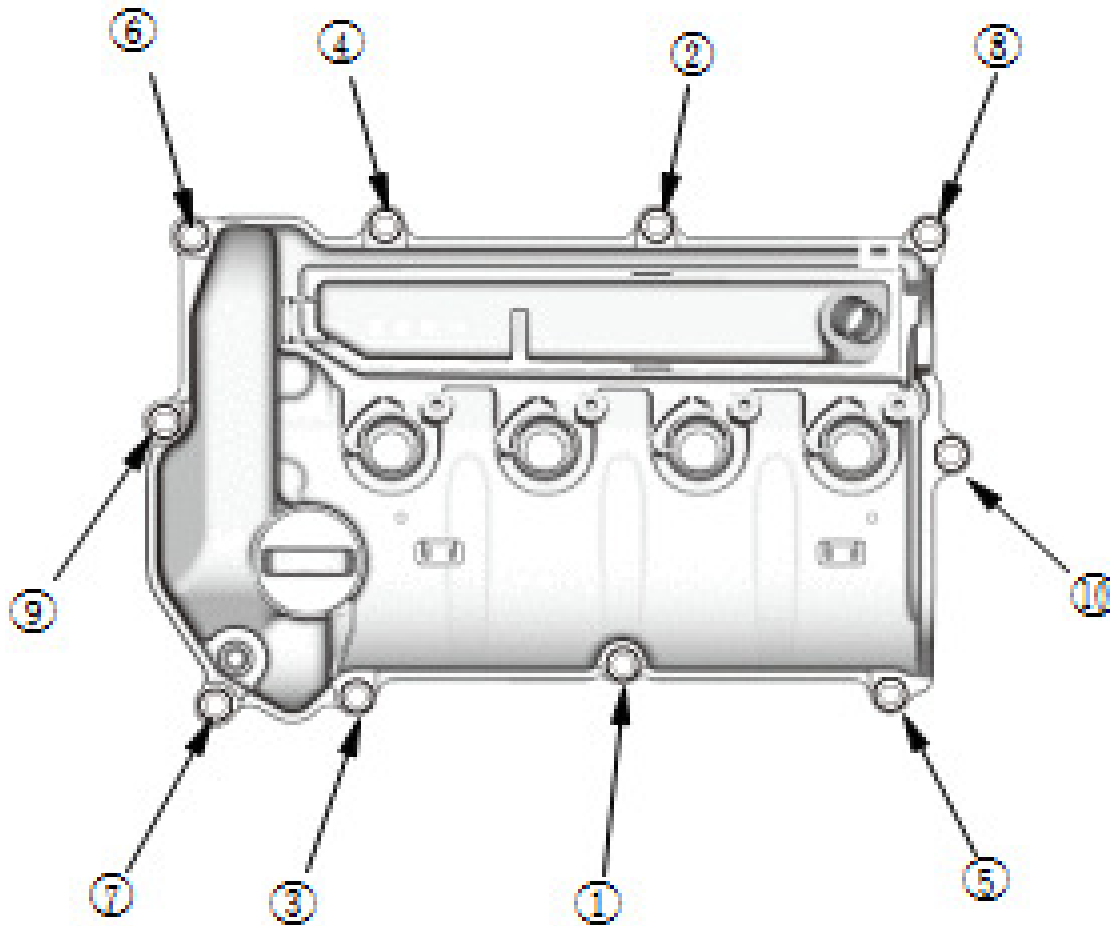
NOTE:

- Apply a 5.0 mm (0.197 in) diameter bead of liquid gasket to the chain and the No. 5 rocker shaft holder contact areas.
- If too much time has passed after applying the liquid gasket, remove old liquid gasket and residue, then reapply new liquid gasket.



6. Apply new engine oil to the lip of the spark plug seals (A). Place the cylinder head (B) on the cylinder head, then slide the head slightly back and forth to seat the head

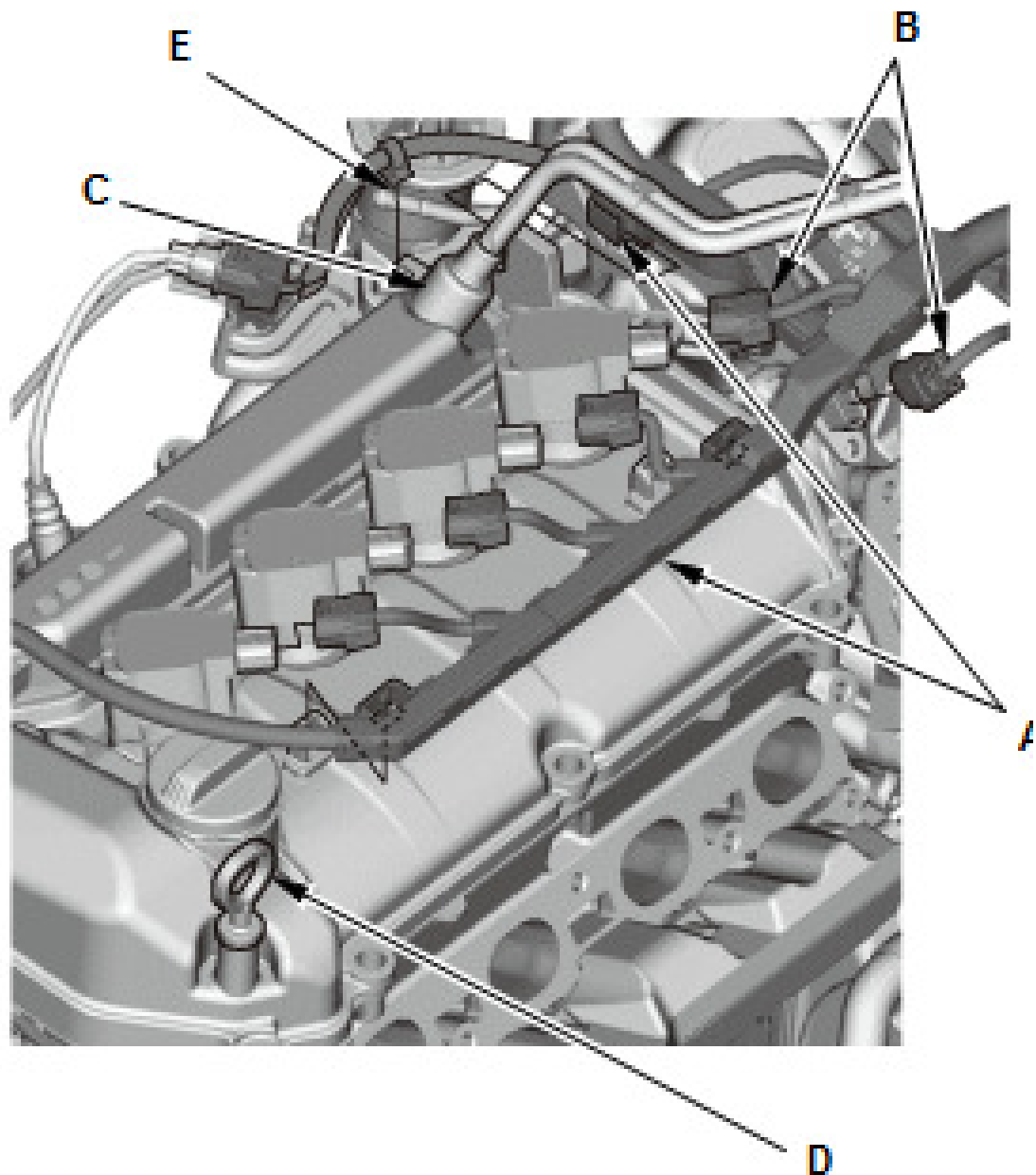
gasket.



7. Tighten the bolts in two steps. In the first step torque bolts, in sequence, to 7 N·m (5 lbf·ft).

NOTE:

- Wait at least 30 minutes before fill the engine with oil.
- Do not run the engine for at least hours after installing the head cov



Feedback

8. Install the harness holder (A).
9. Install the four ignition coils.
10. Connect the connectors (B).
11. Connect the breather hose (C).
12. Install the dipstick (D).
13. Install the harness clamp (E).

2. Intake Manifold - Install

Cengage Learning

[\(/lh/Home/Index/mwell8sJBx42dOff__uFBu](#)

[Terms and Conditions \(http://www.cengage](#)

[Privacy Statement \(http://www.cengage.cor](#)

[Contact Us \(http://www.cengage.com/contæ](#)



Feedback