

CHILTON[®]**LIBRARY**

Your Current Vehicle: 2015 Honda Fit

Rate this article: ★ ★ ★ ★ ★

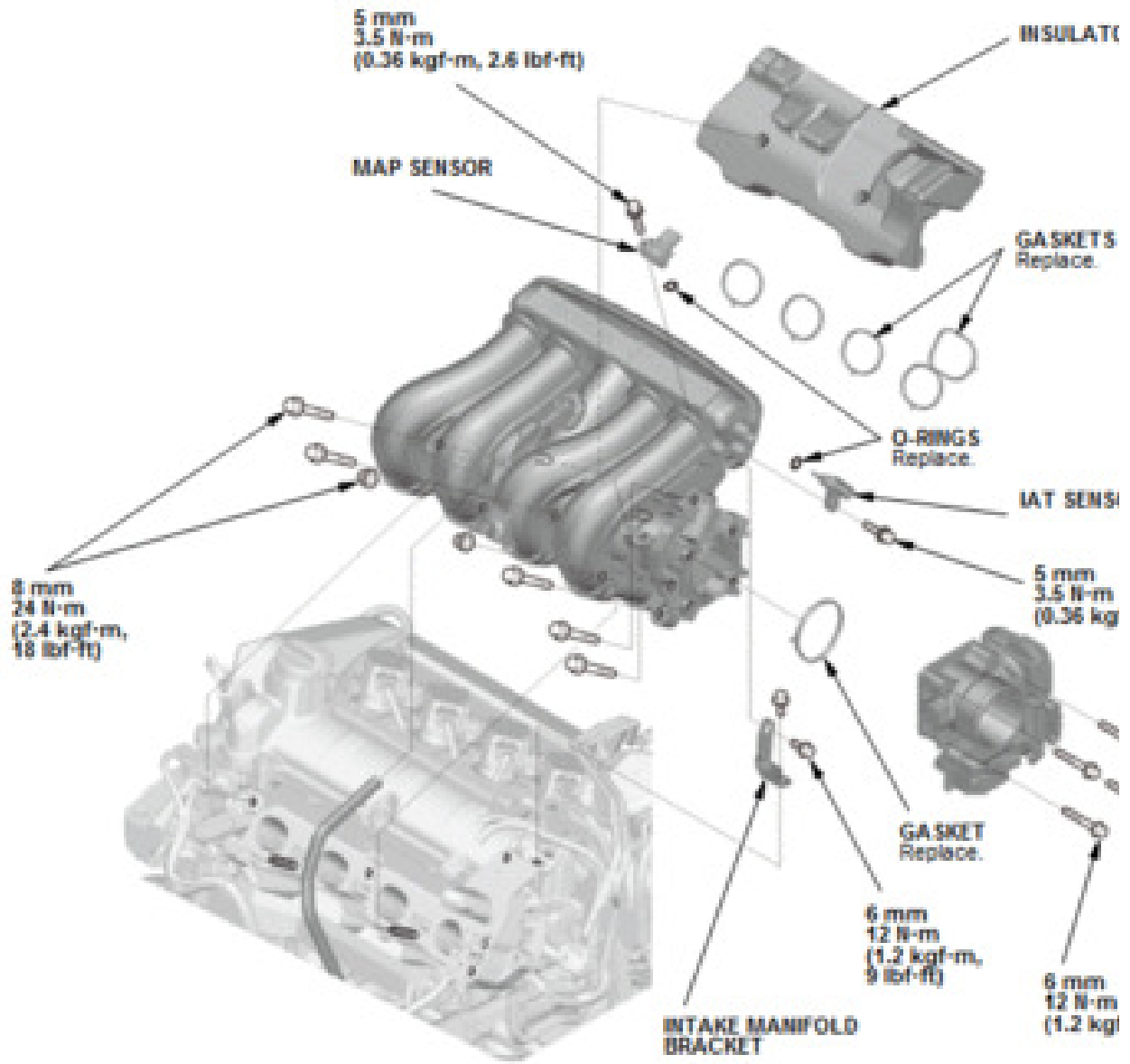
Int
Re
Ins

Feedback

Intak
Explo

1. Intake Manifold - Exploded View

Exploded View



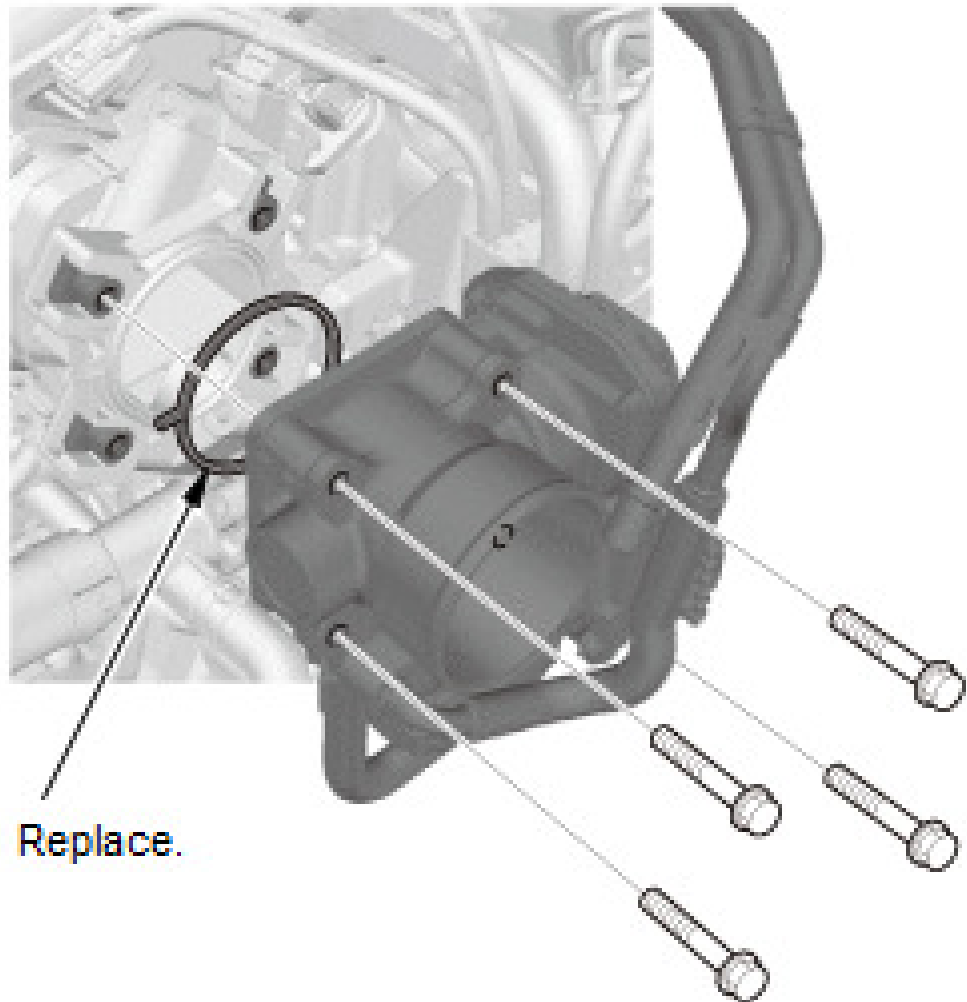
Feedback

Click to Enlarge

Removal

NOTE: Refer to the Exploded View if needed during procedure.

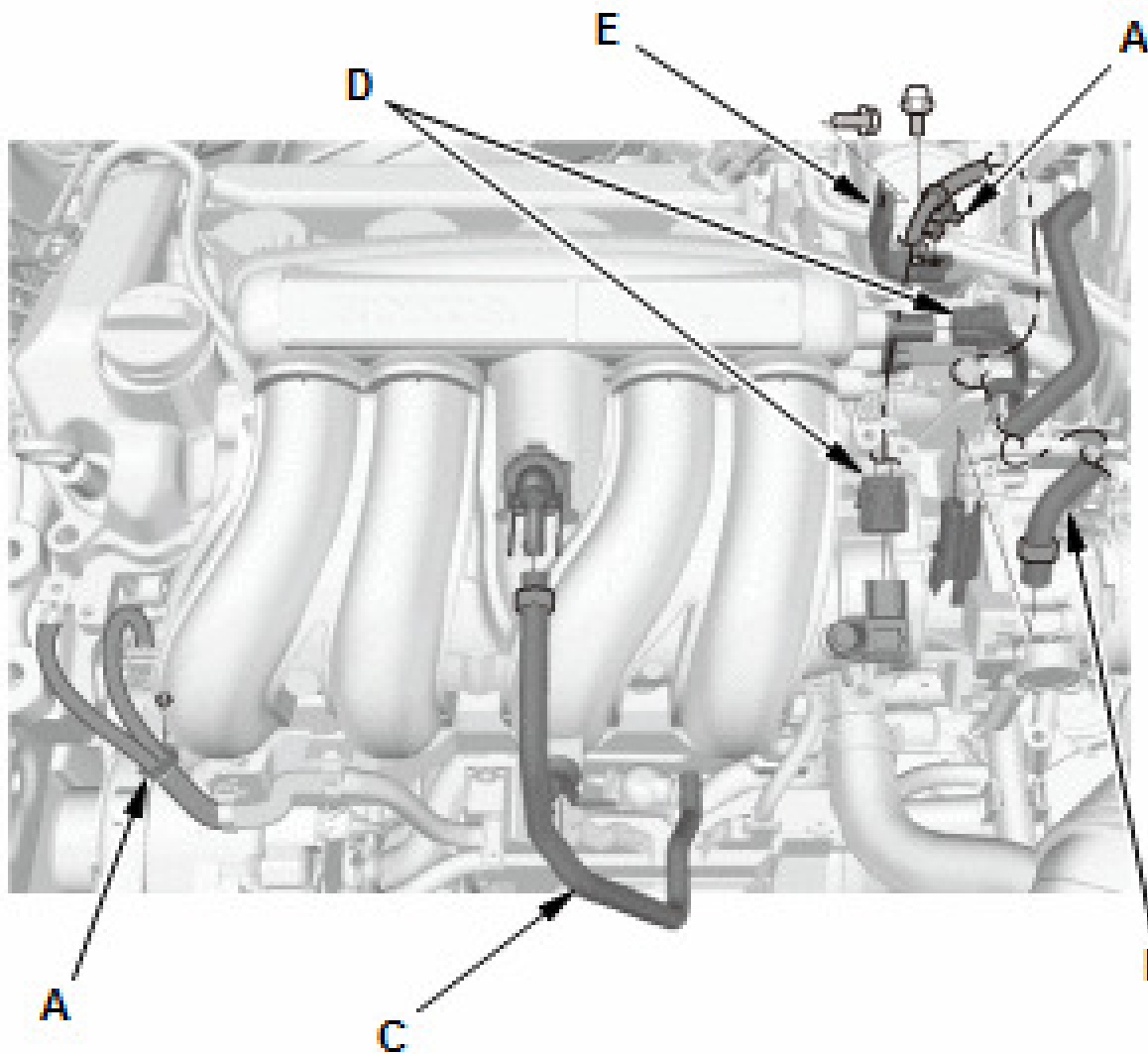
1. Air Cleaner - Remove
2. Throttle Body - Remove



Feedback

NOTE: Do not disconnect the water bypass r

3. Intake Manifold External Item - Remove



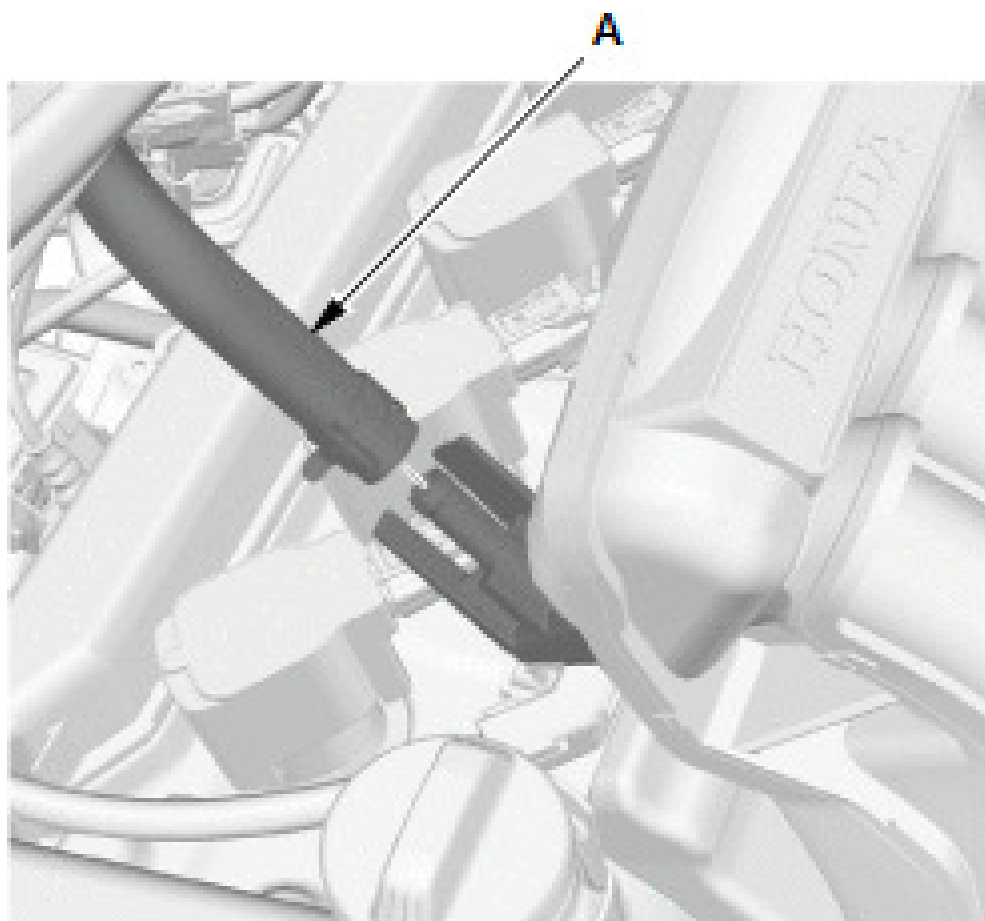
1. Remove the harness clamps (A).
2. Disconnect the EVAP canister purge va

Feedback

hose (B) and the PCV hose (C).

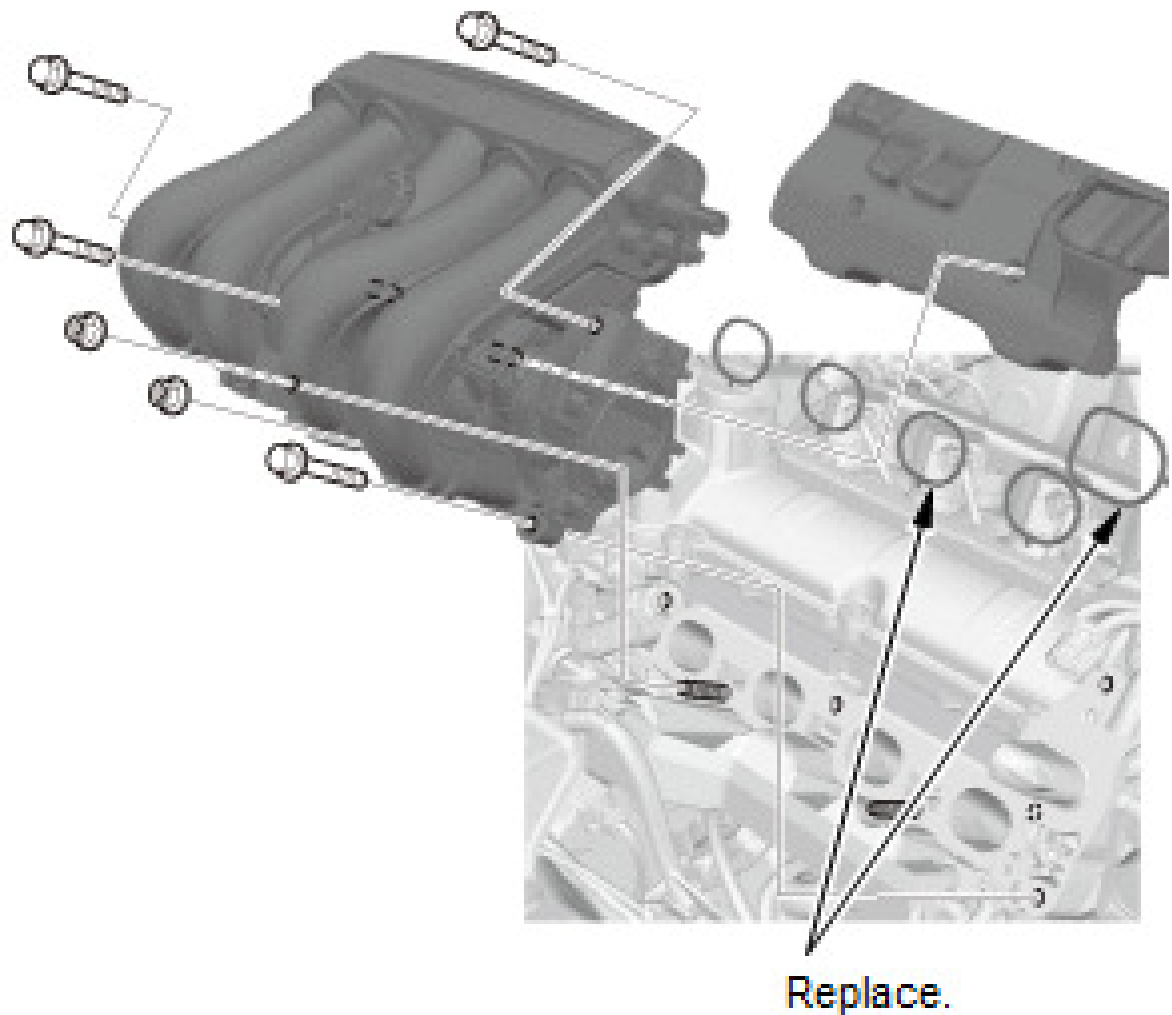
3. Disconnect the connectors (D).

4. Remove the intake manifold bracket (E)



5. Disconnect the brake booster vacuum line (A).

4. Intake Manifold - Remove

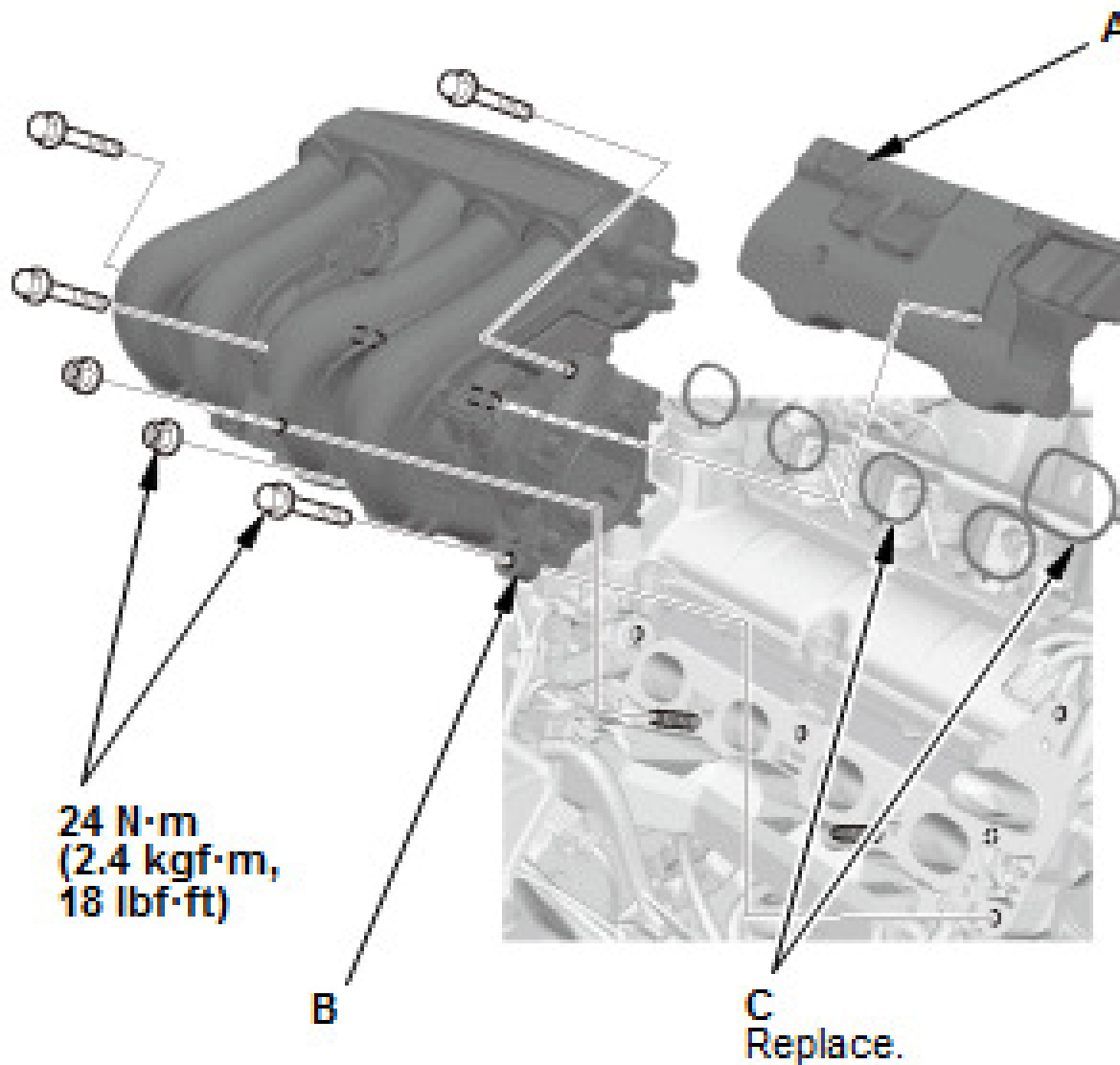


Feedback

Installation

NOTE: Refer to the Exploded View if needed during procedure.

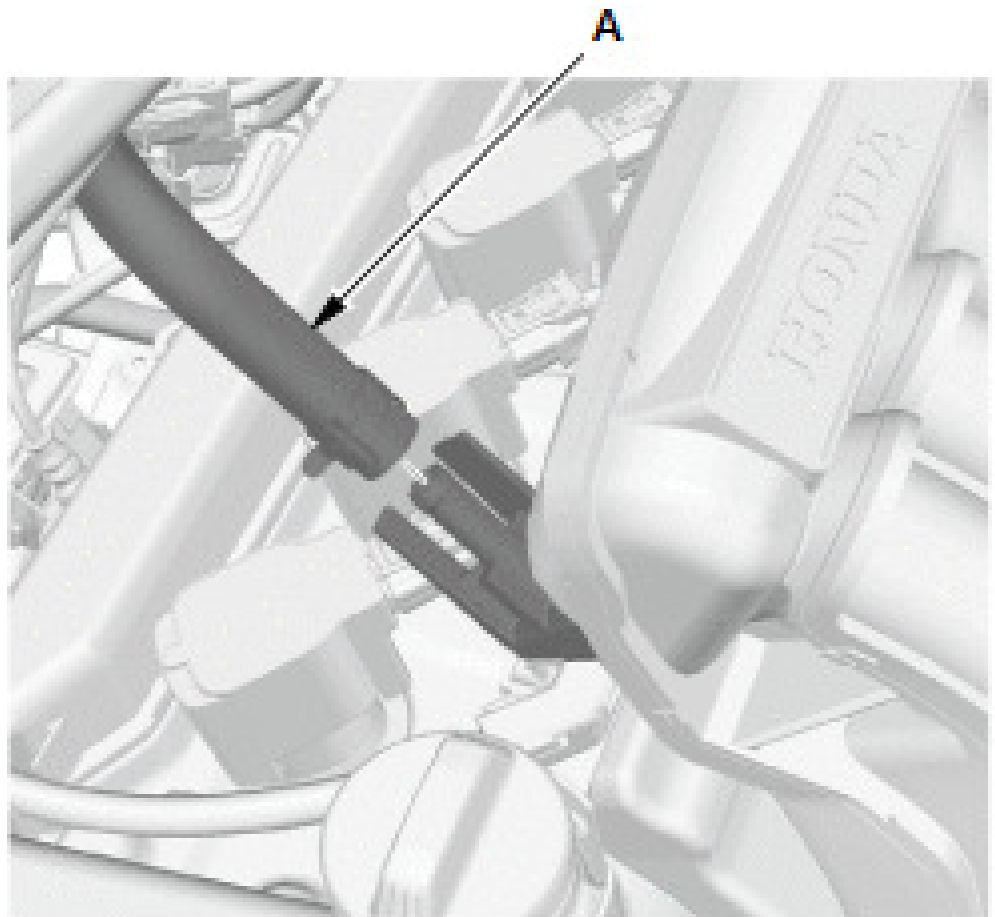
1. Intake Manifold - Install



1. Install the insulator (A).
2. Loosely install the intake manifold (B) v new gaskets (C).
3. Tighten the bolts/nuts in a cross pattern

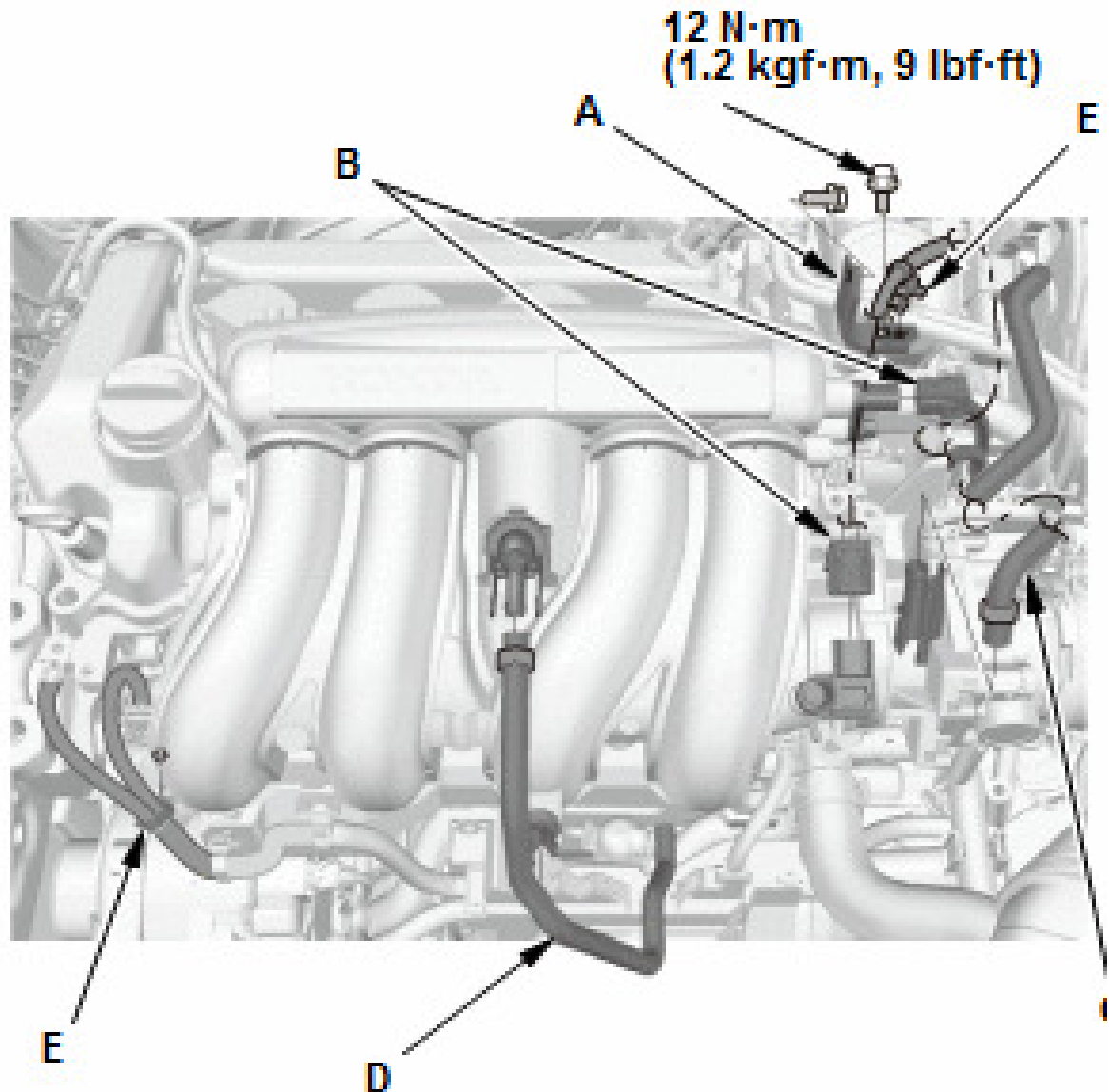
three steps; tighten the bolts/nuts until bolts/nuts sit on the intake manifold, tighten the bolts/nuts until the gasket is compressed and both parts are contacted, tighten the bolts to specified torque.

2. Intake Manifold External Item - Install



Feedback

1. Connect the brake booster vacuum hoses



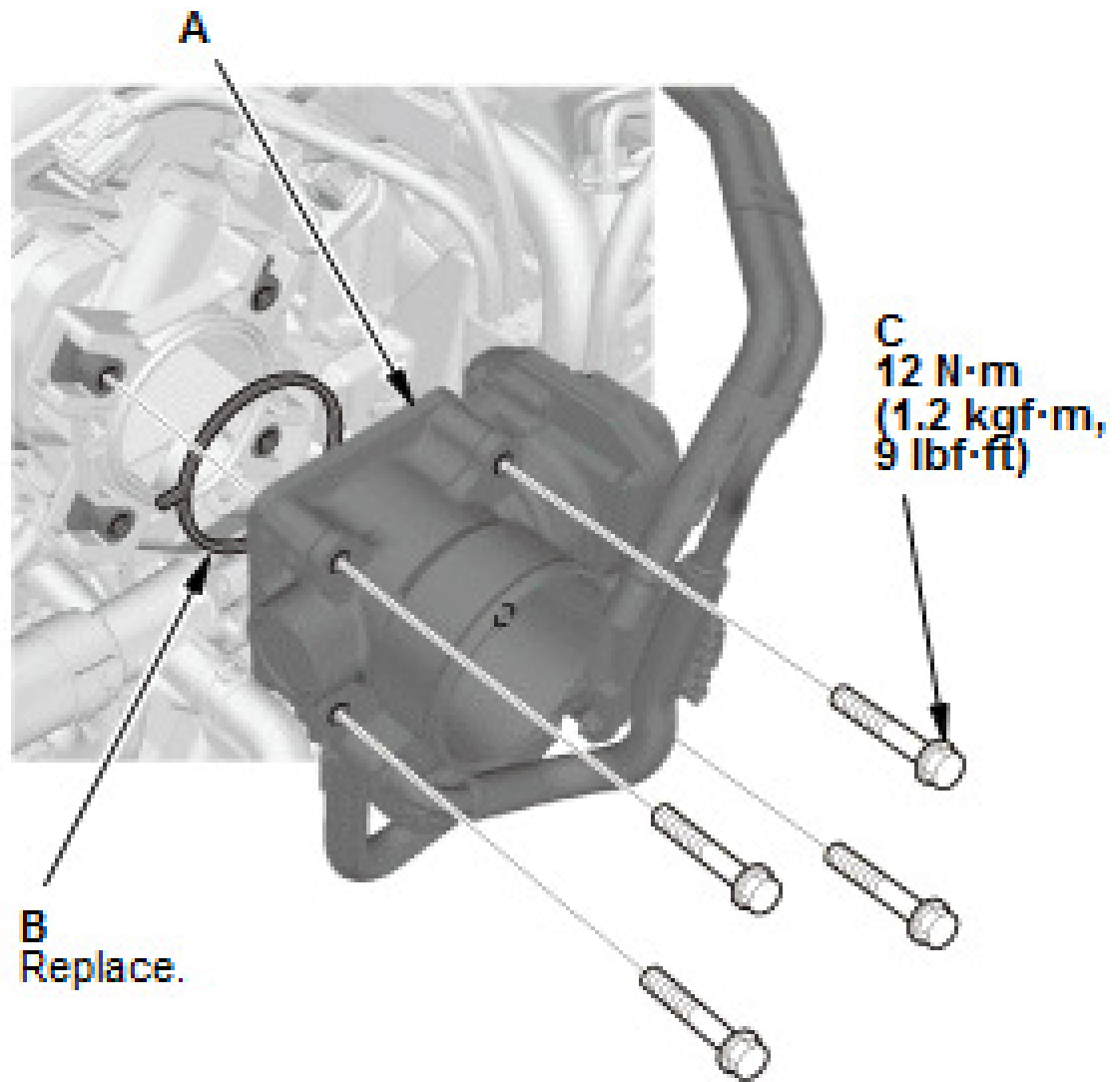
2. Install the intake manifold bracket (A).
3. Connect the connectors (B).
4. Connect the EVAP canister purge valve

Feedback

(C) and the PCV hose (D).

5. Install the harness clamps (E).

3. Throttle Body - Install



1. Install the throttle body (A) with a new gasket (B).

(B).

2. Tighten the bolts (C) in a cross pattern three steps; tighten the bolts until the bolts sit on the throttle body, tighten the bolts until the gasket is compressed and both parts contacted, tighten the bolts to specified torque.

4. Air Cleaner - Install

(/lh/Home/Index/mwell8sJBx42dOff__uFBu

Terms and Conditions (<http://www.cengage>

Privacy Statement (<http://www.cengage.com>

Contact Us (<http://www.cengage.com/contact>



Feedback