

CHILTON[®]LIBRARY

Your Current Vehicle: 2015 Honda Fit

Rate this article: ★ ★ ★ ★ ★

Igr
Plu
Ins

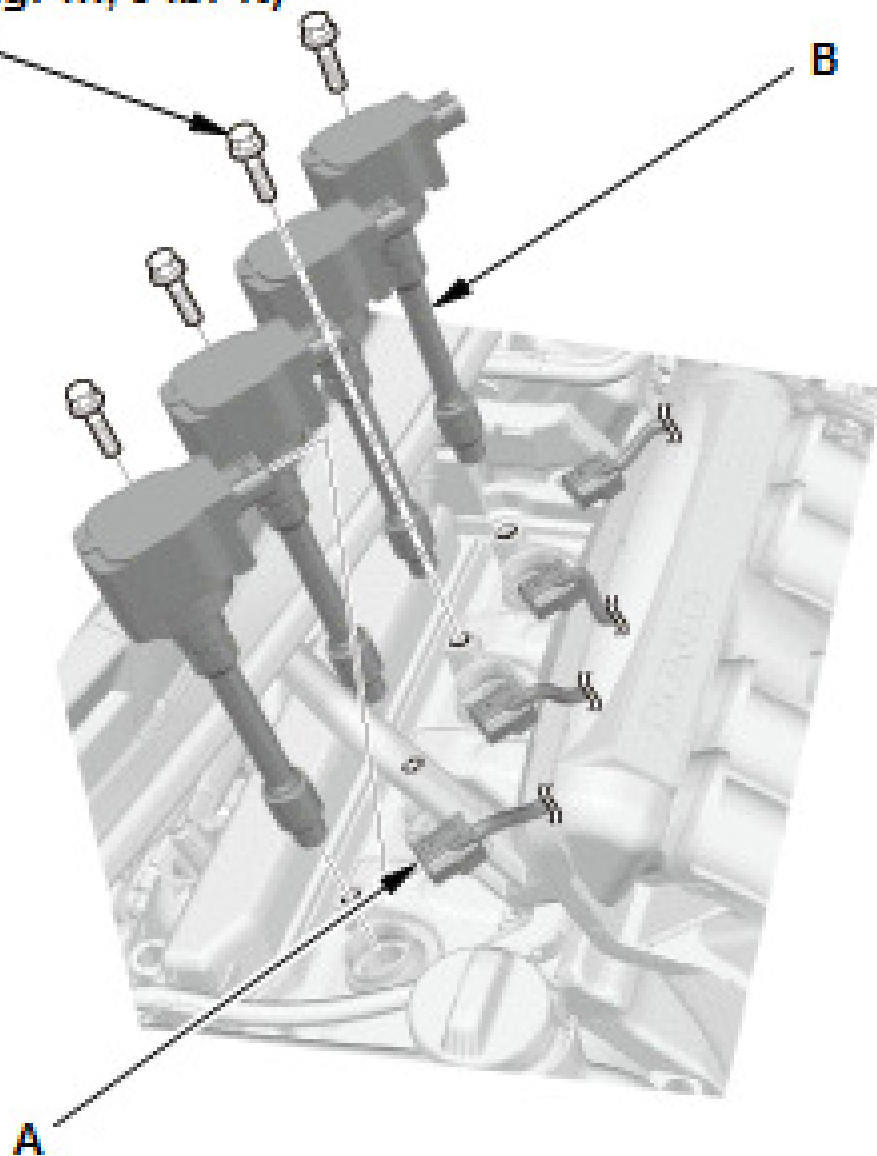
Feedback

Ignitic
Instal

Removal/Installation

1. Ignition Coil - Remove

12 N·m
(1.2 kgf·m, 9 lbf·ft)



1. Disconnect the connectors (A).

Feedback

2. Remove the ignition coils (B).

2. Spark Plug - Remove

22 N·m
(2.2 kgf·m, 16 lbf·ft)



Feedback

3. All Removed Parts - Install

1. Install the parts in the reverse order of removal.

NOTE: When the spark plugs installing apply a small amount of anti-seize compound to the spark plug threads, a screw the spark plugs into the cylinder finger-tight, then tighten the spark plug the specified torque.

4. Maintenance Minder - Reset (With Maintenance Minder System)

1. If the Maintenance Minder required to replace the spark plugs, reset the Maintenance Minder with the gauge (see "Resetting the Maintenance Minder").

Copyright ©2018 by Chilton, an imprint of
Cengage Learning

[\(/lh/Home/Index/mwell8sJBx42dOff__uFBu](#)

[Terms and Conditions \(http://www.cengage](http://www.cengage)

[Privacy Statement \(http://www.cengage.com](http://www.cengage.com)

[Contact Us \(http://www.cengage.com/contact](http://www.cengage.com/contact)



Feedback