

Rate this article: ★★★★★
Your Current Vehicle: 2015 Honda Fit

Rear Hub Bearing Unit Removal and Installation

NOTE

Applicable vehicles:

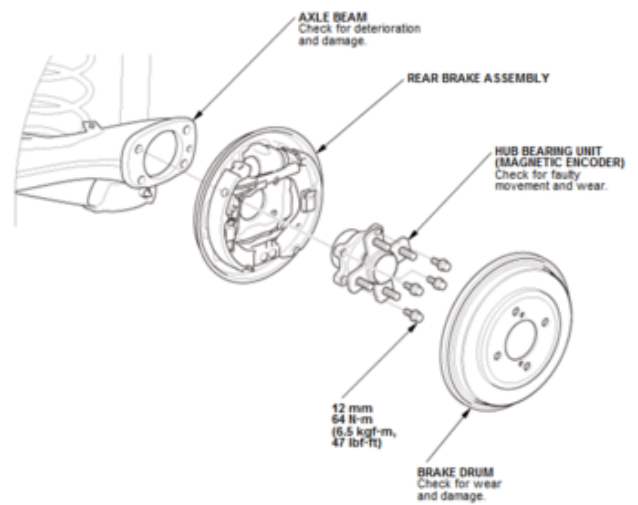
- 2015-16 Honda FIT

Rear Hub Bearing Unit Removal and Installation

Exploded View

1. Hub Bearing Unit - Exploded View

Exploded View



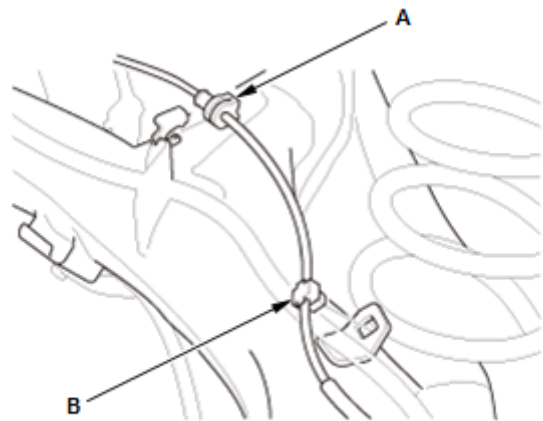
Click to Enlarge

Feedback

Removal/Installation

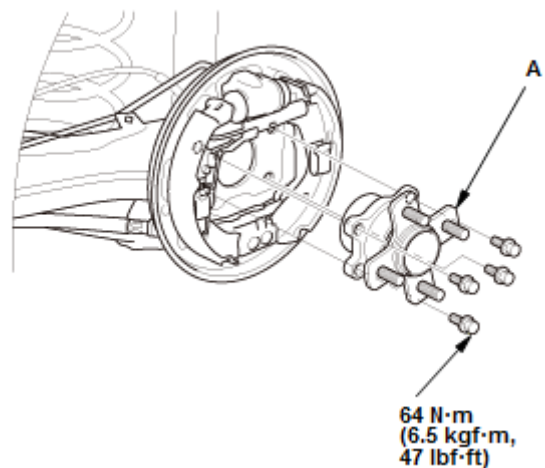
NOTE: Refer to the Exploded View as needed during the following procedures.

1. Vehicle - Lift
2. Rear Wheel - Remove
3. Parking Brake - Release
4. Brake Drum - Remove
5. Rear Wheel Speed Sensor Wire - Remove



1. Remove the wheel speed sensor wire guide rubber (A) and the clip (B).

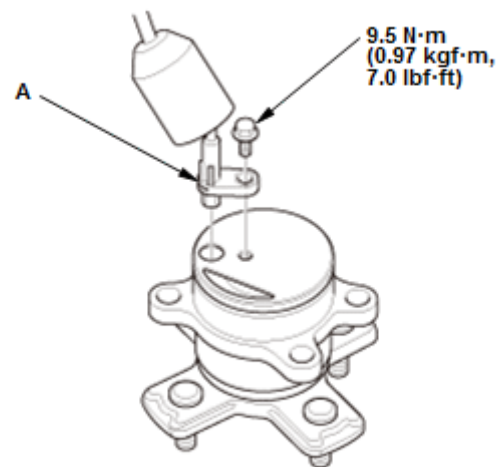
6. Hub Bearing Unit - Remove



1. Remove the **hub** bearing unit (A).

NOTE:

- Be careful not to damage the rear wheel speed sensor harness.
- Be careful not to damage the brake line.
- Keep the wheel bearing/encoder away from any magnetic field. The encoder can be damaged or erased.



2. Remove the wheel speed sensor (A).

7. All Removed Parts - Install

1. Install the **hub** bearing unit in the reverse order of removal.

Copyright ©2019 by Chilton, an imprint of Cengage Learning

[\(/lh/Home/Index/mwellMop-f2qIfPQQXjdmm1qKv1MK_X-vUKltyxVFYqCMwS81\)Home](#)

[Terms and Conditions \(/www.cengage.com/content/footer/terms_of_use.aspx\)](#)

[Privacy Statement \(/www.cengage.com/content/footer/privacy_statement.aspx\)](#)

[Contact Us \(/www.cengage.com/contact/\)](#)

