

# CHILTON<sup>®</sup>LIBRARY

Your Current Vehicle: 2015 Honda Fit

Rate this article: ★ ★ ★ ★ ★

## Removal and Installation

### NOTE

Applicable vehicles:

- 2015-16 Honda FIT

### Front **Bumper** Removal and Installation

#### Removal/Installation

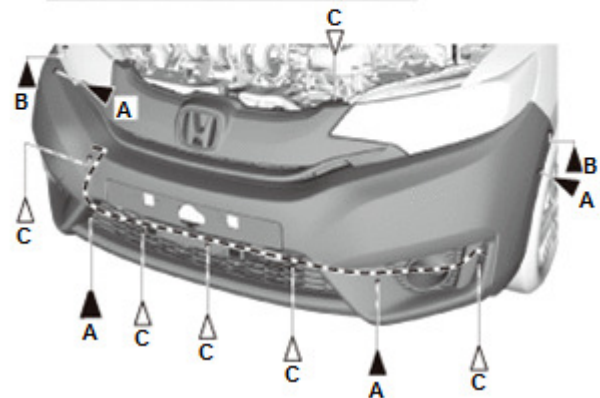
1. Front Grille Cover - Remove
2. Intake Air Duct - Remove
3. Front **Bumper** - Remove

#### Fastener Locations

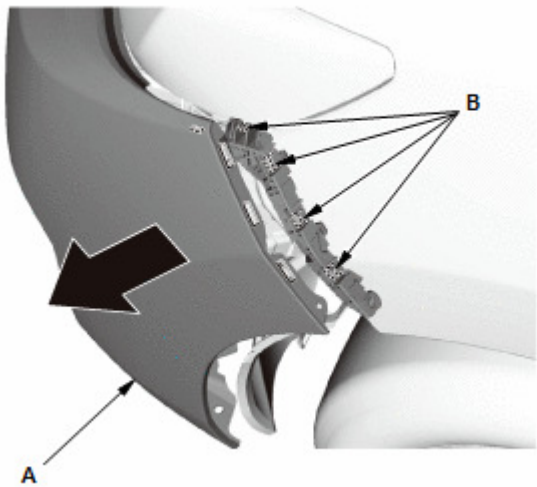
A ▶ : 4

B ▶ : 2

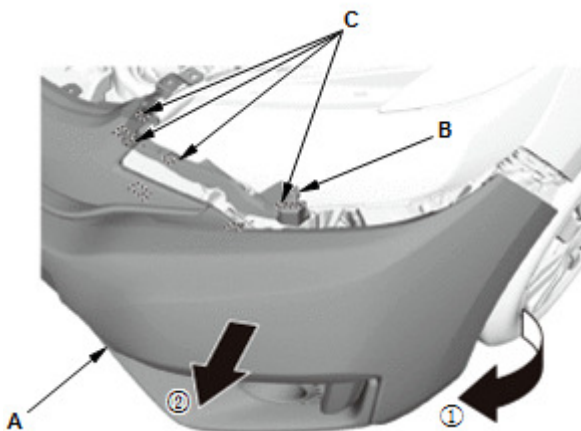
C ▷ : 6



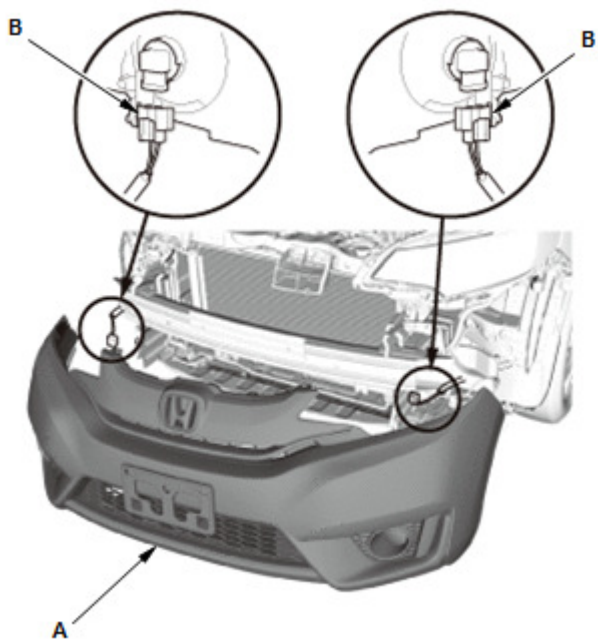
1. Remove the screws (A, B), and the clips (C).



2. Pull out the front **bumper** (A) at the wheel arch area to release it from the hooks (B) on the side spacer.



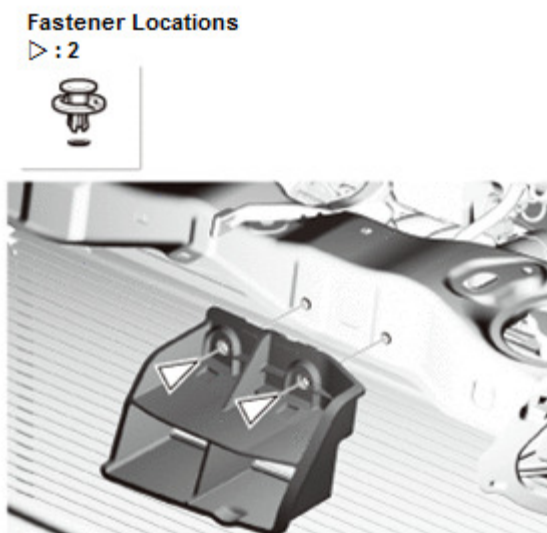
3. With the help of an assistant, while pulling the front **bumper** (A) away from the side spacer (B), release the **bumper** from the hooks (C) on the upper beam.



4. With front fog light: With the help of an assistant, while holding the front **bumper** (A), disconnect the connectors (B).

5. Remove the front **bumper**.

4. Splash Separator - Remove



5. All Removed Parts - Install

1. Install the parts in the reverse order of

Feedback

removal.

Copyright ©2018 by Chilton, an imprint of Cengage Learning

(/lh/Home/Index/mwellgL3geEnW35fyrAZg2MN9HujwTelRFUSzv5MaPqj8KYQ1)Home

Terms and Conditions ([http://www.cengage.com/content/footer/terms\\_of\\_use.aspx](http://www.cengage.com/content/footer/terms_of_use.aspx))

Privacy Statement ([http://www.cengage.com/content/footer/privacy\\_statement.aspx](http://www.cengage.com/content/footer/privacy_statement.aspx))

Contact Us (<http://www.cengage.com/contact/>)

