

Your Current Vehicle: 2007 Honda Fit

Top

/ Heating, Ventilation, &amp; Air Conditioning

/ Compressor

/ Compressor Replacement

Rate this article: ★ ★ ★ ★ ★

# Compressor Replacement

## NOTE

Applicable vehicles:

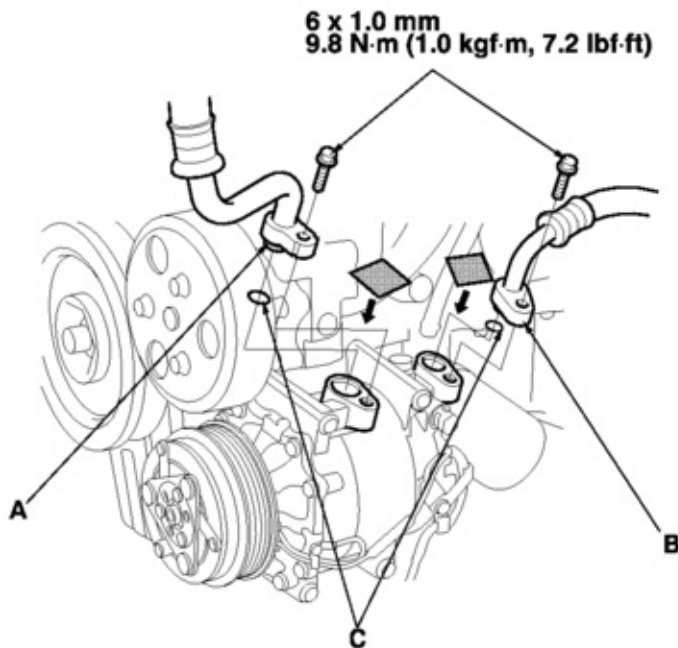
- 2007-08 Honda FIT; With A/C

## A/C Compressor Replacement

NOTE: Since the oil separator is equipped inside the A/C **compressor** for this vehicle, oil drainage is unnecessary at the time of A/C **compressor** replacement.

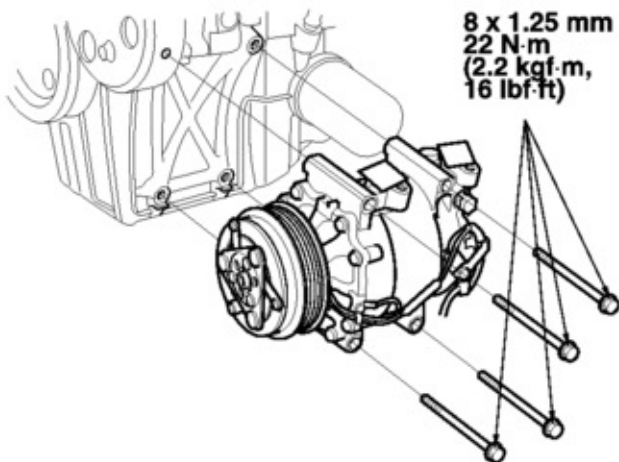
- If the A/C **compressor** is marginally operable, run the engine at idle speed, and let the air conditioning work for a few minutes, then shut the engine off.
- Make sure you have the anti-theft codes for the audio system.
- Disconnect the negative cable from the battery.
- Recover the refrigerant with a recovery/recycling /charging station.
- Remove the splash shield.
- Remove the drive belt.
- Remove the bolts, then disconnect the suction line (A) and the discharge line (B) from the A/C **compressor**, and remove the O-rings (C). Plug

or cap the lines immediately after disconnecting them to avoid moisture and dust contamination.



[Click to Enlarge](#)

- Remove the mounting bolts and the **A/C compressor**.



[Click to Enlarge](#)

- Install the **A/C compressor** in the reverse order of removal, and note these items:
  - Replace the O-rings with new ones at each fitting, and apply a thin coat of

refrigerant oil before installing them. Be sure to use the right O-rings for HFC-134a (R-134a) to avoid leakage.

- Use refrigerant oil (SP-10) for HFC-134a spiral type **compressor** only.
- To avoid contamination, do not return the oil to the container once dispensed, and never mix it with other refrigerant oils.
- Immediately after using the oil, reinstall the cap on the container, and seal it to avoid moisture absorption.
- Do not spill the refrigerant oil on the vehicle; it may damage the paint; if the refrigerant oil contacts the paint, wash it off immediately.
- Charge the system.
- Enter the anti-theft codes for the audio system.
- Set the clock.

Copyright ©2018 by Chilton, an imprint of Cengage Learning

(/lh/Home/Index/mwelle5s2awiBV4jE\_i4CWPOAnlj1NWnXz3KqAHeiCdXdOwk1)Home

Terms and Conditions ([http://www.cengage.com/content/footer/terms\\_of\\_use.aspx](http://www.cengage.com/content/footer/terms_of_use.aspx))

Privacy Statement ([http://www.cengage.com/content/footer/privacy\\_statement.aspx](http://www.cengage.com/content/footer/privacy_statement.aspx))

Contact Us (<http://www.cengage.com/contact/>)



Feedback