

CHILTON[®]**LIBRARY**

Your Current Vehicle: 2009 Honda Fit

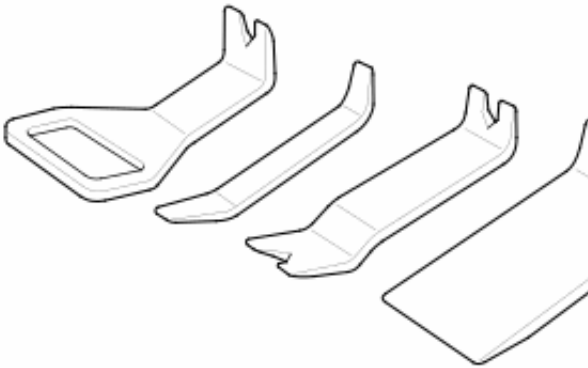
Rate this article: ★ ★ ★ ★ ★

He
Re

Feedback

Head

Spec

Name	No	Illustration
KTC Trim Tool Set	SOJATP2014	 <p data-bbox="1110 884 1560 947">Click to Enlarge</p>
<p>*Available through the Honda Tool and Equipment Program; call 888-424-6857</p>		

Feedback

SRS components are located in this area. Review the SRS component locations and the precautions and procedures before doing repairs or service.

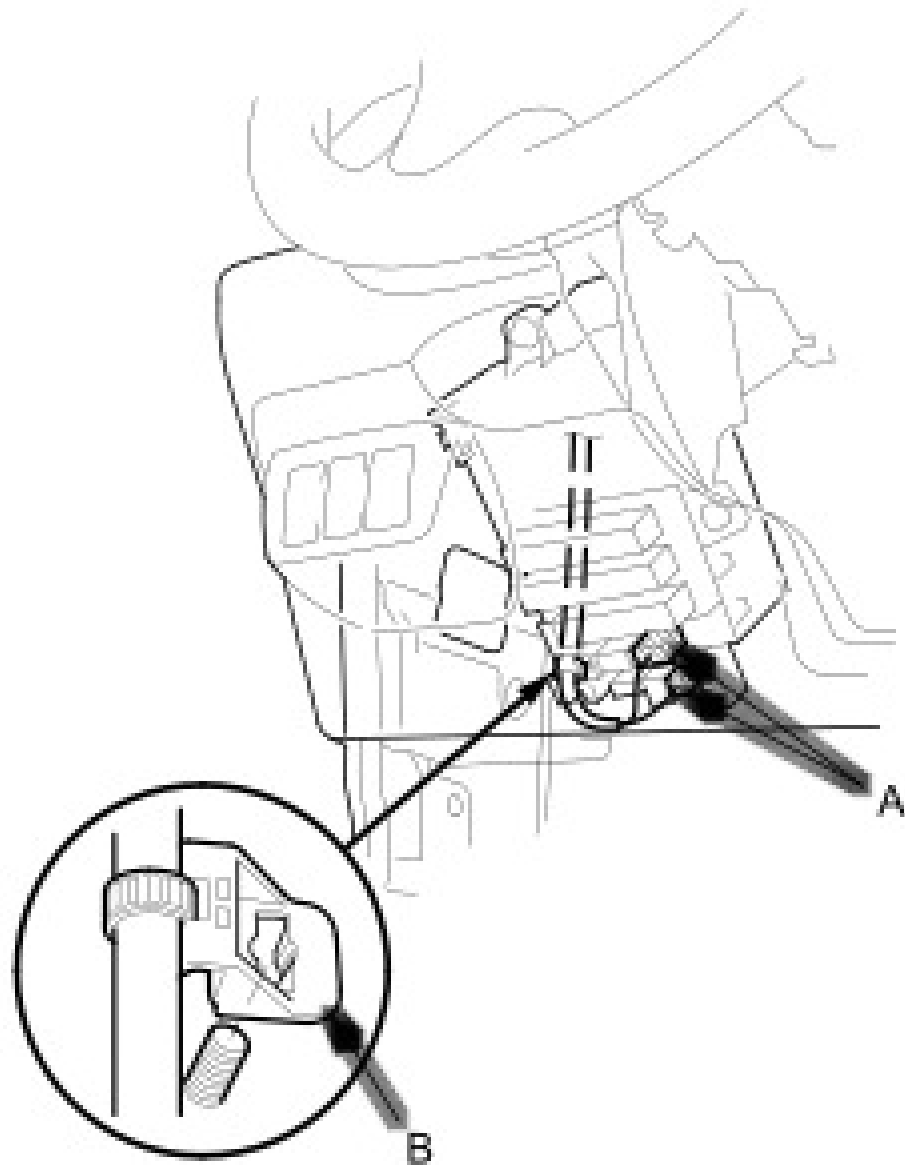
NOTE:

- Put on gloves to protect your hands.

- Take care not to bend or scratch the trim and panels.
 - Use the appropriate tool from the KTC trim to to avoid damage when removing components
 - Be careful not to damage the dashboard or c interior trim.
1. Do the battery terminal disconnection proced then wait at least 3 minutes before beginning work.
 2. Remove these items:
 - Driver's dashboard undercover
 - A-pillar trim, both sides
 - Kick panels, both sides
 - Front door sill trim, both sides

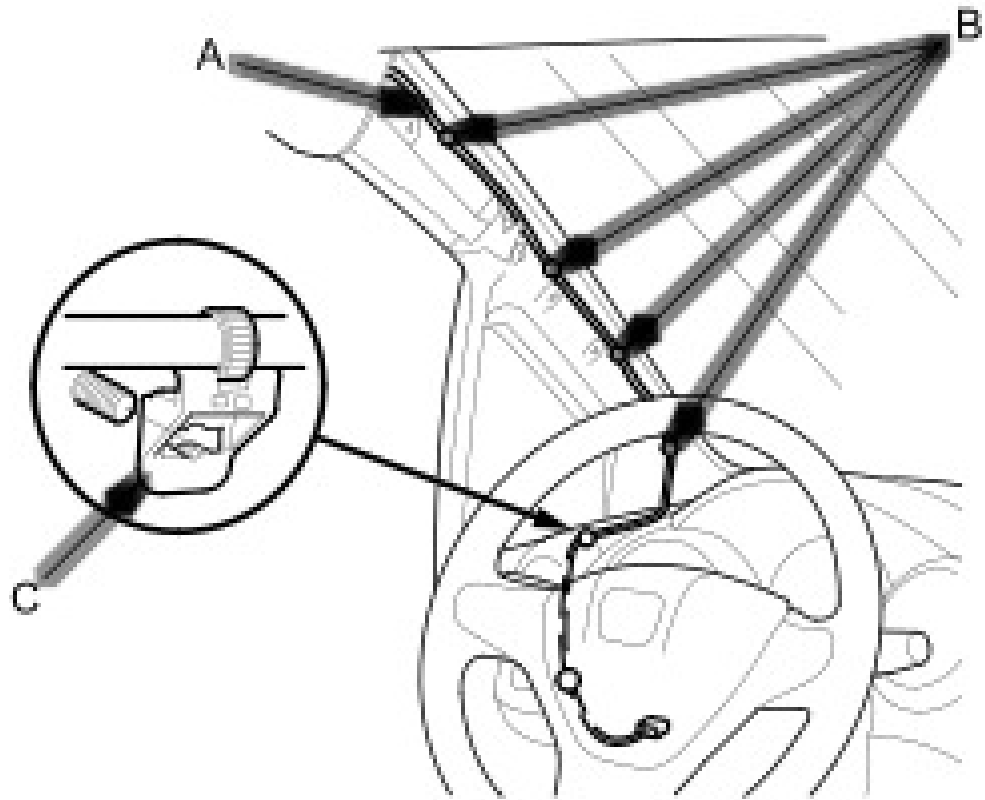
- Rear door sill trim, both sides
- Front door inner seal, as needed
- Rear door inner seal, as needed
- B-pillar upper/lower trim, both sides
- Tailgate weatherstrip, as needed
- Cargo area side trim panel, as needed
- Quarter pillar trim, both sides
- Individual map light, for some models:
 - With navigation
 - Without navigation
- Ceiling light
- Sunvisors, both sides
- Grab handles, four places

3. From under the driver's dash, disconnect the wire harness connectors (A), and detach the harness clip (B).

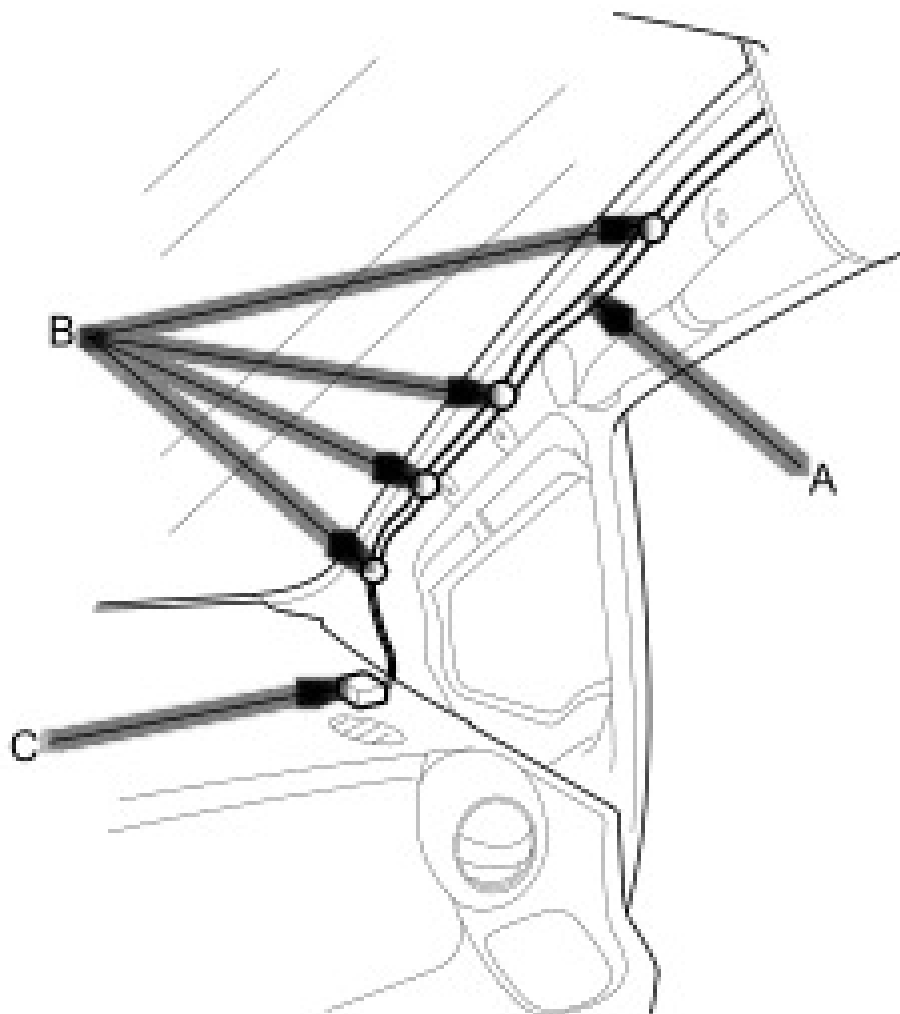


4. Remove the roof wire harness (A) by detachii

harness clips (B, C) from the driver's side A-pillar

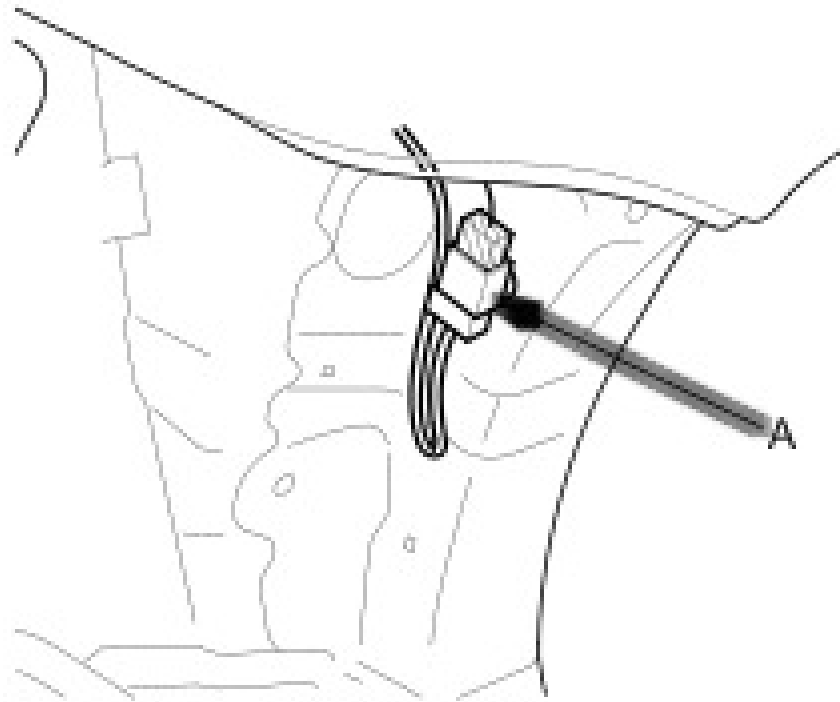


5. Remove the antenna lead (A) by detaching the harness clips (B) from the passenger's side A-pillar, and disconnecting the antenna lead connector (C).



6. Disconnect and detach the antenna lead connector (A) from the right C-pillar area.

Feedback

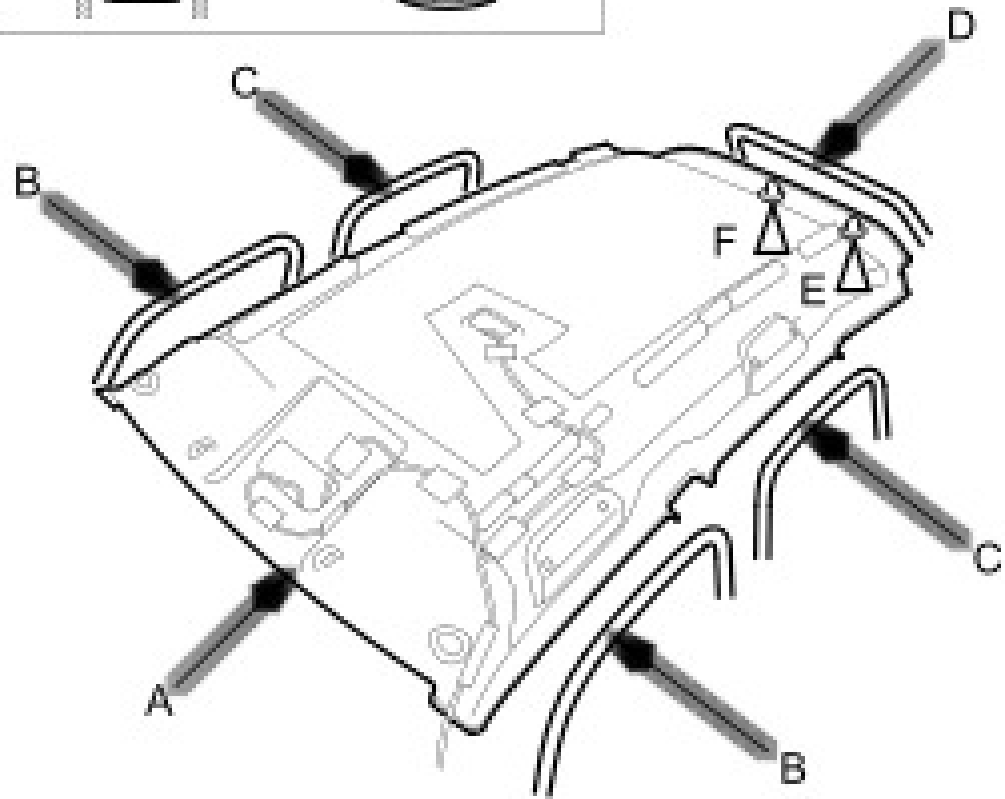


7. Lower the **headliner** (A).

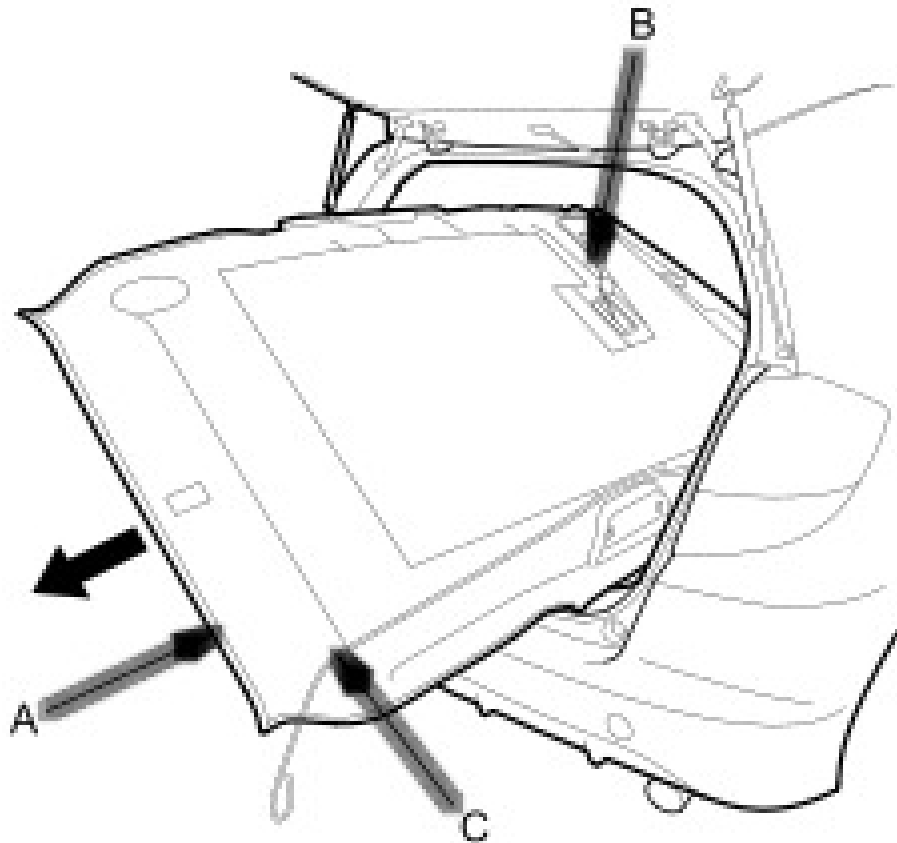
1. Remove the front door inner seals (B), the rear door inner seals (C), and the tailgate weatherstrip (D) from each roof portion.
2. With the help of an assistant, detach the clips (E, F) by pulling the rear portion of the **headliner** down.
3. Lower the **headliner**.

Fastener Locations

E ▷ : Clip, 1 (Gray) F ▷ : Clip, 1



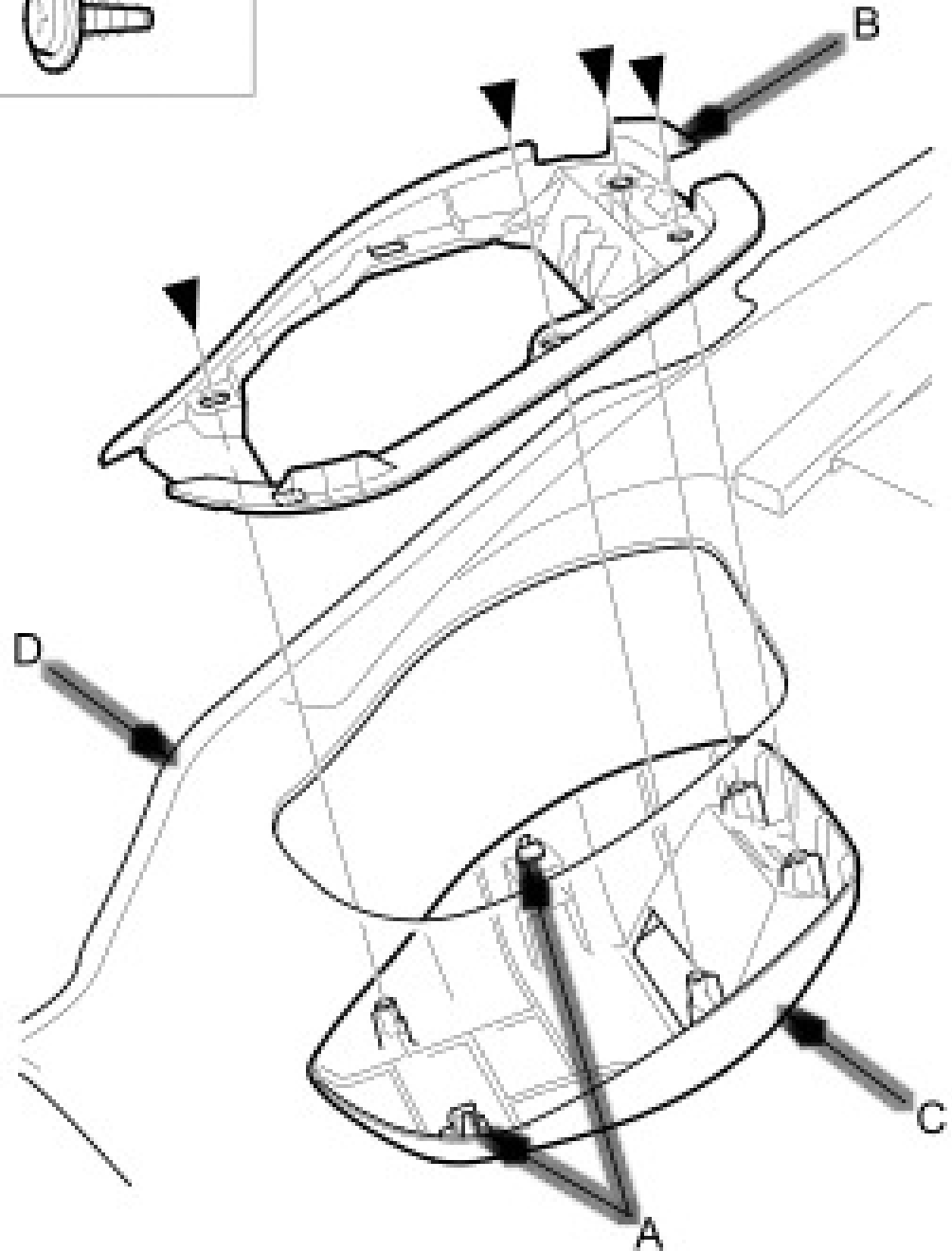
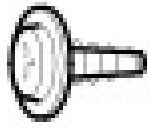
8. With the help of an assistant, pull the **headliner** (A) with the roof wire harness (B) and the antenna lead (C) out through the tailgate opening. Do not bend the **headliner**. Bending the **headliner** will create a crease and damage it.



9. Remove the screws, and release the hooks (A), then remove the retractor cover bracket (B) and the retractor cover (C) from the **headliner (D)**.

Fastener Locations

▶ : Screw, 4



Feedback

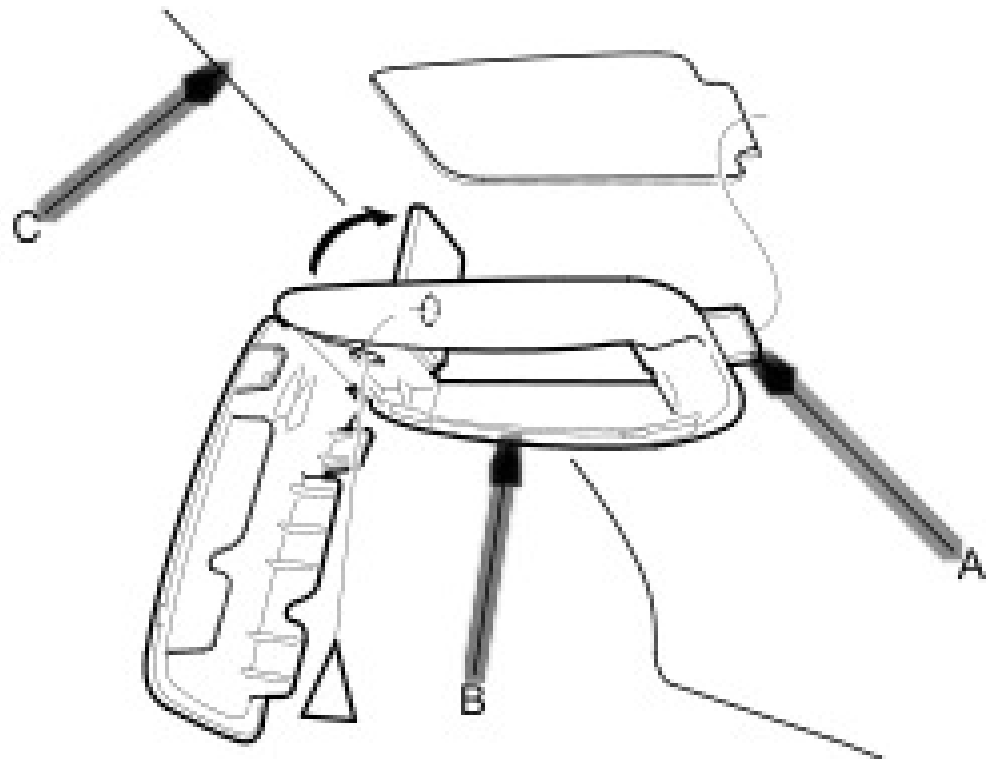
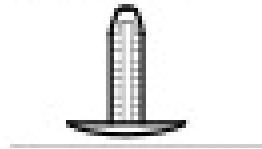
10. Remove the clip and release the hook (A), then remove the tether anchor cover (B) from the

[Click to Enlarge](#)

headliner (C).

Fastener Location

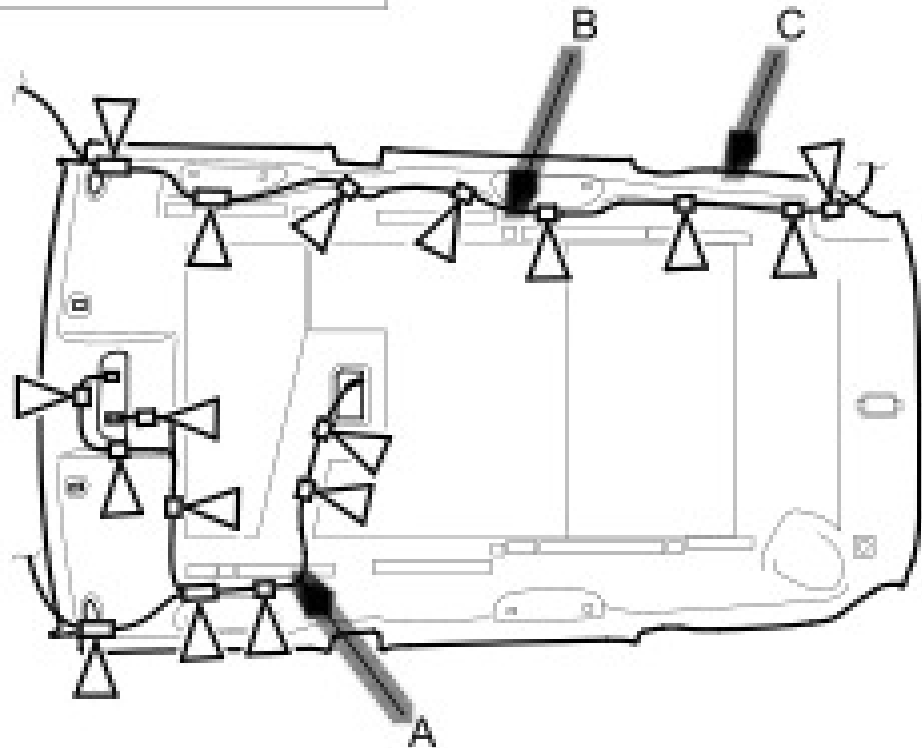
▷ : Clip, 1



11. Remove the cushion tapes, then remove the wire harness (A) and the antenna lead (B) from headliner (C).

Fastener Locations

▷ : Cushion tape, 17

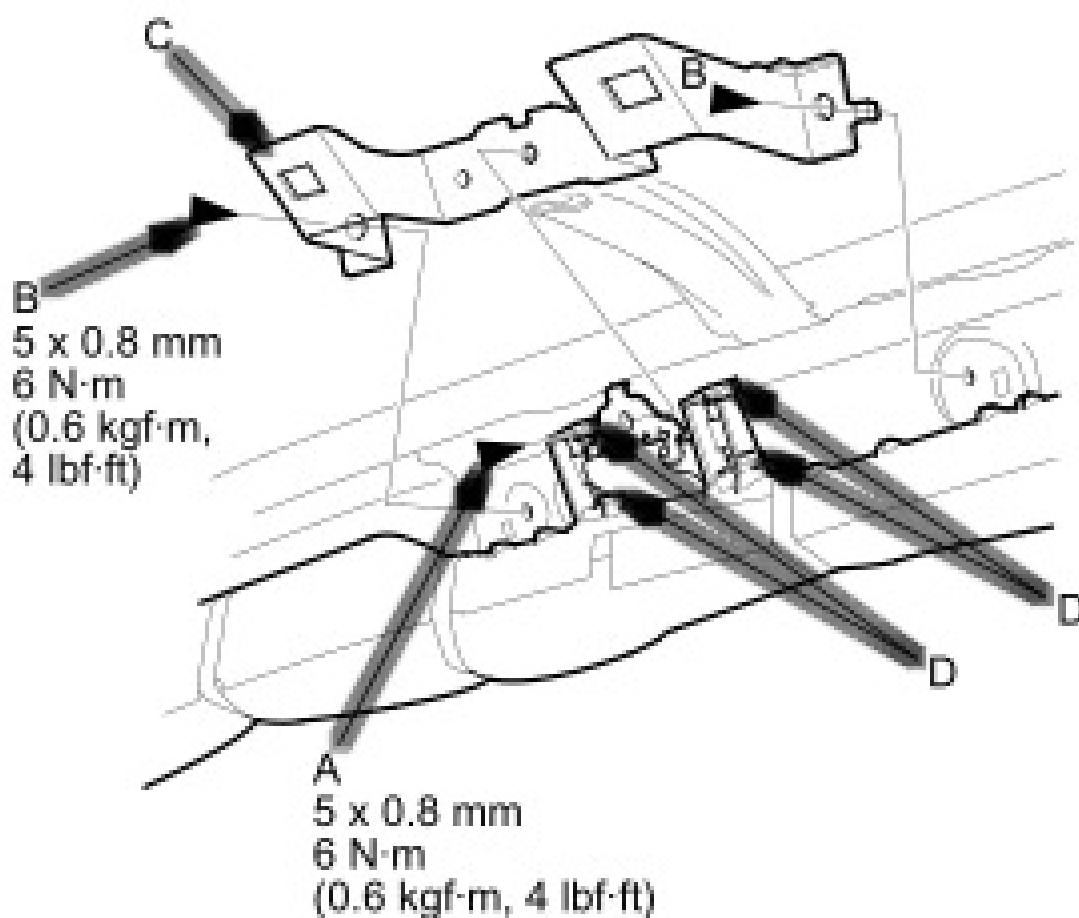
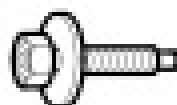


12. Remove the grab handle bracket mounting b and the side curtain airbag mounting bolt (B) remove the rear grab handle bracket (C) from side by releasing the hooks (D).

Feedback

Fastener Locations

A ► : Bolt, 1 B ► : Bolt, 2



13. Install the **headliner** in the reverse order of removal, and note these items:

- If the side curtain airbag has deployed, replace the **headliner** and the designat

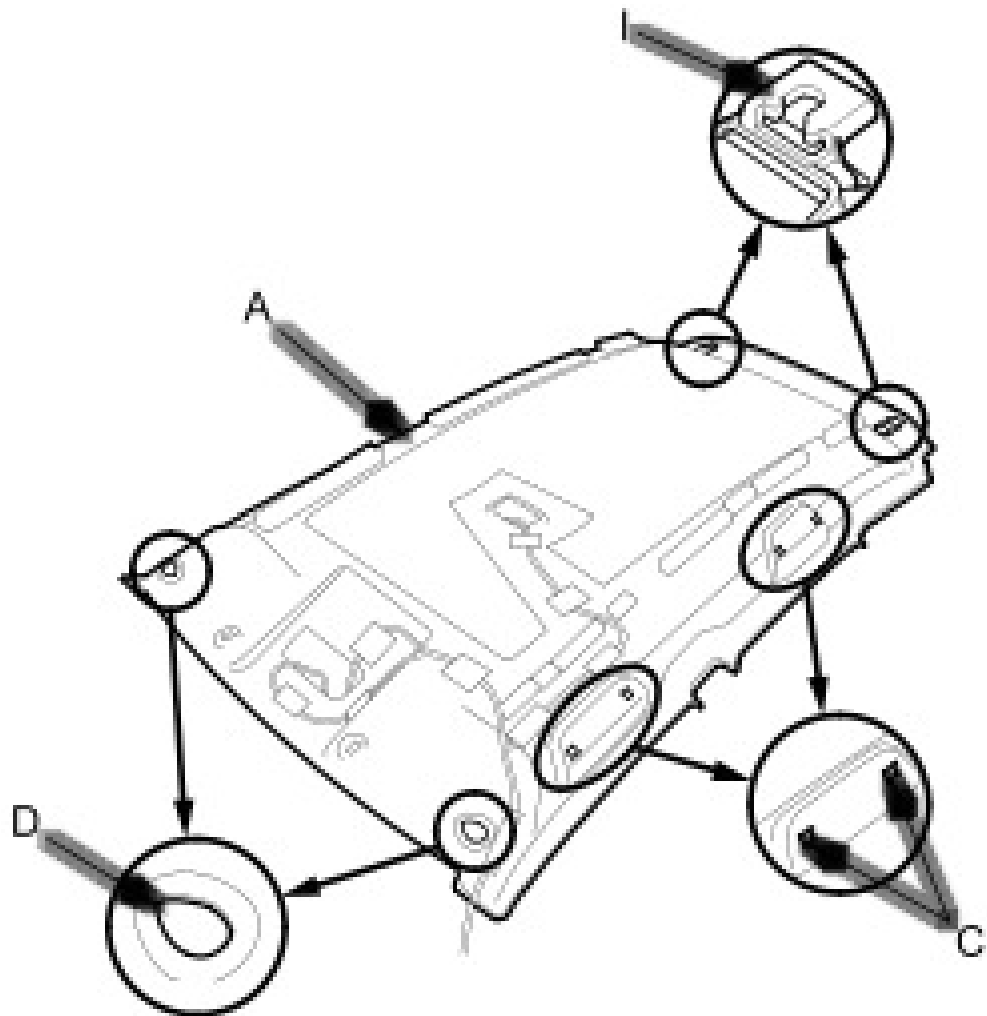
trim pieces, along with the other parts I for side curtain airbag deployment.

- If the side curtain airbag has not deployed, inspect the removed parts for damage. Damaged interior trim may cause the side curtain airbags to deploy improperly, possibly causing injury. Replace the damaged interior trim if you find any of these problems:
 - Any crease or tears in the **headliner** (A)
 - Any cracks or breakage in the grab handle (B)
 - Any damage around the grab handle hole (C) or sunvisor holes (D) in the **headliner**
 - Any cracks in the sunvisor stay base (E)
 - Any bends or cracks in the sunvisor stay shaft (F)

- Any cracks in the sunvisor base (G)
- Any cracks or breakage in the vanity mirror base (H)
- Any clip bases (I) that have come off the **headliner**
- Install the grab handle by pushing on the handle against the bracket (J) until the (K) snap into place securely.
- If the clips are damaged or stress-white replace them with new ones.
- Replace the removed cushion tape with pieces.
- Check that both sides of the **headliner** securely attached to the body.
- Make sure the **headliner** overlaps the t

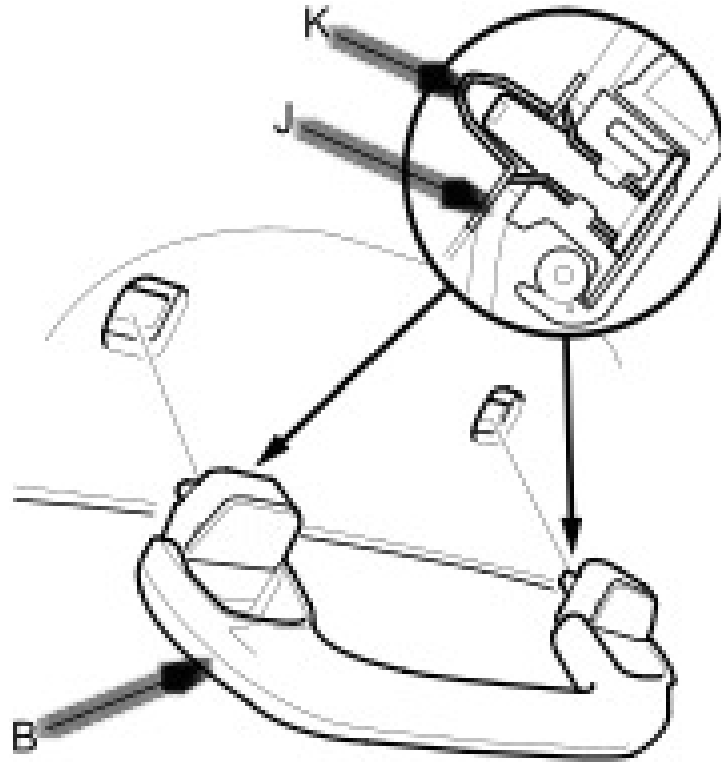
pieces correctly.

- Be careful not to crease the **headliner**, scratch the body, as you remove and in the **headliner** through the tailgate oper
- Do the battery terminal reconnection procedure.



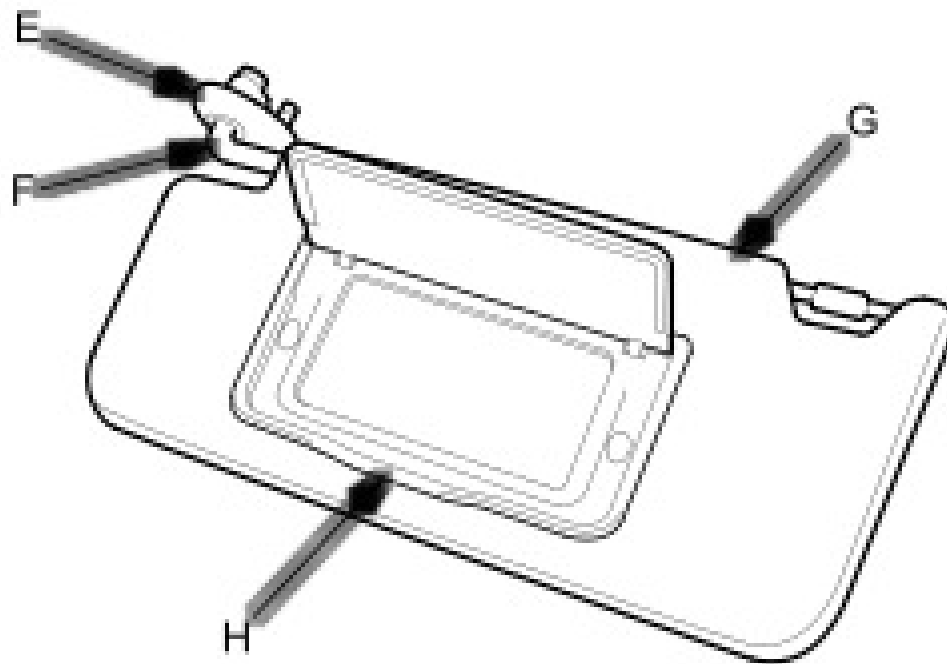
Feedback

Headliner



Grab handle

Feedback



Sunvisor

Feedback

Copyright ©2018 by Chilton, an imprint of Cengage Learning

(/lh/Home/Index/mwellqo1gIH9eLjlzIC3f5Bl

Terms and Conditions (<http://www.cengage.com/terms-and-conditions>)

Privacy Statement (<http://www.cengage.com/privacy>)

Contact Us (<http://www.cengage.com/contact>)



Feedback